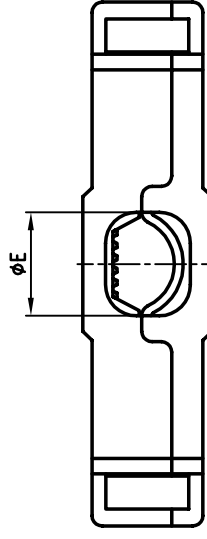
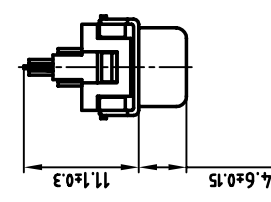
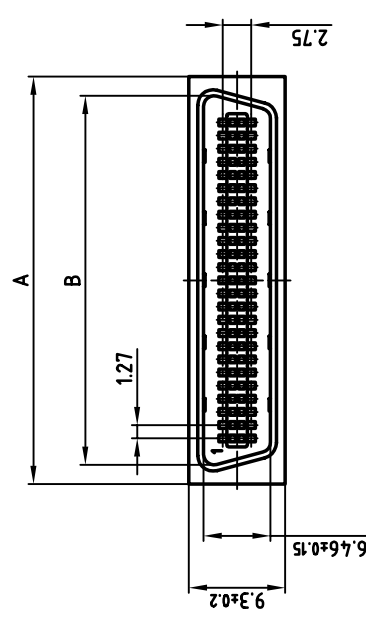
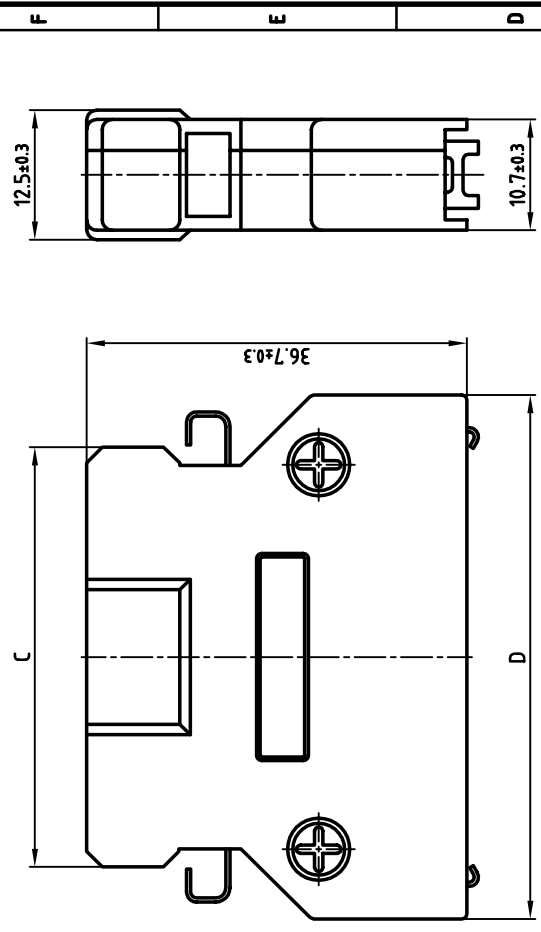


used for: SCSI II Micro Centronic Con.



SPECIFICATIONS:

- Connector:**
- Metalshell: Steel, Nickel Plated
- Contacts: Phosphor Bronze
- Contact Finish: Gold over Nickel
- Current Rating: 1 Amp
- Contact Resistance: 30m Ohm max.
- Insulating Resistance: 500m Ohm min.
- Withstanding Volt: 250 VAC / 1 minute
- Insulator: PBT UL 94 V-0
- Operating Temperature: -55°C + 105°C
- Hood:**
- Hood: Zinc Alloy Die-Cast
- Latches: Phosphor Bronze, Nickel Plated

No. of pos.	A ^{+0.2}	B ^{+0.15}	C ^{+0.3}	D ^{+0.3}	ØE	Part No.
26	24.00	20.40	25.10	35.10	8-9	311A10099X
50	39.30	35.60	40.50	50.50	8-9	311A10109X
50	39.30	35.60	40.50	50.50	8-10	311A10119X
50	39.30	35.60	40.50	50.50	8.5-12	311A10129X

THIS DRAWING MAY NOT BE COPIED OR REPRODUCED IN ANY WAY, AND MAY NOT BE PASSED ON TO A THIRD PARTY WITHOUT WRITTEN PERMISSION.
 OWNERSHIP AND COPYRIGHT OF CONEC GMBH DO NOT ALTER CAD DRAWING BY HAND

tolerance	2:1	
material:	SEE SPECIFICATIONS	
title:	SCSI II Micro Centronic Connector	
name	Male Solder Type 26 and 50pos. Metal Hood	
date	2002	26.03.
drawn	E. Mickenbecker	
appd.	norm	
rev.	4-old	
dwg no:	AutoCAD 2000 DIN-A	
product no:	30K1A028	
sh:	3	
ish:	1/1	

CONEC

SEE TABLE