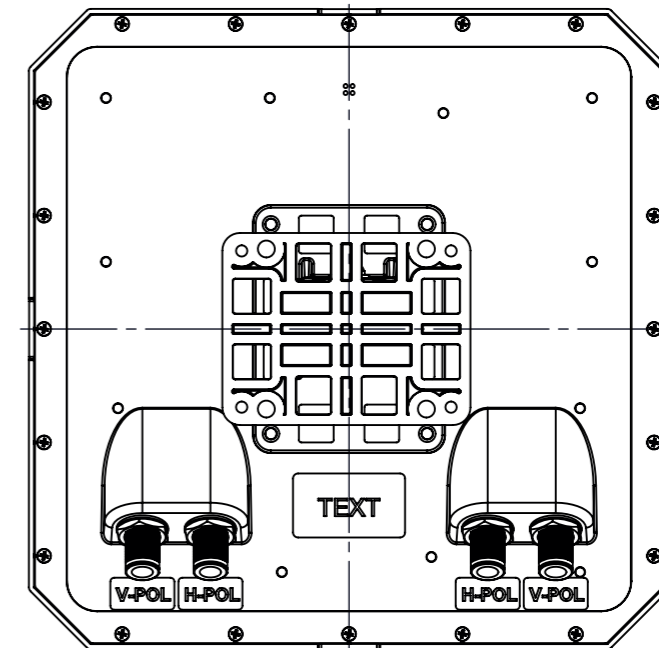
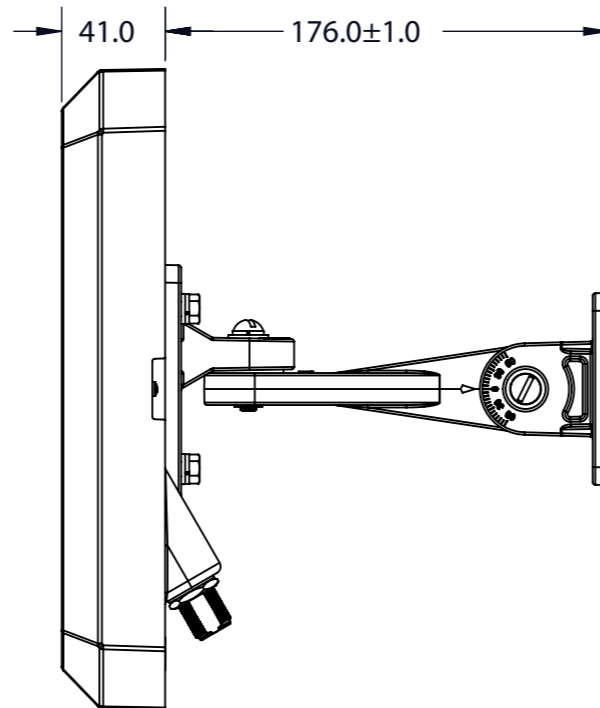
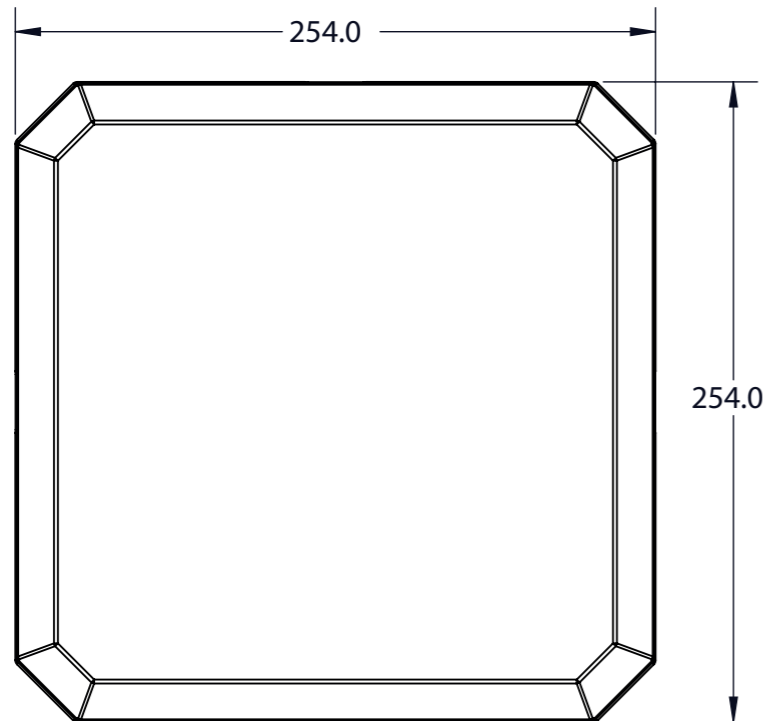


Parameter	Performance	
TE Model Number	PDQ24499-FNF	
Frequency	2400-2500 MHz	4900-5950 MHz
Peak Gain	7.8 dBi	9.4 dBi
Azimuth Plane 3-dB Beamwidth V-Pol, Typical	75 °	62 °
Azimuth Plane 3-dB Beamwidth H-Pol, Typical	66 °	57 °
Elevation Plane 3-dB Beamwidth V-Pol, Typical	62 °	50 °
Elevation Plane 3-dB Beamwidth H-Pol, Typical	73 °	65 °
Polarization	2 Ports Horizontal, 2 Ports Vertical	
VSWR	<2.0:1	
Impedance	50 Ω	
Maximum Input Power (per port)	10 Watts	
Port to Port Isolation	>30 dB	
F/B Ratio	>15 dB	
RF Connector	4X Fixed Type-N Female	
Radome Material	Polycarbonate, UL94 V0, UV Stable, White	
Weight	1.14 kg (2.50 lb) w/out Mount	
Mounting	Articulating Mount, Mast or Flush Mount	
Wind Surface Area	@0 °, 0.063 m ² (0.68 ft ²)	@90 °, 0.016 m ² (0.17 ft ²)
Wind Survival	220 km/h (137 mph)	
Wind Operational	160 km/h (100 mph)	
Ingression Protection	IP-67	
Operating Temperature	-40 °C to +70 °C	
Operating Humidity (RH)	5% to 100% (non-condensing)	
Storage Temperature	-40 °C to +85 °C	

REVISIONS					
REV.	ECN#	ZONE	DESCRIPTION	CHANGED BY/DATE	APPROVED BY/DATE
F01	ECN-IAS-04579		PRODUCTION RELEASE	S.J. 4SEP15	S.J. 4SEP15
F02	ECN-IAS-04893		UPDATED GAIN AND BEAM WIDTHS BASED ON PRODUCTION DATA	S.J. 07DEC15	T.P. 07DEC15
F03	ECN-IAS-05044		CHANGED RADOME MATERIAL FROM PC/ABS, WHITE TO POLYCARBONATE, UL94 V0, UV STABLE, WHITE	S.J. 01FEB16	M.M. 01FEB16
F04	ECN-IAS-05879		WIND SURVIVAL CHANGED WAS 200. WIND OPERATIONAL WAS 266,	M.L. 11NOV16	S.J. 11NOV16



THIS DRAWING IS UNPUBLISHED. RELEASED FOR PUBLICATION
 © Copyright 2022 TE Connectivity Ltd. ALL RIGHTS RESERVED.

MATERIAL: N/A	THIRD ANGLE PROJECTION												
FINISH: N/A	DO NOT SCALE DRAWING												
<table border="1"> <thead> <tr> <th>APPROVALS</th> <th>DATE</th> </tr> </thead> <tbody> <tr> <td>DRAWN BY: S. JOHNSON</td> <td>04JUN15</td> </tr> <tr> <td>ELEC. ENG: T. PETROPOULOS</td> <td>4SEP15</td> </tr> <tr> <td>MECH. ENG: M. MCGINNIS</td> <td>4SEP15</td> </tr> <tr> <td>MFG./OPS: B. THATCHER</td> <td>4SEP15</td> </tr> </tbody> </table>		APPROVALS	DATE	DRAWN BY: S. JOHNSON	04JUN15	ELEC. ENG: T. PETROPOULOS	4SEP15	MECH. ENG: M. MCGINNIS	4SEP15	MFG./OPS: B. THATCHER	4SEP15	<p>INTERPRET DIMENSIONING AND TOLERANCING IN ACCORDANCE WITH ASME Y14.5M-2009</p> <p>TOLERANCES UNLESS OTHERWISE SPECIFIED</p> <p>DIMENSIONS ARE IN MILLIMETERS</p> <p>ANGLE: ±30' 0 PLACE DECIMAL: ±0.5 1 PLACE DECIMAL: ±0.25 2 PLACE DECIMAL: ±0.13</p> <p>SURFACE ROUGHNESS 1.6</p>	
APPROVALS	DATE												
DRAWN BY: S. JOHNSON	04JUN15												
ELEC. ENG: T. PETROPOULOS	4SEP15												
MECH. ENG: M. MCGINNIS	4SEP15												
MFG./OPS: B. THATCHER	4SEP15												
<p>SIZE A3</p>		<p>DWG. NO. PDQ24499-FNFM0</p>											
<p>SCALE: 1:3</p>		<p>REV F04</p>											
<p>PREVIOUS#</p>		<p>SHEET 1 OF 2</p>											

6

5

4

3

2

1

D

D

C

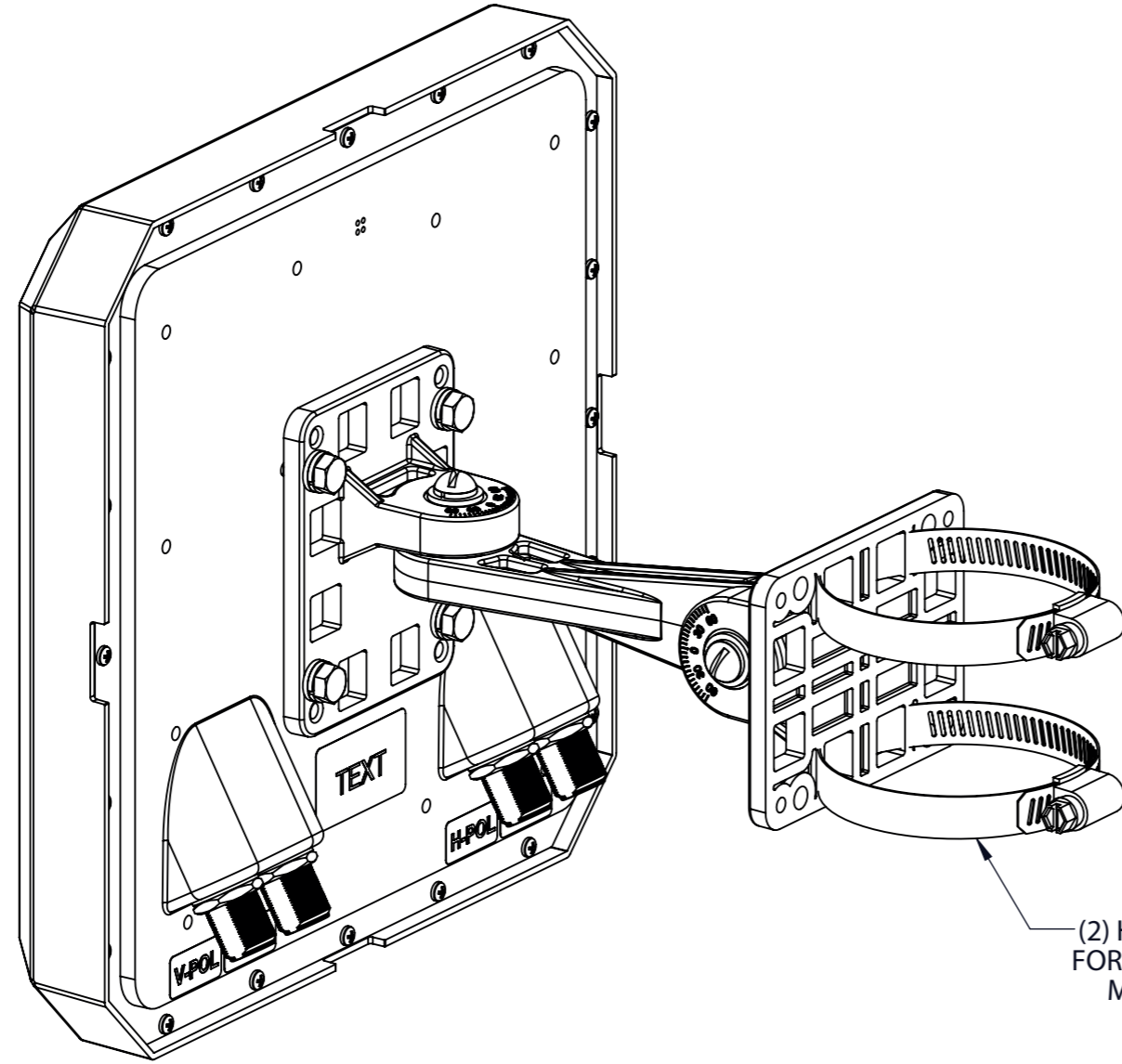
C

B

B

A

A



(2) HOSE CLAMPS PROVIDED
FOR MAST MOUNTING WITH A
MAST RANGE FROM 2"-5"



TE <small>connectivity</small>		
SIZE A3	DWG. NO. PDQ24499-FNFMO	REV F04
SCALE: 1:2	PREVIOUS#	SHEET 2 OF 2

6

5

4

3

2

1