



1060 - 1120 MHz Cavity Band Pass Filter

Part Number: AE1090B11203-NF-1

ANATECH ELECTRONICS INC
RF & Microwave Filters & Products



Electrical Specifications

Center Frequency: 1090 MHz

Passband: 1060-1120 MHz

1dB Bandwidth: 60 MHz Min

Insertion Loss: 1.2 dB Max @ Fc

PB Ripple: ± 0.4 dB Max

VSWR: 1.5:1 Max

Rejection: 50 dBc Min @ 990 MHz

Rejection: 40 dBc Min @ 1190 MHz

Power Handling: 10 Watts

Impedance: 50 Ohms

* 4mm thru hole version of AE1090B11203-NF

Mechanical

Mounting Method: 4mm Thru Hole

Connector Type: N (F)

Dimensions (In): 5.27" x 2.12" x 0.925"

Dimensions (mm): 134 x 54 x 23.5

Environmental

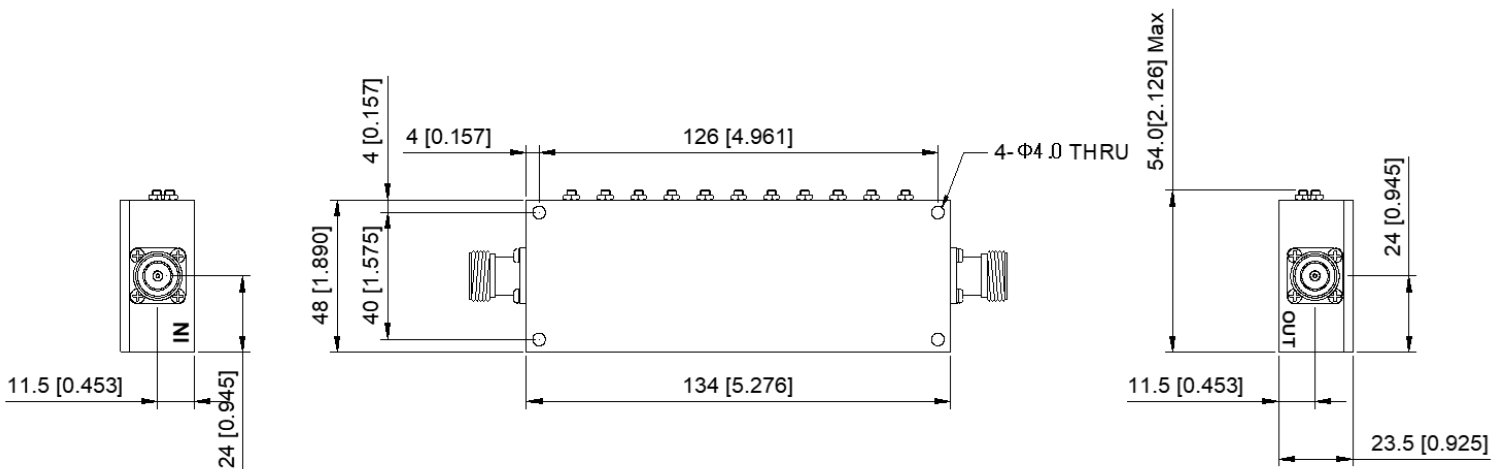
Operating Temperature: -40°C to +70°C

Storage Temperature: -55°C to +95°C

Shock: 20 G. 11ms

Vibration: 20 G 0.5 to 200Hz

Outline Drawing:



Tolerance: +/-0.01 inches [+/- 0.3mm]

Angles: +/- 1 Deg.

*Tolerance as shown unless otherwise specified in the datasheet electrical specification tables above.

*When max dimensions are called out the above tolerances do not apply as long as it is under the max call out.