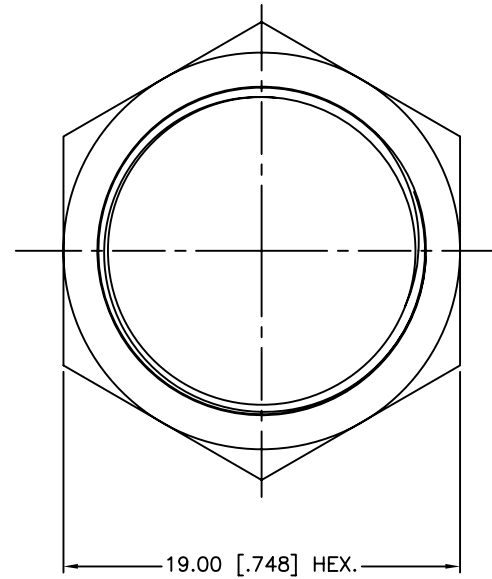
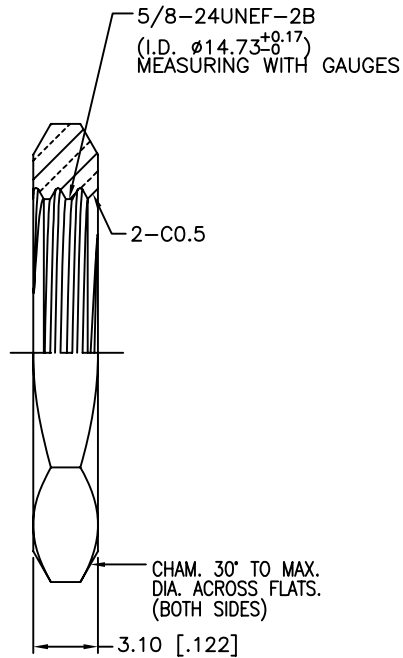


REV.	DATE	ECR NO.	DESCRIPTION
NC	01/14/10	XXXXXX	INITIAL RELEASE



UNLESS OTHERWISE SPECIFIED DIMENSIONS ARE IN MILLIMETERS. DIMENSIONS IN [ ] ARE IN INCHES AND FOR CUSTOMER REFERENCE ONLY.

UNLESS OTHERWISE SPECIFIED TOLERANCES FOR MILLIMETERS ARE:  
0.5 - 8mm  $\pm 0.20$ mm  
8 - 30mm  $\pm 0.40$ mm  
30 - 120mm  $\pm 0.50$ mm

UNLESS OTHERWISE SPECIFIED TOLERANCES FOR INCHES ARE:  
.020 - .315 =  $\pm 0.007$ "  
.315 - 1.180 =  $\pm 0.015$ "  
1.180 - 4.724 =  $\pm 0.020$ "

APPROVALS		DATE
DRAWN	M.ZHANG	01/14/10
CHECKED		
ISSUED		
SHEET	1 OF 1	
CAD FILE		C:/CONNEX/172-Hexnut.DWG

# Amphenol Connex

PART DESCRIPTION			
HEX NUT - HN19-5/8-24X31			
PART NO.			
172-Hexnut			
DWG. NO.	REV.	SIZE	SCALE
172-Hexnut.DWG	NC	A	NA

1	HEX NUT	BRASS	NEXCOTE	1
DESCRIPTION	MATERIAL	FINISH	QTY	

DO NOT SCALE DRAWING