

PLEASE CHECK WWW.MOLEX.COM FOR LATEST PART INFORMATION

Part Number: **0758272104**
Status: **Active**
Overview: GbX Backplane Connector System
Description: GbX 2 Pair Backplane Connector System, Left Guide Header, 40 Circuits, 10 Columns, Gold (Au) 0.76µm, Pin Length 4.55mm

Documents:

3D Model	Product Specification PS-75221-999-001 (PDF)
3D Model (PDF)	Packaging Specification PK-70873-5058 (PDF)
Drawing (PDF)	RoHS Certificate of Compliance (PDF)

Agency Certification

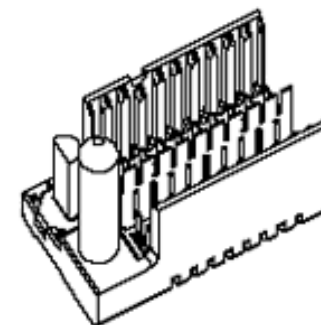
UL E29179

General

Product Family	Backplane Connectors
Series	75827
Application	Backplane
Application Tooling Documents	TM-622022099
Comments	Left Guide Header, No Keying Position, Left Guide Header, No Keying Position
Component Type	PCB Header
Overview	GbX Backplane Connector System
Product Name	GbX
UPC	822350174299

Physical

Circuits (Loaded)	40
Circuits (maximum)	40
Color - Resin	Gray (Dark)
Durability (mating cycles max)	200
First Mate / Last Break	No
Flammability	94V-0
Guide to Mating Part	Yes
Keying to Mating Part	None
Material - Metal	High Performance Alloy (HPA), Stainless Steel
Material - Plating Mating	Gold
Material - Plating Termination	Tin-Lead
Material - Resin	High Temperature Thermoplastic
Net Weight	5.281/g
Number of Columns	10
Number of Pairs	2
Number of Rows	4
Orientation	Vertical
PC Tail Length	2.30mm
PCB Locator	No
PCB Retention	Yes
PCB Thickness - Recommended	1.60mm
Packaging Type	Tray
Pitch - Mating Interface	1.85mm
Pitch - Termination Interface	1.85mm
Plating min - Mating	0.762µm
Plating min - Termination	0.762µm
Polarized to PCB	No
Stackable	Yes
Surface Mount Compatible (SMC)	Yes
Temperature Range - Operating	105°C



Series image - Reference only

EU ELV

Not Relevant

EU RoHS

Compliant

REACH SVHC

Not Contained Per - ED/71/2019 (16 July 2019)

Halogen-Free

Status

Low-Halogen

For more information, please visit [Contact US](#)

China ROHS

ELV

RoHS Phthalates

Green Image

Not Relevant

Not Contained

Search Parts in this Series

[75827](#) Series

Mates With

[75650](#) GbX Daughtercard

Application Tooling | FAQ

Tooling specifications and manuals are found by selecting the products below. Crimp Height Specifications are then contained in the Application Tooling Specification document.

Global

Description

Product #

GbX 2-Pair by 10- Wide Differential Insertion Tool	622022410
--	---------------------------

Termination Interface: Style Through Hole - Compliant Pin

Electrical

Current - Maximum per Contact	1.0A
Data Rate	8.0 Gbps
Real Signals (per 25mm)	54
Shield Type	Ground Plane Shield
Shielded	Yes
Voltage - Maximum	120V AC (RMS)/DC

Solder Process Data

Lead-free Process Capability	N/A
------------------------------	-----

Material Info

Reference - Drawing Numbers

Packaging Specification	PK-70873-5058
Product Specification	PS-75221-999-001
Sales Drawing	SD-75827-210

This document was generated on 12/13/2019

PLEASE CHECK WWW.MOLEX.COM FOR LATEST PART INFORMATION