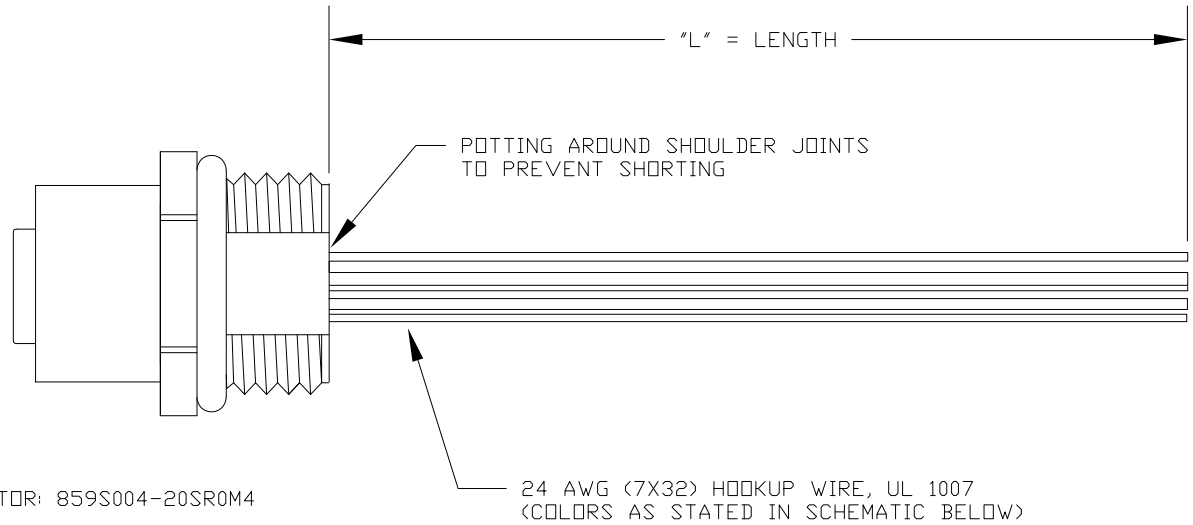
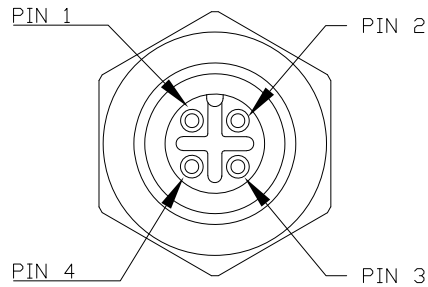


DESCRIPTION: M12 4 POSITION STAINLESS STEEL FEMALE PIGTAIL



CONNECTOR: 859S004-20SR0M4

\*\*SEE PAGE 2 FOR DETAILS

WIRING SCHEMATIC

1		2	
PIN		PIN	
1 = BROWN	2 = WHITE	1 = RED	2 = GREEN
3 = BLUE	4 = BLACK	3 = BLACK	4 = WHITE

FPM12A04IYYDF0Y

INCHES

01 = WIRING SCHEMATIC 1  
02 = WIRING SCHEMATIC 2

LENGTH  
EX: 06 = 6 INCHES  
12 = 12 INCHES

NOTE: PACKAGED 10 PER BAG

**RoHS COMPLIANT**

UNITS IN INCHES [MM] DO NOT SCALE FROM DRAWING



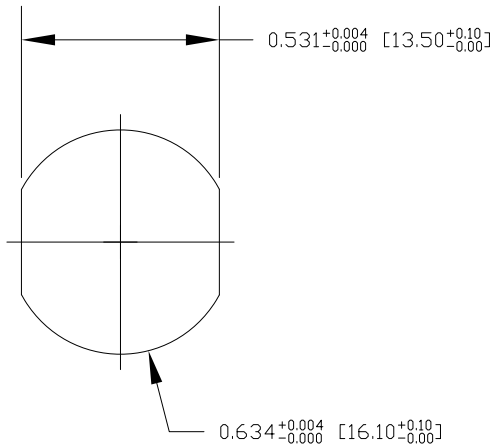
THESE DRAWINGS AND SPECIFICATIONS ARE THE PROPERTY OF NorComp AND SHALL NOT BE REPRODUCED, COPIED OR USED AS THE BASIS FOR THE MANUFACTURE OR SALE OF APPARATUS WITHOUT WRITTEN PERMISSION.

DRAWN:  
**G. BROWN**  
DATE:  
01/23/2019

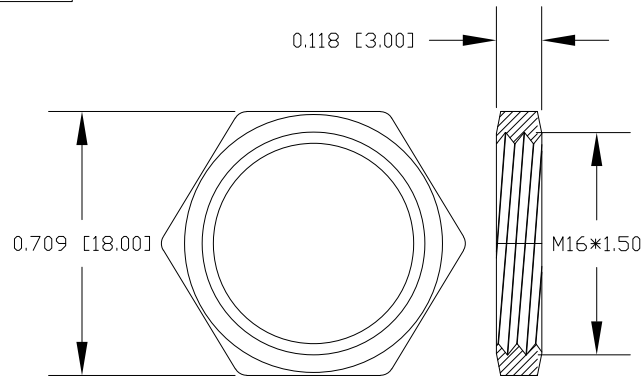
**NorComp**

SCALE: NTS	SHEET OF 1 OF 2	REV 3
DWG NO. <b>FPM12A04IYYDF0Y</b>		

DESCRIPTION: M12 4 POSITION STAINLESS STEEL FEMALE PIGTAIL



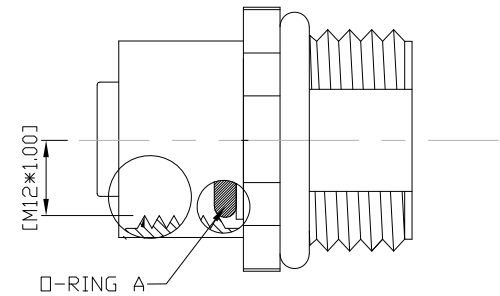
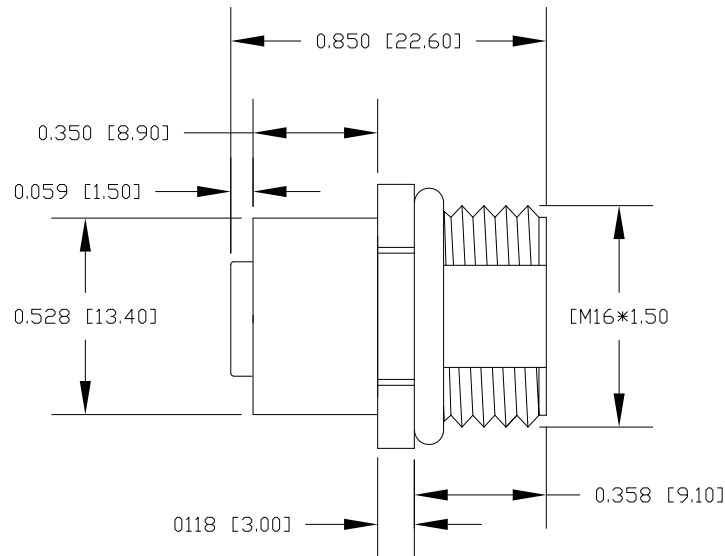
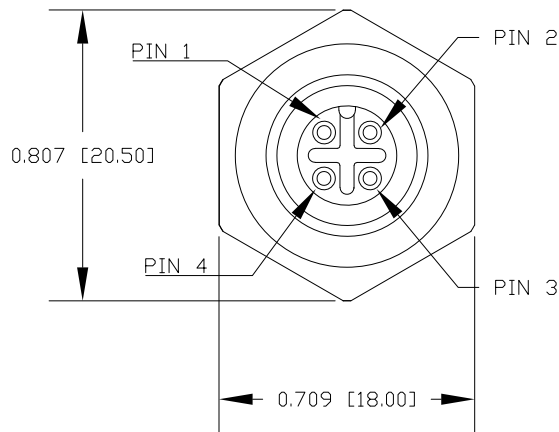
RECOMMENDED PANEL CUT-OUT



NUT

NOTE:

MATERIAL	
HOUSING:	PBT UL94V-0, BLACK
CONTACT:	BRASS
NUT:	STAINLESS STEEL 316
SHELL:	STAINLESS STEEL 316
O-RING:	EPDM, BLACK
FINISH	
CONTACT:	GOLD PLATED 10μ" Min.
UNDER PLATE:	NICKEL
ELECTRICAL	
RATED CURRENT:	4A
RATED VOLTAGE:	250V
INSULATION RESISTANCE:	100MΩ MIN
CONTACT RESISTANCE:	10mΩ MAX
WATER PROOF:	IP67/68
ENVIRONMENT	
OPERATION TEMPERATURE:	-40°C ~ +85°C



RoHS COMPLIANT

UNITS IN INCHES [MM] DO NOT SCALE FROM DRAWING



THESE DRAWINGS AND SPECIFICATIONS ARE THE PROPERTY OF NorComp AND SHALL NOT BE REPRODUCED, COPIED OR USED AS THE BASIS FOR THE MANUFACTURE OR SALE OF APPARATUS WITHOUT WRITTEN PERMISSION.

DRAWN:  
**G. BROWN**  
DATE:  
01/23/2019

**NorComp**

SCALE: NTS	SHEET 2	OF 2	REV 3
DWG NO.		FPM12A04IYYDF0Y	