

6

5

4

3

2

1

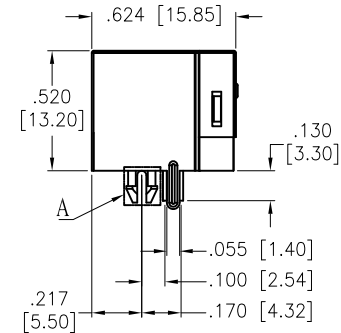
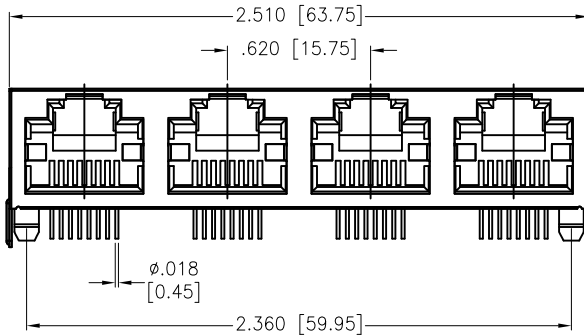
APPROVED: \_\_\_\_\_

DATE: \_\_\_\_\_ TITLE: \_\_\_\_\_

Rev	AWO #	Description	Date	Appr
-		RELEASED	9/27/18	

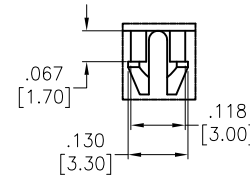
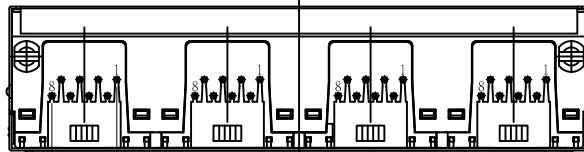
D

D



C

C

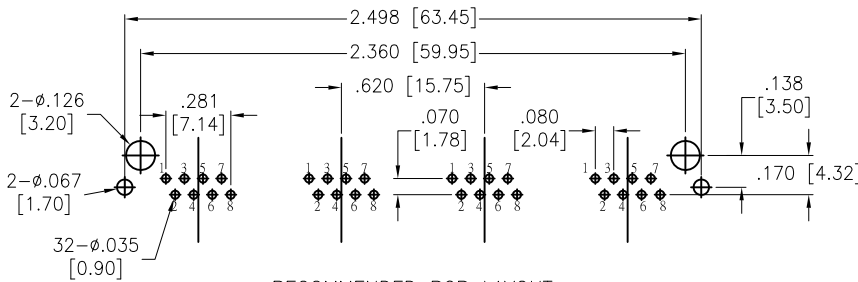


B

B

**SPECIFICATIONS:**

Material:  
 Insulator: Hi-temp thermoplastic, rated UL 94V-0  
 Insulator color: Pantone P114C, Yellow  
 Contacts: Phosphor Bronze  
 Shield: Copper Alloy, Nickel plated  
 Contacts Plating:  
 Round contact  
 Gold over Nickel underplate overall  
 Flat contact  
 Gold over Nickel underplate on contact area,  
 Tin over Nickel underplate on solder tails  
 Electrical:  
 Voltage rating: 150 VAC max  
 Current rating: 1.5 Amp max  
 Contact Resistance: 30 mohms max  
 Insulation resistance: 500 Mohms min  
 Dielectric withstanding voltage: 1,000 VAC  
 Temperature Rating:  
 Operating temperature: -40°C to +70°C  
 Environmental:  
 Lead free, RoHS compliant.



RECOMMENDED PCB LAYOUT

A

A



UNLESS OTHERWISE SPECIFIED ALL DIMENSIONS ARE INCHES [MM] TOLERANCES: EXCEPT AS NOTED		<b>ADAM TECH</b> 909 Rahway Avenue, Union, NJ 07083 Phone: 908-687-5000 Fax: 908-687-5710	
INCHES		<b>INTERCONNECTS</b>	
HOLES		TITLE: MODULAR TELEPHONE JACK, GANGED 8P8C, R/A, PCB, YELLOW COLOR	
.X ± .10    Ø.X ± .10		SIZE	PART NO.
.XX ± .020    Ø.XX ± .015		X	MTJG-4-88ARX1-FSW-P114C-HT-A
.XXX ± .015    Ø.XXX ± .010		REV.	-
APPROVALS		REF:	S00297T
DRAWN	HR	SCALE:	NTS
CHECKED	RC2	SHEET	1 OF 1
APPROVED			

6

5

4

3

2

1