



Electrical Specifications

Center Frequency: 228 MHz
Bandwidth: 20 MHz
Passband : 218 MHz to 238 MHz
Insertion Loss: $\leq 2.0\text{dB}$ @ 228 MHz
Return Loss: $>14\text{dB}$ @ 218 MHz to 238 MHz
Rejection: $>50\text{dB}$ @ 0-187 MHz
Rejection2: $>40\text{dB}$ @ 280 MHz to 1500 MHz
Impedance: 50 Ohms

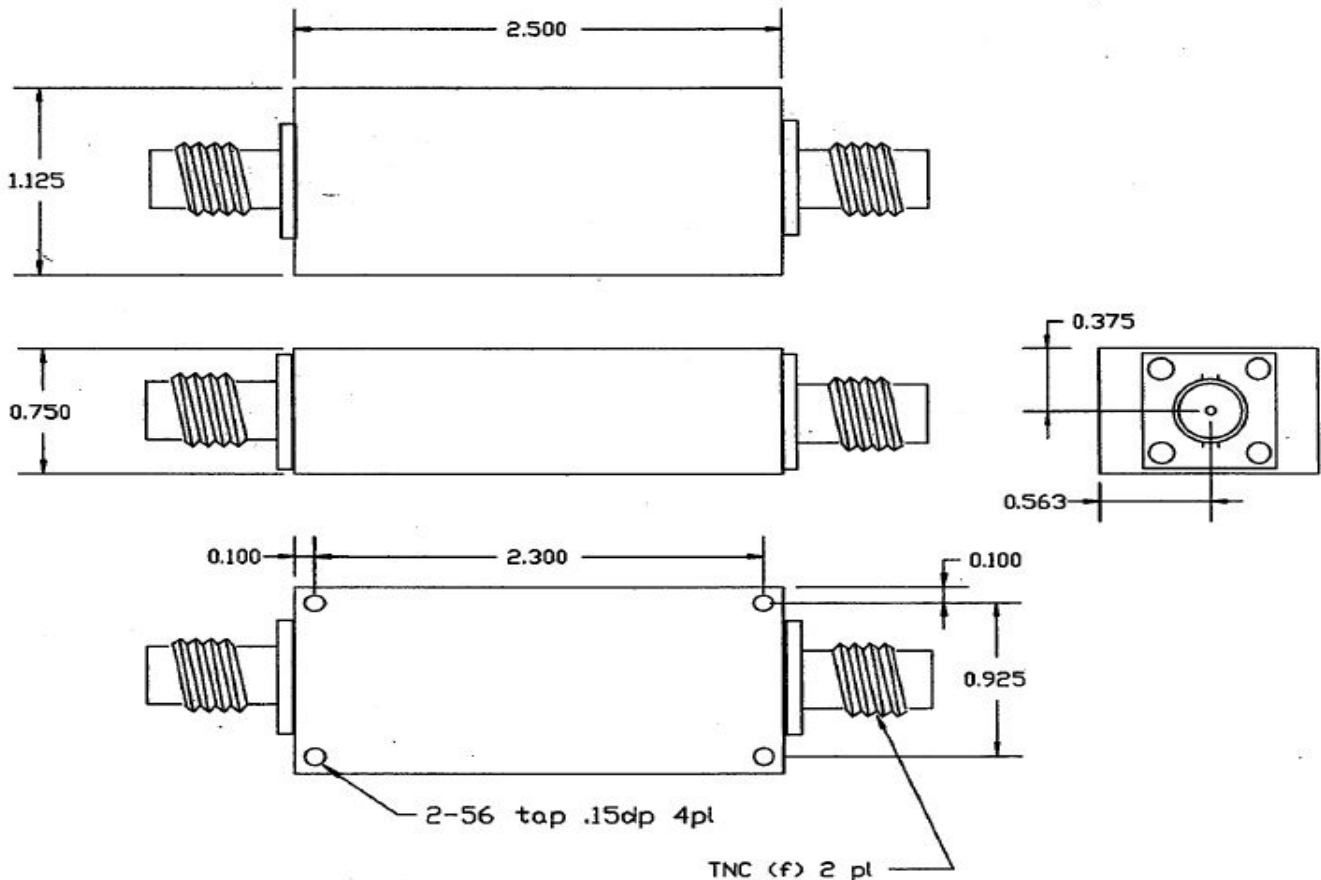
Mechanical

Connector Type: TNC(F)
Dimensions: 2.5" x 1.125" x 0.75" in.

Environmental

Operating Temperature: -25°C to $+70^{\circ}\text{C}$
Storage Temperature: -40°C to $+90^{\circ}\text{C}$
Shock: 10 G. 11ms
Vibration: 10 G. 5 to 200Hz

Outline Drawing:





ANATECH ELECTRONICS INC
RF & Microwave Filters & Products

228 MHz LC Bandpass Filter

Part Number: AE228B10142



Response Plot:

