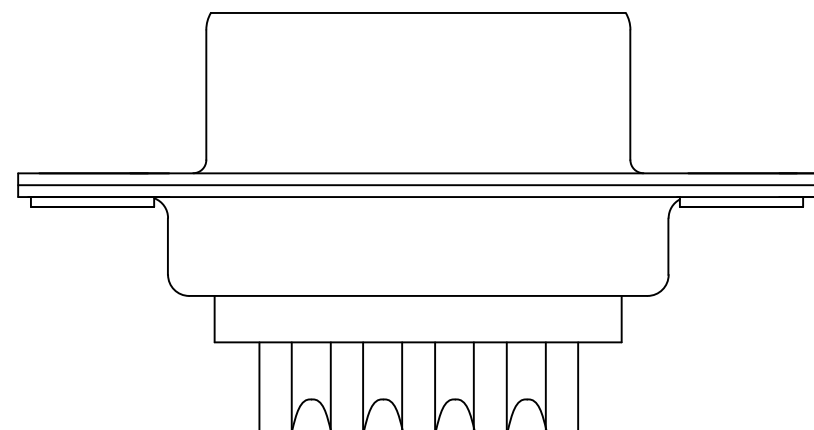
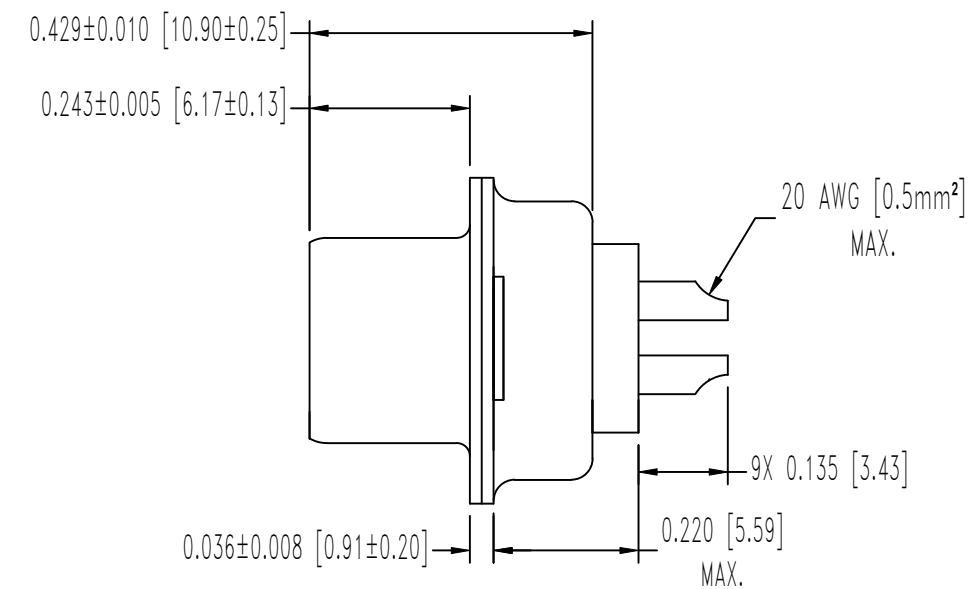
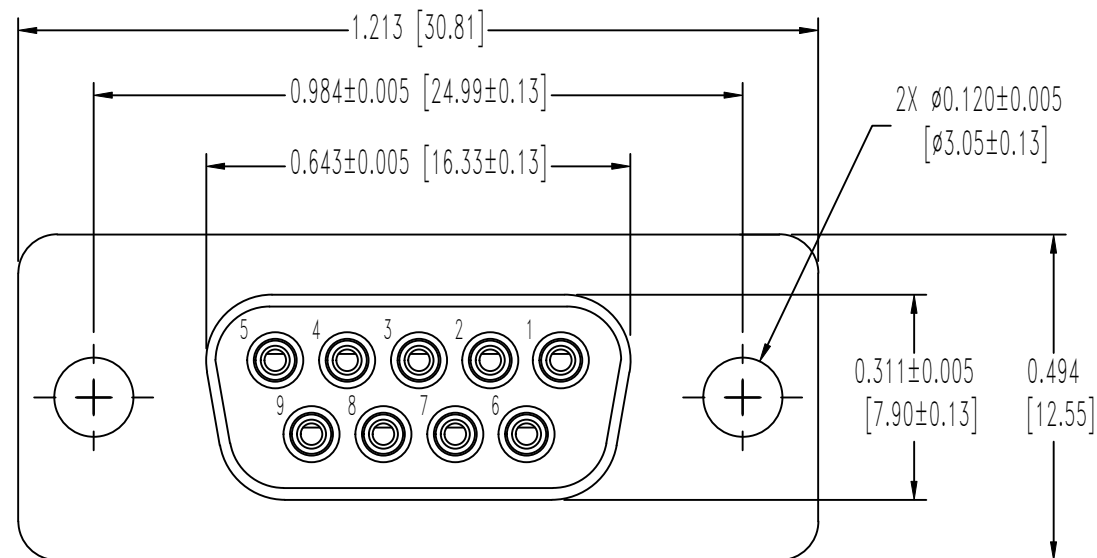


SK16902

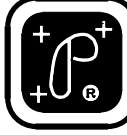
THIS DRAWING CONTAINS INFORMATION PROPRIETARY TO POSITRONIC AND ITS SUBSIDIARIES. POSITRONIC BELIEVES THE DATA ON THIS DRAWING TO BE RELIABLE. SINCE THE TECHNICAL INFORMATION IS GIVEN FREE OF CHARGE, THE USER EMPLOYS SUCH INFORMATION AT HIS OWN DISCRETION AND RISK. POSITRONIC ASSUMES NO RESPONSIBILITY FOR RESULTS OBTAINED OR DAMAGES INCURRED FROM USE OF SUCH INFORMATION IN WHOLE OR IN PART.

DATE	REV	REVISION RECORD	APP	DR	CK
1-19-15	NC	ECO 45538	COLE	MP	COLE
7-30-15	A	ECO 47679	COLE	NM	CP



NOTES:

- MATERIALS AND FINISHES:
 INSULATOR: GLASS FILLED DAP PER ASTM-D5948, SDG-F, UL 94V-0, ASTM E-595, NASA-RP-1124, COLOR: GREEN.
 CONTACTS: PRECISION MACHINED COPPER ALLOY WITH BERYLLIUM COPPER CLIP, 0.000050 [1.27μ] GOLD OVER COPPER PLATE.
 SHELLS: BRASS, 0.000050 [1.27μ] GOLD OVER COPPER PLATE.
- DETAILED PRODUCT, MECHANICAL, AND ELECTRICAL INFORMATION IS AVAILABLE IN THE LATEST HIGH PERFORMANCE D-SUB PRODUCT PUBLICATION AT CONNECTPOSITRONIC.COM.
- CONNECTORS ARE COMPLIANT TO THE CURRENT ROHS DIRECTIVE.
- DIMENSIONS ARE IN INCHES [MILLIMETERS].

	POSITRONIC INDUSTRIES INC. www.connectpositronic.com		FSCM 28198
	DECIMAL TOL. ± 0.015 [0.38]	SCALE N.T.S.	DRAWN BY MP
TITLE SND9S2000G/AA			
ANGULAR TOL. ± 5°	DATE 1-19-15	DRAWING NUMBER SK16902	REV. A