

Materials

- 1. C3604 brass, gold plated
- 2. C3604 brass, gold plated
- 3. C3604 brass, gold plated
- 4. C3604 brass, gold plated
- 5. POM, black

Electrical requirements

Dielectric strength: 1 min @ 500 Vac and 2mA
 Insulation resistance: 100 MΩ @ 500 Vdc
 Contact resistance: 50 mΩ or less

Mechanical requirements

Durability: 5000 mating cycles while maintaining normal operation and < 50mΩ
 Bending strength: ≥ 3.2 kg
 Breaking strength: ≥ 6.8 kg

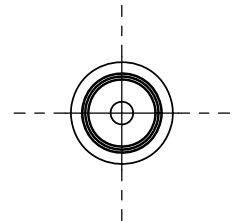
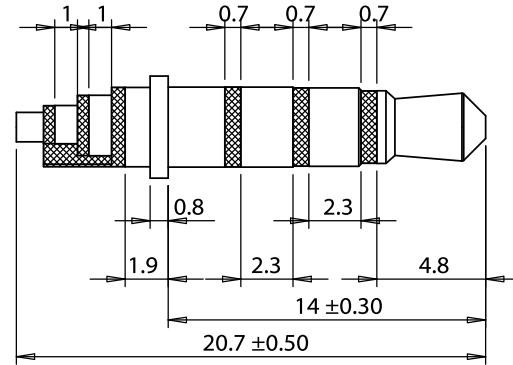
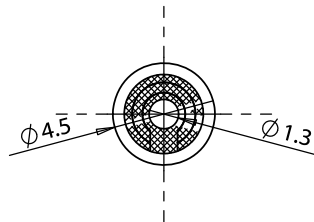
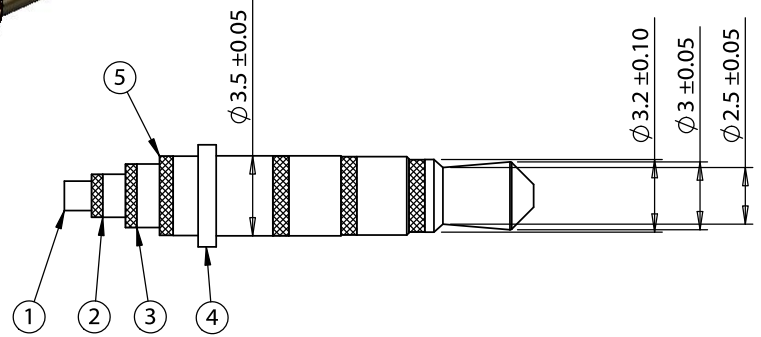
Environmental tests

Salt spray test: 5% NaCl spray at 1ml/80cm²/h, chamber temp 46.5°C, spray temp 35°C, 87% humidity, 48 hours. No oxidation.

Cold resistance: -25°C±3 for 2 hours with no degradation.
 Heat resistance: 85°C±3 for 2 hours with no degradation.

Operating range

-30 to 85 °C



REVISION	DATE	DESCRIPTION
A	8/28/2015	Initial release

PREPARED:
GL 2015.08.28
 13:45:28
 -07'00"

VERIFIED:
JM 2015.08.28
 16:00:44 -07'00"

DIMENSIONS ARE IN MILLIMETERS

TOLERANCES:
 X: ± 0.5 mm
 X.X: ± 0.3 mm
 X.XX: ± 0.05 mm

NOTES
 RoHS compliant
 Function test: no open, no short circuit, no INT

DESCRIPTION:
 Connector, 4C audio plug, 3.5xL20.7 mm, brass, gold plated, molding style

TENSILITY

20802 Sockeye Place #130
 Bend, OR 97701 USA
 tel 541.323.3228 fax 541.323.4202
 800 877.670.7118 www.tensility.com

SIZE A	PART NUMBER 50-00501
SCALE: 5:1	WEIGHT:
SHEET 1 OF 1	