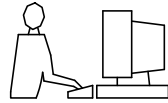
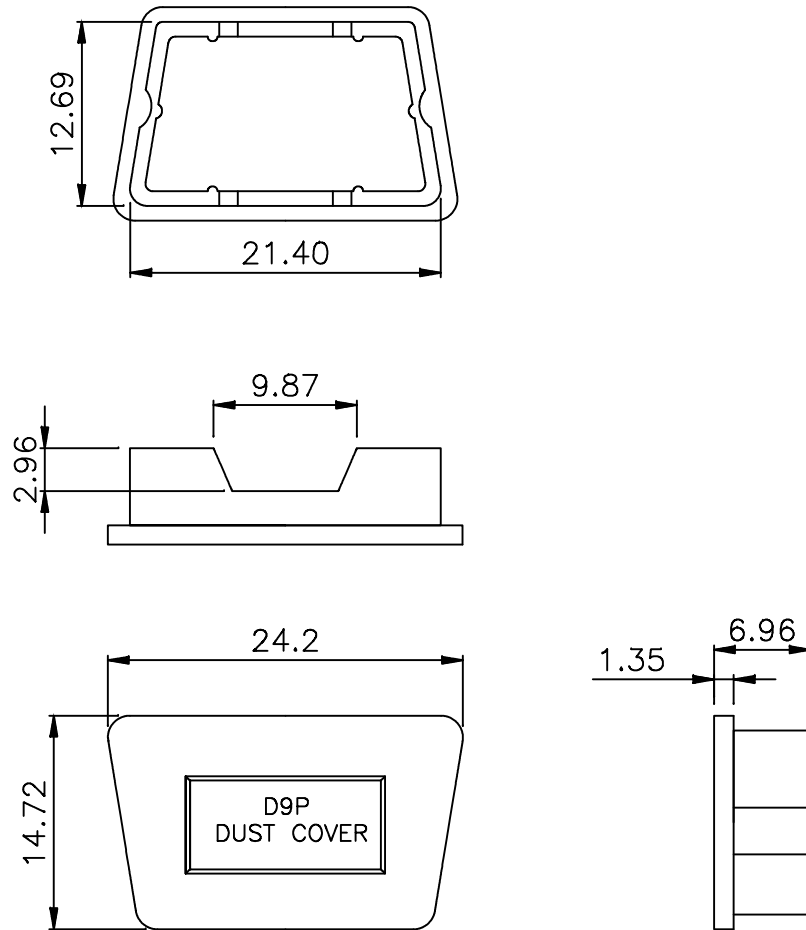


THIS IS A C.A.D. GENERATED DRAWING
DO NOT MAKE MANUAL REVISIONS TO MASTER.



* UNLESS OTHERWISE SPECIFIED TOLERANCES
ON DECIMAL IS:

UNIT: MM X. ± 0.50
 X.X ± 0.30
 X.XX ± 0.20



MATERIAL:
Insulator: PE UL94HB Transparent

THESE DRAWINGS AND SPECIFICATIONS ARE THE PROPERTY OF MH CONNECTORS AND SHALL NOT BE REPRODUCED, COPIED OR USED AS THE BASIS FOR THE MANUFACTURE OR SALE OF APPARATUS WITHOUT WRITTEN PERMISSION.

DRAWN Change zhang		DATE 05-15-17
APPROVED Victor Lin		DATE 05-15-17
SCALE 1 : 1	SHEET OF 1 OF 1	REV: 1.0
DRAWING No MHDC09-P		



THIS SERIES FULLY CONFORMS TO THE EUROPEAN UNION DIRECTIVES 2002/95/EC AND 2002/96/EC FOR RoHS COMPLIANCY.



**MH CONNECTORS ,
DIVISION OF EDAC**