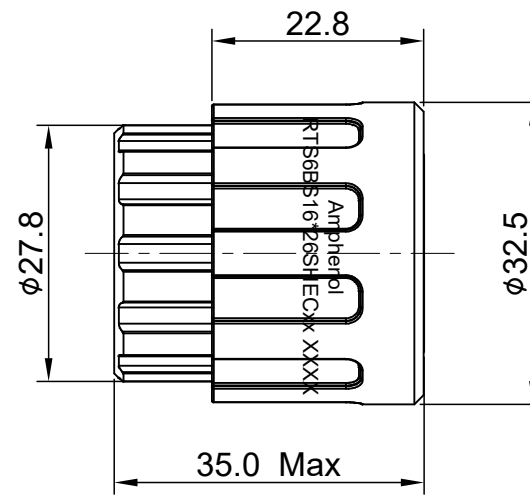


| REVISIONS | | | | | |
|-----------|-----|----------------|-------------|-------|-------|
| REV | ECO | DESCRIPTION | DATE | BY | APPR |
| A1 | -- | FIRST RELEASED | Mar-26-2017 | Ben | Tommy |
| A2 | -- | UPDATE NOTES | Jul-03-2017 | Nick | Tommy |
| A3 | -- | UPDATE DRAWING | Mar-20-2018 | White | Tommy |

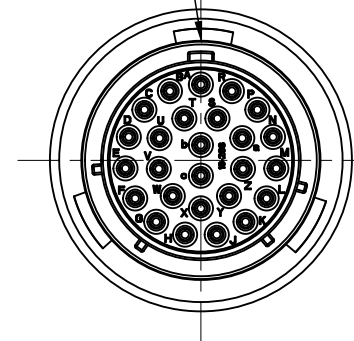
NOTES : (UNLESS OTHERWISE SPECIFIED)

- MATERIAL :
 SHELL : THERMOPLASTIC , UL94 V-0.
 INSERT : THERMOPLASTIC , UL94 V-0.
 COUPLING NUT : THERMOPLASTIC , UL94 V-0.
 O-RING : NBR OR SILICONE RUBBER.
 WASHER : SILICONE RUBBER.
 FIXED RUBBER: NBR.
 END CAP : THERMOPLASTIC , UL94 V-0.
 PLASTIC RING : THERMOPLASTIC , UL94 V-0.
 WIRE SEAL : SILICONE RUBBER.
- SPECIFICATIONS :
 - RATED CURRENT :
 - STAMPED CONTACT 5A (MAX).
 - MACHINED CONTACT 7.5A(MAX).
 - RATED VOLTAGE : 250V (AC/DC) .
 - OPERATING TEMPERATURE : SEE TABLE.
 - DIELECTRIC WITHSTANDING VOLTAGE : LESS THAN 2 MILLIAMPS CURRENT LEAKAGE@1500 VOLTS AC.
 - INSULATION RESISTANCE : 5000 MEGOHMS MIN.
 - IP-CLASS : IP67 AND IP69K IN THE MATED CONDITION, WIRE SEALS FULLY POPULATED.
 - MATING CYCLES DURABILITY : 500 CYCLES MIN.
 - RoHS COMPLIANT.
- SUITABLE CONTACTS : 20# CONTACT.
- ALL DIMENSIONS ARE FOR REFERENCE USE ONLY.
- CONTACT SIZE AND REAR SEAL WIRE RANGE :

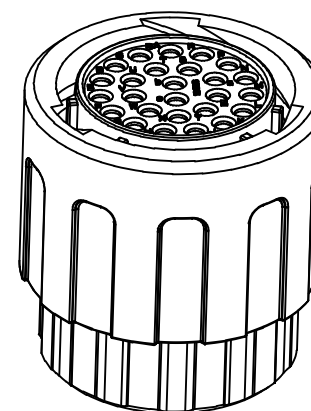
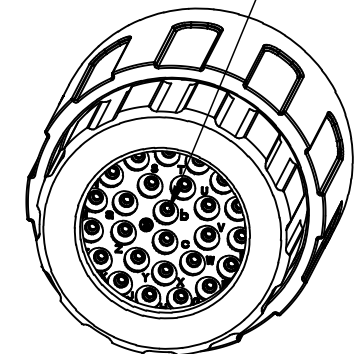
| CONTACT SIZE | MIN. INSUL O.D. | MAX. INSUL O.D. | WIRE RANGE |
|--------------|-----------------|-----------------|------------|
| 20# | φ1.6mm | φ2.6mm | 20-30AWG |



MASTER KEYWAY



SEALING PLUGS CAN BE PURCHASED SEPARATELY



| KEY | PART NUMBER | |
|-----|-----------------|-------------------|
| | -40°C ~ 105°C | -40°C ~ 125°C |
| N | RTS6BS16N26SHEC | RTS6BS16N26SHEC03 |

| QUANTITY | PART NUMBER | DESCRIPTION | ITEM | | | | | | | | | | | | | | | | | | |
|--|-------------|---|------------|------|--------------|-------------|--------------|-------------|-------------------|----|--|-------------|--|-----------------|--|--------------------------------------|---|--------------------|--|----------------------------|--|
| MATERIALS LIST | | | | | | | | | | | | | | | | | | | | | |
| UNLESS OTHERWISE SPECIFIED 1) All dimensions are in metric(mm). 2) Tolerances are as follows: 1 PL DEC ±0.30 2 PL DEC ±0.15 3 PL DEC ±0.08 3) Note reference = | | <table border="1"> <thead> <tr> <th>SIGNATURES</th> <th>DATE</th> </tr> </thead> <tbody> <tr> <td>DRAWN: White</td> <td>Mar-20-2018</td> </tr> <tr> <td>CHECKED: Tod</td> <td>Mar-20-2018</td> </tr> <tr> <td>ENGINEER:</td> <td></td> </tr> <tr> <td>APPROVAL: Tommy</td> <td>Mar-20-2018</td> </tr> </tbody> </table> | SIGNATURES | DATE | DRAWN: White | Mar-20-2018 | CHECKED: Tod | Mar-20-2018 | ENGINEER: | | APPROVAL: Tommy | Mar-20-2018 | <table border="1"> <tr> <td colspan="2" style="text-align: center;">Amphenol</td> </tr> <tr> <td colspan="2" style="text-align: center;">Sine Systems - www.amphenol-sine.com</td> </tr> <tr> <td colspan="2" style="text-align: center;">44724 Morley Drive</td> </tr> <tr> <td colspan="2" style="text-align: center;">Clinton Township, MI 48036</td> </tr> </table> | Amphenol | | Sine Systems - www.amphenol-sine.com | | 44724 Morley Drive | | Clinton Township, MI 48036 | |
| SIGNATURES | DATE | | | | | | | | | | | | | | | | | | | | |
| DRAWN: White | Mar-20-2018 | | | | | | | | | | | | | | | | | | | | |
| CHECKED: Tod | Mar-20-2018 | | | | | | | | | | | | | | | | | | | | |
| ENGINEER: | | | | | | | | | | | | | | | | | | | | | |
| APPROVAL: Tommy | Mar-20-2018 | | | | | | | | | | | | | | | | | | | | |
| Amphenol | | | | | | | | | | | | | | | | | | | | | |
| Sine Systems - www.amphenol-sine.com | | | | | | | | | | | | | | | | | | | | | |
| 44724 Morley Drive | | | | | | | | | | | | | | | | | | | | | |
| Clinton Township, MI 48036 | | | | | | | | | | | | | | | | | | | | | |
| MATERIAL SPECIFICATIONS: | | CUSTOMER: | | | | | | | | | | | | | | | | | | | |
| PROCESS SPECIFICATIONS: | | THIS DRAWING IS SUPPLIED FOR INFORMATION ONLY. DESIGN FEATURES, SPECIFICATIONS AND PERFORMANCE DATA SHOWN HEREON ARE THE PROPERTY OF THE AMPHENOL CORPORATION. NO RIGHTS OF REPRODUCTION ARE IMPLIED. ALL DIMENSIONS ARE SUBJECT TO NORMAL MANUFACTURING VARIATIONS. | | | | | | | | | | | | | | | | | | | |
| NEXT ASSY: | | <table border="1"> <tr> <td>SIZE</td> <td>TYPE</td> <td>DWG NO:</td> <td>REVISION</td> </tr> <tr> <td>B</td> <td>C-</td> <td>RTS6BS16*26SHECxx</td> <td>A3</td> </tr> </table> | SIZE | TYPE | DWG NO: | REVISION | B | C- | RTS6BS16*26SHECxx | A3 | <table border="1"> <tr> <td>SCALE:</td> <td>SHEET</td> <td>OF</td> <td></td> </tr> <tr> <td>NONE</td> <td>1</td> <td>1</td> <td></td> </tr> </table> | SCALE: | SHEET | OF | | NONE | 1 | 1 | | | |
| SIZE | TYPE | DWG NO: | REVISION | | | | | | | | | | | | | | | | | | |
| B | C- | RTS6BS16*26SHECxx | A3 | | | | | | | | | | | | | | | | | | |
| SCALE: | SHEET | OF | | | | | | | | | | | | | | | | | | | |
| NONE | 1 | 1 | | | | | | | | | | | | | | | | | | | |

TITLE: ECO-MATE,PLUG,END CAP,26POS,SOCKET CONTACT,SIZE 16
 DWG NO: RTS6BS16*26SHECxx
 REV: A3
 SH: 1
 OF: 1

ecomate® RM/RSSM/Aquarius™ - Contact Size 20 Options

| Crimp Contacts, Machined | | | | |
|--------------------------|------------|-------|-------------------------------|------------|
| Part Number | | AWG | Wire Range (mm ²) | Plating |
| Male | Female | | | |
| MP20W23F | MS20W23F | 22-20 | 0.34-0.50 | Gold Flash |
| MP20W23G5 | MS20W23G5 | 22-20 | 0.34-0.50 | Gold 5µ" |
| MP20W23G10 | MS20W23G10 | 22-20 | 0.34-0.50 | Gold 10µ" |
| MP20W23G15 | MS20W23G15 | 22-20 | 0.34-0.50 | Gold 15µ" |
| MP20W23G30 | MS20W23G30 | 22-20 | 0.34-0.50 | Gold 30µ" |
| MP24W23F | MS24W23F | 26-24 | 0.13-0.25 | Gold Flash |
| MP24W23G5 | MS24W23G5 | 26-24 | 0.13-0.25 | Gold 5µ" |
| MP24W23G10 | MS24W23G10 | 26-24 | 0.13-0.25 | Gold 10µ" |
| MP24W23G15 | MS24W23G15 | 26-24 | 0.13-0.25 | Gold 15µ" |
| MP24W23G30 | MS24W23G30 | 26-24 | 0.13-0.25 | Gold 30µ" |
| MP28W23F | MS28W23F | 30-28 | 0.05-0.08 | Gold Flash |
| MP28W23G5 | MS28W23G5 | 30-28 | 0.05-0.08 | Gold 5µ" |
| MP28W23G10 | MS28W23G10 | 30-28 | 0.05-0.08 | Gold 10µ" |
| MP28W23G15 | MS28W23G15 | 30-28 | 0.05-0.08 | Gold 15µ" |
| MP28W23G30 | MS28W23G30 | 30-28 | 0.05-0.08 | Gold 30µ" |

| Tooling, Machined | |
|-------------------|--|
| Part Number | Description |
| QXRT20 | Contact Extraction Tool, #20 (Ø 1.0) Contact |
| MFY-3959 | Hand Crimp Tool for Machined Contacts |
| MFY-3960 | Pneumatic Crimp Tool for Machined Contact |

| Plating Options, All | |
|----------------------|--|
| Symbol | Plating |
| T | Tin Plated (for Stamped & Formed Contacts) |
| S | Silver Plated 5Um (for Machined Contacts) |
| F | Gold Plated |
| G5 | Gold Plated (Thickness 5µ") |
| G10 | Gold Plated (Thickness 10µ") |
| G15 | Gold Plated (Thickness 15µ") |
| G30 | Gold Plated (Thickness 30µ") |

| Crimp Contacts, Stamped & Formed | | | | |
|----------------------------------|-----------|-------|-------------------------------|------------|
| Part Number | | AWG | Wire Range (mm ²) | Plating |
| Male | Female | | | |
| SP20W2F | SS20W2F | 22-20 | 0.34-0.50 | Gold Flash |
| SP20W2G5 | SS20W2G5 | 22-20 | 0.34-0.50 | Gold 5µ" |
| SP20W2G10 | SS20W2G10 | 22-20 | 0.34-0.50 | Gold 10µ" |
| SP20W2G15 | SS20W2G15 | 22-20 | 0.34-0.50 | Gold 15µ" |
| SP20W2G30 | SS20W2G30 | 22-20 | 0.34-0.50 | Gold 30µ" |
| SP24W2F | SS24W2F | 26-24 | 0.14-0.25 | Gold Flash |
| SP24W2G5 | SS24W2G5 | 26-24 | 0.14-0.25 | Gold 5µ" |
| SP24W2G10 | SS24W2G10 | 26-24 | 0.14-0.25 | Gold 10µ" |
| SP24W2G15 | SS24W2G15 | 26-24 | 0.14-0.25 | Gold 15µ" |
| SP24W2G30 | SS24W2G30 | 26-24 | 0.14-0.25 | Gold 30µ" |
| SP28W2F | SS28W2F | 30-28 | 0.05-0.08 | Gold Flash |
| SP28W2G5 | SS28W2G5 | 30-28 | 0.05-0.08 | Gold 5µ" |
| SP28W2G10 | SS28W2G10 | 30-28 | 0.05-0.08 | Gold 10µ" |
| SP28W2G15 | SS28W2G15 | 30-28 | 0.05-0.08 | Gold 15µ" |
| SP28W2G30 | SS28W2G30 | 30-28 | 0.05-0.08 | Gold 30µ" |

| Tooling, Stamped & Formed | |
|---------------------------|--|
| Part Number | Description |
| QXRT20 | Contact Extraction Tool, #20 (Ø 1.0) Contact |
| MFY-3958 | Hand Tool, Stamped & Formed Contact, Size 20, 20-28AWG |
| MFY-3957 | Crimp Die for Stamped & Formed Contact |

| Misc Tooling, All | |
|-------------------|----------------------------|
| Part Number | Description |
| CA-4020-59 | Sealing Plug, Size 16 & 20 |

| Standard Quantity Order Options | |
|---------------------------------|-------------------|
| Machined | Stamped & Formed |
| Bulk Package, 500 Pieces | Reel, 3000 Pieces |