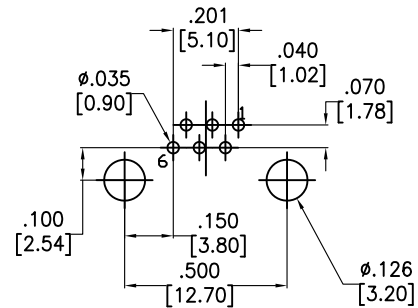
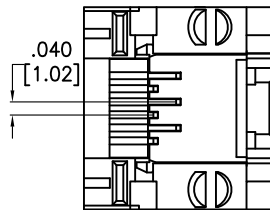
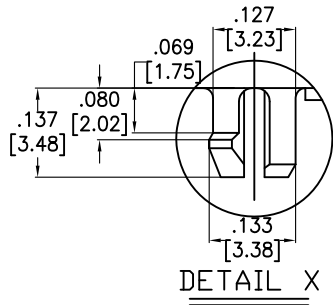
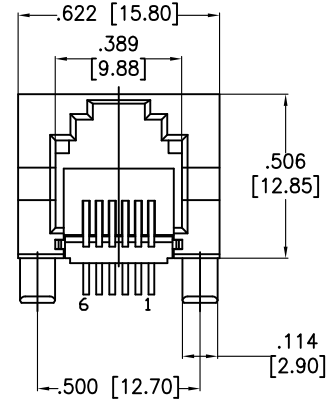
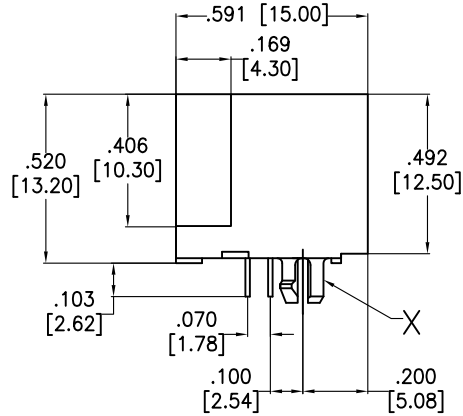
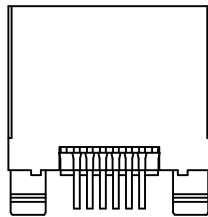


APPROVED: \_\_\_\_\_  
 DATE: \_\_\_\_\_ TITLE: \_\_\_\_\_

Rev	AWO #	Description	Date	Appr
-		RELEASED	10/27/08	
A		REDRAWN	8/6/13	
B		ADDED PLATING OPTION	6/16/15	AY/SL



RECOMMENDED PCB LAYOUT  
(TOP VIEW)

**SPECIFICATIONS:**

Material:  
 Insulator: PBT, glass reinforced, thermoplastic, rated UL 94V-0  
 Insulator color: Black  
 Contacts: Phosphor Bronze  
 Contacts Plating:  
 Gold over Nickel underplate on contact area  
 Gold flash over Nickel underplate on solder tails  
 Electrical:  
 Operating voltage: 150V AC max.  
 Current rating: 1.5 Amps max.  
 Contact resistance: 20 Mohms max.  
 Insulation resistance: 500 Mohms min  
 Dielectric withstanding voltage: 1000 VAC for 1 minute  
 Temperature Rating:  
 Operating temperature: -40°C to +85°C  
 Environmental:  
 Lead free, RoHS compliant.



UNLESS OTHERWISE SPECIFIED  
 ALL DIMENSIONS ARE INCHES [MM]  
 TOLERANCES: EXCEPT AS NOTED  
 INCHES HOLES

.X ± .10	∅X ± .10
.XX ± .020	∅XX ± .015
.XXX ± .015	∅XXX ± .010

**ADAM TECH**  
**INTERCONNECTS**  
 909 Rahway Avenue,  
 Union, NJ 07083  
 Phone: 908-687-5000  
 Fax: 908-687-5710

APPROVALS		DATE
DRAWN	DY	10/27/08
CHECKED		
APPROVED		

TITLE MODULAR TELEPHONE JACK, 6P6C SIDE ENTRY		
SIZE X	PART NO. MTJ-66ARX1	REV. B
REF: S00065T	SCALE: NTS	SHEET 1 OF 1