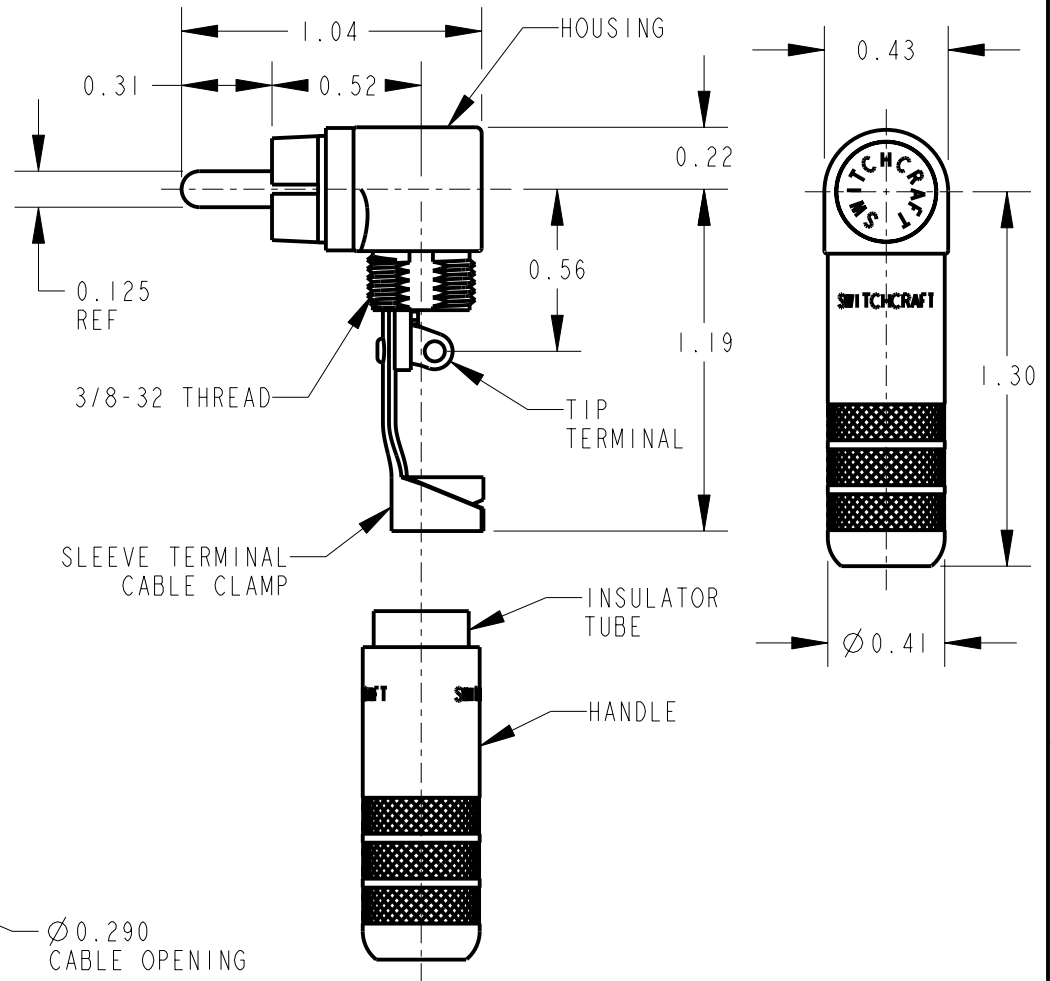
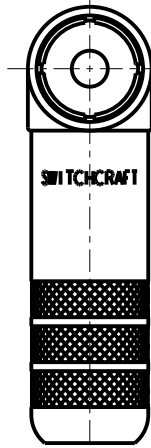
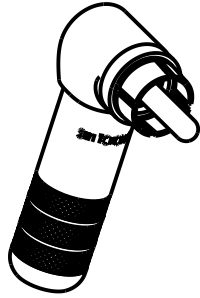


PART NUMBER	PHONO PLUG FINISH	HANDLE & HOUSING FINISH
3502RA	NICKEL PLATED	NICKEL PLATED
3502RAAU	GOLD PLATED	NICKEL PLATED
3502RABAU	GOLD PLATED	BLACK CHROME



NOTES:  
1. HANDLE AND INSULATOR SHIPPED UNASSEMBLED.

2. MATERIALS:  
HOUSING - ZINC ALLOY, SEE TABLE FOR FINISH  
PHONO PLUG - BRASS, SEE TABLE FOR FINISH  
PHONO PLUG INSULATOR - PHENOLIC  
SLEEVE TERMINAL - CRS, TIN PLATED  
TIP TERMINAL - BRASS, TIN PLATED  
TERMINAL INSULATOR - THERMOPLASTIC, BLACK  
HOUSING END CAP - BRASS, NICKEL PLATED  
GOLD PLATED ON P/N 3502RABAU  
INSULATOR TUBE - MYLAR  
HANDLE - BRASS, SEE TABLE FOR FINISH

3. THIS PRODUCT IS RoHS COMPLIANT.

CUSTOMER DRAWING

					★ STAR SYMBOL DENOTES CRITICAL DIMENSION	THIS DRAWING DESCRIBES A DESIGN CONSIDERED PROPRIETARY IN NATURE, DEVELOPED AND MANUFACTURED BY SWITCHCRAFT INC. AND IS RELEASED ON A CONFIDENTIAL BASIS FOR IDENTIFICATION PURPOSES ONLY.					
					UNLESS OTHERWISE SPECIFIED	SIZE	WIDTH	MULT	LBS/M	TEMPER	
					1. ALL DIMENSIONS IN INCHES - TWO PLACE DECIMALS ±0.01 - THREE PLACE DECIMALS ±0.005 - ANGLES ±1° - ALL DIA. CONCENTRIC WITHIN 0.005 T.I.R.	FINISH		MATERIAL			
					2. FEATURES ON THE SAME CENTERLINE MUST BE ALIGNED WITHIN ±0.002	SPEC No.		SPEC No.			
					3. REMOVE ALL BURRS	FIRST USED ON		SCALE		<b>Switchcraft®</b>	
						3:2					
B	24344	11-24-09	TJK	TJK		DATE DRAWN	BY	CHKD	APVD		
						24-Nov-09	TJK	TJK	TJK		
								11-24-09	11-24-09		
REV	ECO NUMBER	DATE	BY	APVD		NAME				PART No.	REV
					DO NOT SCALE DRAWING	RIGHT ANGLE PHONO PLUG, RoHS				3502RA SERIES	B