



ANATECH ELECTRONICS INC
RF & Microwave Filters & Products

361 MHz LC Band Stop Filter

Part Number: AE361NS2049



Electrical Specifications

Notch Center Frequency (Fo): 361 MHz
Rejection at Fo: 50 dB Min.
Pass band @ Low side: DC-346 MHz
Pass band at high side: 376-400 MHz
Passbands Return Loss: 14 dB
Insertion Loss @ Pass Bands: 1dB Max.
Power Handling: 20 W

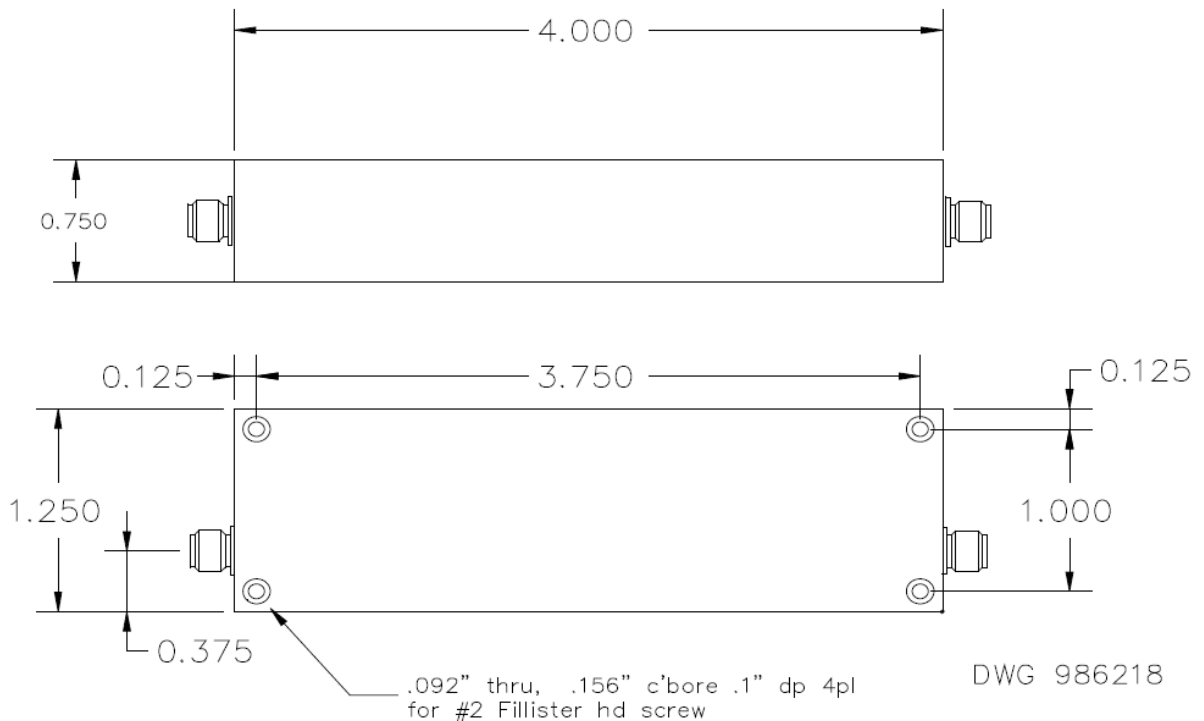
Mechanical

Mounting Method: Mounting Screws
Connector Type: SMA (F)
Dimensions: 4.00 x 1.25 x 0.75 Inches

Environmental

Operating Temperature: -25°C to +70°C
Storage Temperature: -75°C to +90°C
Shock: 10 G. 11ms
Vibration: 10 G. 5 to 200Hz

Outline Drawing:



2 decimal places: +/-0.01 inches [+/- 0.3mm]
 3 decimal places: +/- 0.005 inches [+/- 0.13mm]
 Angles: +/- 1 Deg.

Reference DCR: D052219-01A

When max dimensions are called out the above tolerances do not apply as long as it is under the max call out.

70 Outwater Lane Phone: (973) 772-4242
Garfield, NJ 07026 Fax : (973) 321-3941

Email: sales@anatechelectronics.com
Web: www.anatechelectronics.com