

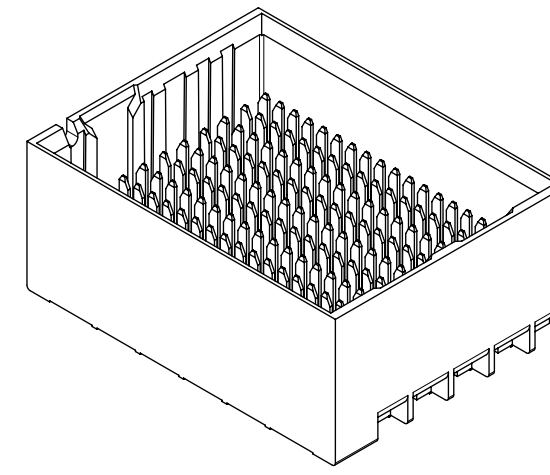
NOTES:

1. MATERIALS: HOUSING - LIQUID CRYSTAL POLYMER (LCP)
GLASS-FILLED, UL94V-0
TERMINALS - HIGH PERFORMANCE COPPER ALLOY
2. FINISH: 30μ IN MIN. GOLD IN CONTACT AREA, ELECTIVE MATTE TIN
ON PCB TAILS, NICKEL OVERALL.
3. REFER TO MOLEX PRODUCT SPECIFICATION PS-170540-999
FOR PERFORMANCE SPECIFICATIONS AND ADDITIONAL PCB INFORMATION.
4. THIS PART CONFORMS TO CLASS B REQUIREMENTS OF
MOLEX COSMETIC SPEC PS-45499-002.
5. PARTS PACKAGED PER PK-70873-7703.
6. SEE SHEETS 2 & 3 FOR PART NUMBERS AND BOARD RELATIONSHIPS.
7. MINIMUM CIRCUIT BOARD THICKNESS: 1.0mm
8. REFER TO MOLEX PCB ROUTING GUIDE AS-76060-990 FOR ANTIPAD AND
ROUTING RECOMMENDATIONS.
9. "THESE DIMENSIONS REPRESENT THE AREA NEEDED TO ACCOMMODATE
CONNECTOR INSERTION AND REPAIR ON THE PC BOARD. THIS IS REFERRED
TO AS THE "CONNECTOR KEEP OUT ZONE" AND DOES NOT REPRESENT THE
ACTUAL PERIMETER OF THE CONNECTOR. WHEN LAYING OUT A PC BOARD FOR
CONNECTORS STACK TOGETHER, USE A 1.9mm PROGRESSION."

THIS DRAWING CONTAINS INFORMATION THAT IS PROPRIETARY TO MOLEX ELECTRONIC TECHNOLOGIES, LLC AND SHOULD NOT BE USED WITHOUT WRITTEN PERMISSION												
MIGRATED TO NX EC NO: 168852 DRWN: ABABU01 CHKD: CD REV / APPR: GGA	2017/10/12 2017/11/30 2017/12/01		GENERAL TOLERANCES (UNLESS SPECIFIED)			DIMENSION UNITS MM		SCALE 4:1				
	ANGULAR TOL ± 2.0 °			DRWN BY JBINGHAM		DATE 2010/09/24		IMPACT 6-PAIR 85-OHM UNGUIDED BACKPLANE SALES ASSEMBLY DRAWING				
	4 PLACES ±		CHKD BY JLAURX		DATE 2010/09/24		PRODUCT CUSTOMER DRAWING					
	3 PLACES ±		APPR BY JLAURX		DATE 2013/02/07					SERIES 170535	MATERIAL NUMBER SEE CHART	
2 PLACES ± 0.13		DRAWING SIZE C		THIRD ANGLE PROJECTION		DOCUMENT NUMBER SD-170535-0001	DOC TYPE PSD	DOC PART 001	SHEET NUMBER 1 OF 3			
1 PLACE ± 0.25		DRAFT WHERE APPLICABLE MUST REMAIN WITHIN DIMENSIONS										
0 PLACES ±												

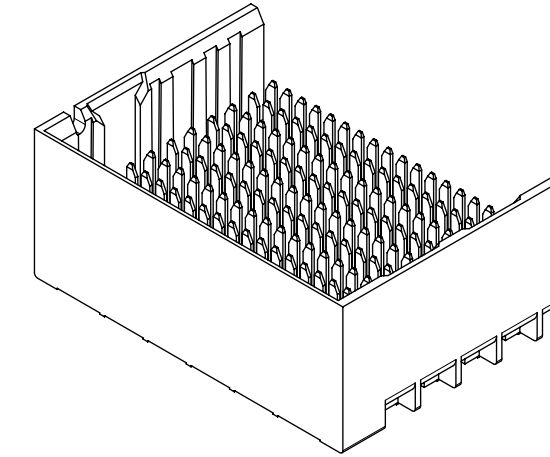
PART NUMBER CHART

MATERIAL NUMBER	# OF COLUMNS	# OF DIFF. PAIR	DIM. A	DIM. B	DUAL END WALL OPTION
170535-182*	8	48	17.9	13.30	
170535-112*	10	60	21.7	17.10	
170535-142*	14	84	29.3	24.70	
170535-162*	16	96	33.1	28.50	



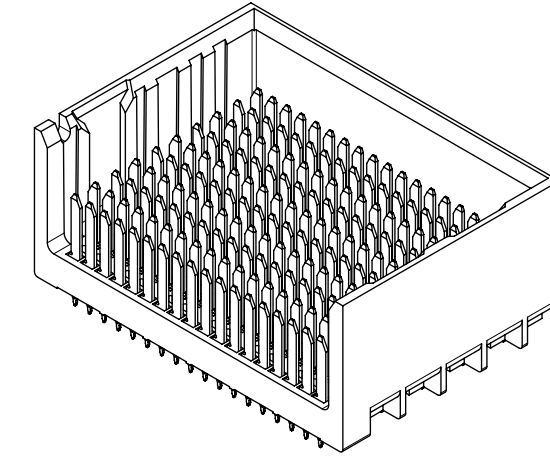
DUAL END
WALL OPTION

MATERIAL NUMBER	# OF COLUMNS	# OF DIFF. PAIR	DIM. A	DIM. B	LEFT END WALL OPTION
170535-181*	8	48	16.5	13.30	
170535-111*	10	60	20.3	17.10	
170535-141*	14	84	27.9	24.70	
170535-161*	16	96	31.7	28.50	



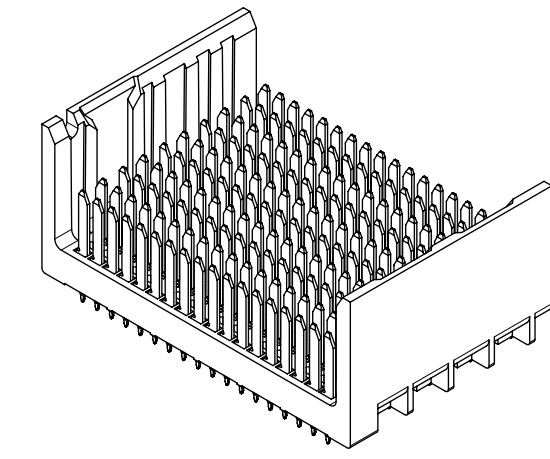
LEFT END
WALL OPTION

MATERIAL NUMBER	# OF COLUMNS	# OF DIFF. PAIR	DIM. A	DIM. B	RIGHT END WALL OPTION
170535-183*	8	48	16.5	13.30	
170535-113*	10	60	20.3	17.10	
170535-143*	14	84	27.9	24.70	
170535-163*	16	96	31.7	28.50	



RIGHT END
WALL OPTION

MATERIAL NUMBER	# OF COLUMNS	# OF DIFF. PAIR	DIM. A	DIM. B	OPEN WALL OPTION
170535-180*	8	48	15.1	13.30	
170535-110*	10	60	18.9	17.10	
170535-140*	14	84	26.5	24.70	
170535-160*	16	96	30.3	28.50	



OPEN
WALL OPTION

PART NUMBER LOGIC

170535-****

MODULE TYPE
1 = UNGUIDED, MATTE TIN

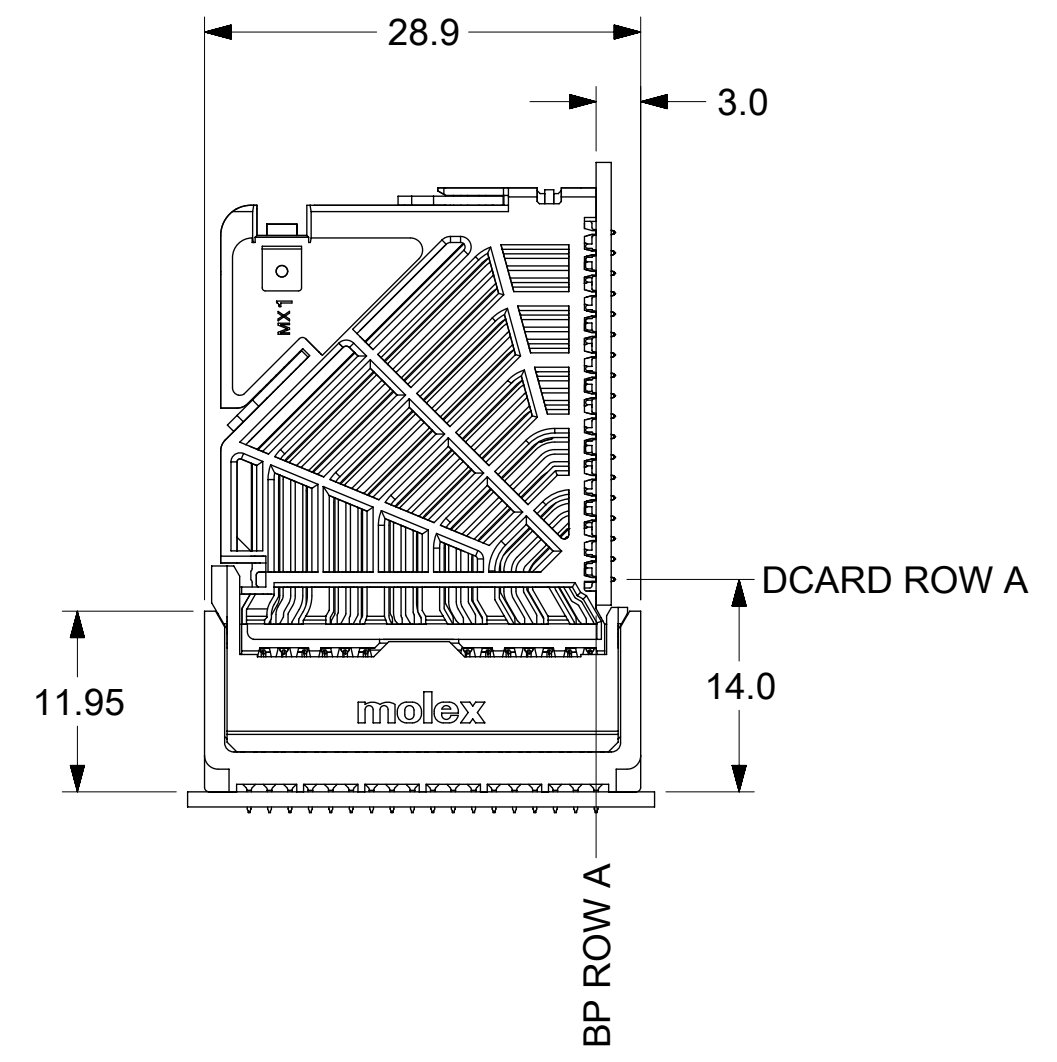
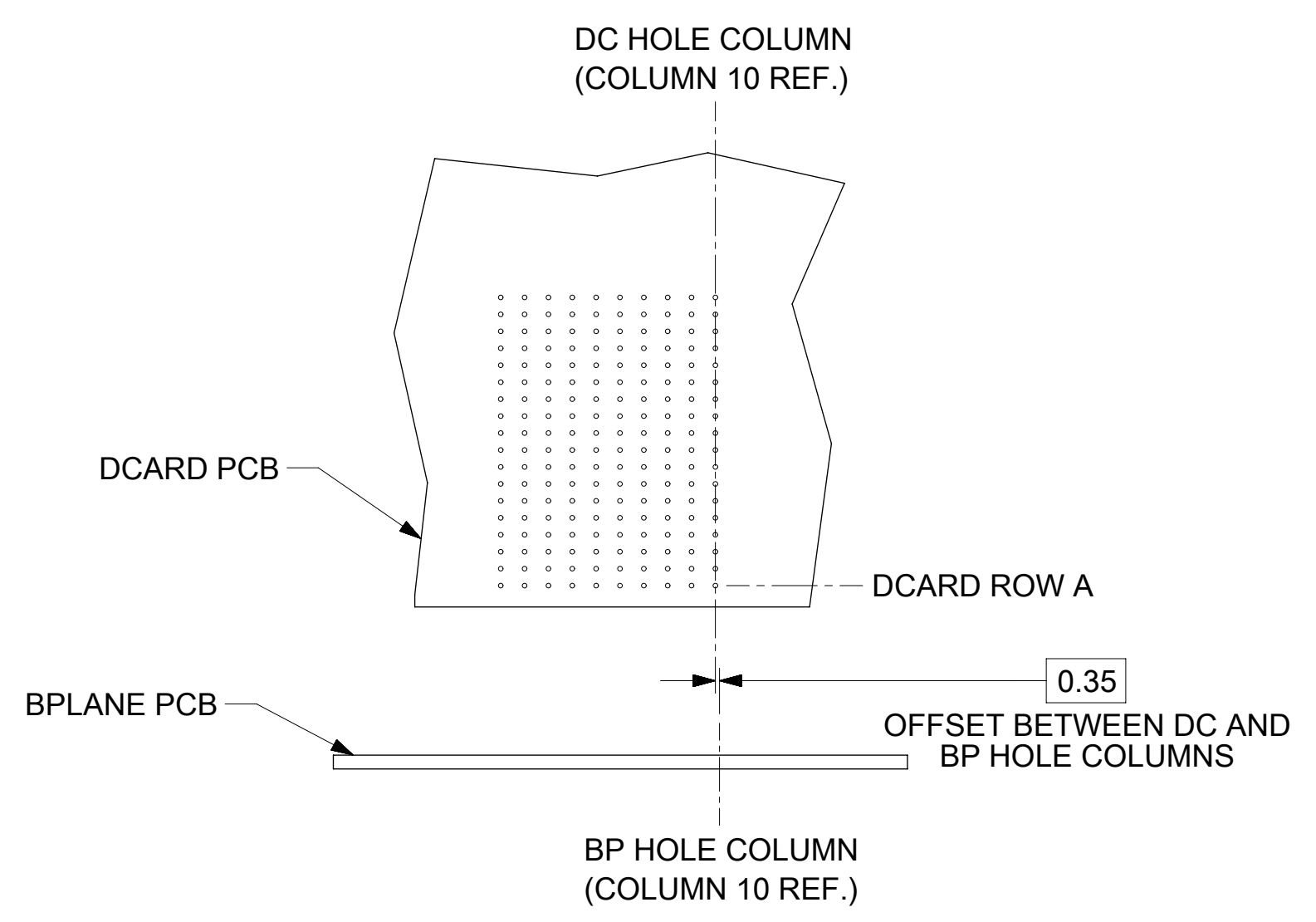
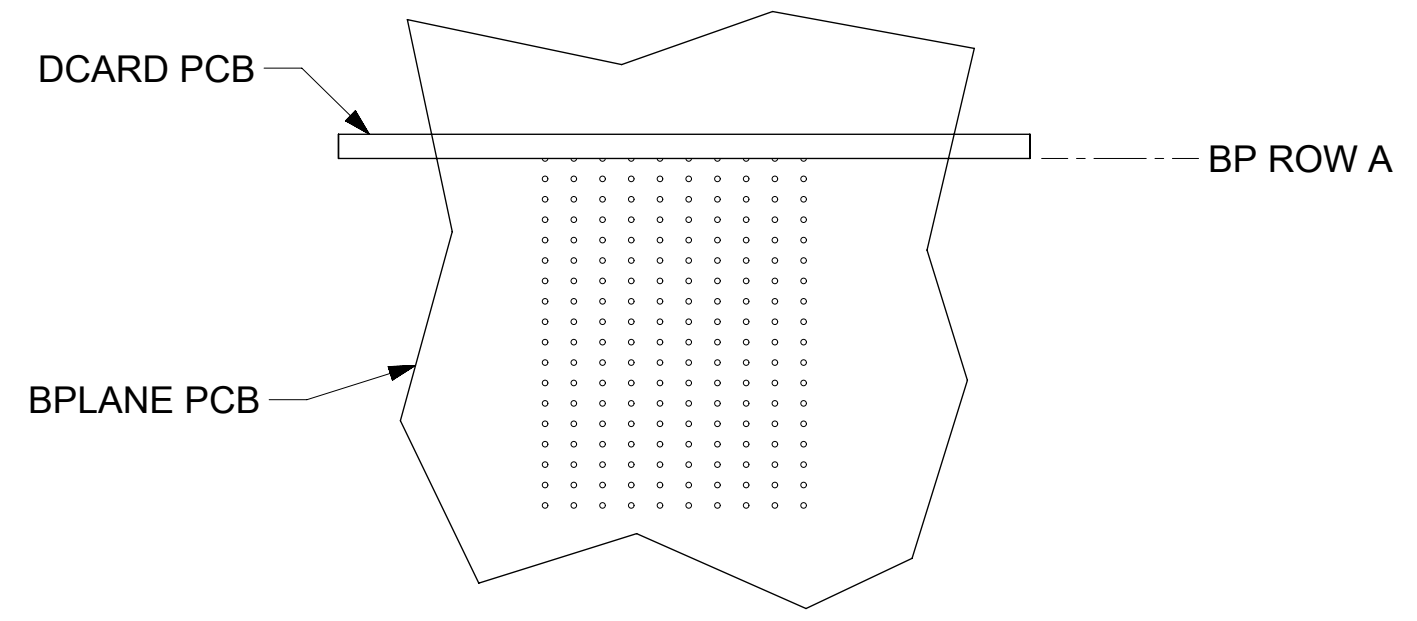
OF COLUMNS
8 = 8 COLUMN
1 = 10 COLUMN
4 = 14 COLUMN
6 = 16 COLUMN

P = PIN LENGTH
3 = 4.50 (SHORT COMPLIANT, 0.46±0.05 PTH)
4 = 4.90 (SHORT COMPLIANT, 0.46±0.05 PTH)
5 = 5.50 (SHORT COMPLIANT, 0.46±0.05 PTH)
6 = 4.50 (MICRO COMPLIANT, 0.39±0.05 PTH)
7 = 4.90 (MICRO COMPLIANT, 0.39±0.05 PTH)
8 = 5.50 (MICRO COMPLIANT, 0.39±0.05 PTH)

END WALL OPTIONS
0 = OPEN ENDS
1 = LEFT END WALL
2 = DUAL END WALL
3 = RIGHT END WALL

THIS DRAWING CONTAINS INFORMATION THAT IS PROPRIETARY TO MOLEX ELECTRONIC TECHNOLOGIES, LLC AND SHOULD NOT BE USED WITHOUT WRITTEN PERMISSION											
MIGRATED TO NX EC NO: 168852 DRWN: ABABU01 CHKD: CD REV: APPR: GGA	2017/10/12	2017/11/30	2017/12/01	GENERAL TOLERANCES (UNLESS SPECIFIED)		DIMENSION UNITS	SCALE	molex IMPACT 6-PAIR 85-OHM UNGUIDED BACKPLANE SALES ASSEMBLY DRAWING			
	ANGULAR TOL ± 2.0 °		MM	2:1							
	4 PLACES ±	3 PLACES ±	2 PLACES ± 0.13	1 PLACE ± 0.25	0 PLACES ±	DRWN BY	DATE	PRODUCT CUSTOMER DRAWING			
	DRAFT WHERE APPLICABLE MUST REMAIN WITHIN DIMENSIONS					JLBINGHAM	2010/09/24	SERIES MATERIAL NUMBER CUSTOMER			
						JLAURX	2010/09/24	170535	SEE CHART	GENERAL MARKET	
					JLAURX	2013/02/07	DRAWING SIZE THIRD ANGLE PROJECTION		DOCUMENT NUMBER DOC TYPE DOC PART SHEET NUMBER		
					C		SD-170535-0001	PSD	001	2 OF 3	

IMPACT 6 PAIR BOARD RELATIONSHIPS



THIS DRAWING CONTAINS INFORMATION THAT IS PROPRIETARY TO MOLEX ELECTRONIC TECHNOLOGIES, LLC AND SHOULD NOT BE USED WITHOUT WRITTEN PERMISSION											
MIGRATED TO NX	EC NO: 168852	2017/10/12	GENERAL TOLERANCES (UNLESS SPECIFIED)		DIMENSION UNITS	SCALE	molex				
	DRWN: ABABU01	2017/11/30	ANGULAR TOL ± 2.0 °		MM	2:1					
	CHKD: CD	2017/12/01	4 PLACES ±	DRWN BY	JBINGHAM		DATE		2010/09/24		
	REV / APPR: GGA		3 PLACES ±	CHKD BY	JLAURX		DATE		2010/09/24		
			2 PLACES ± 0.13	APPR BY	JLAURX		DATE		2013/02/07		
		1 PLACE ± 0.25	DRAFT WHERE APPLICABLE MUST REMAIN WITHIN DIMENSIONS		DRAWING SIZE	THIRD ANGLE PROJECTION	SERIES	MATERIAL NUMBER	CUSTOMER		
		0 PLACES ±			C		170535	SEE CHART	GENERAL MARKET		
							DOCUMENT NUMBER	PSD	DOC PART	SHEET NUMBER	
							SD-170535-0001	001	3 OF 3		