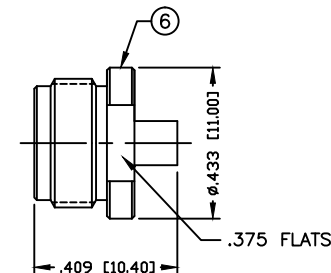
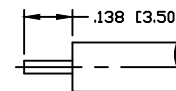
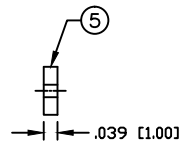
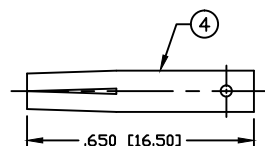
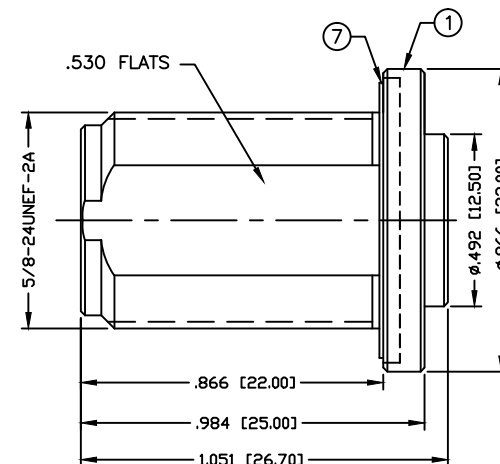
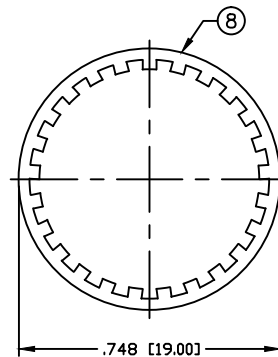
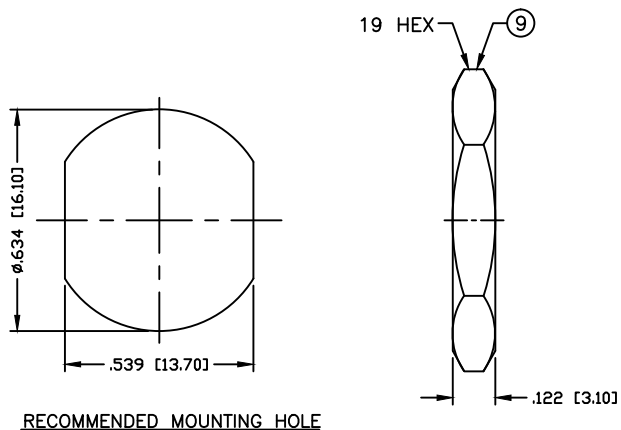


PART NO.

RFN-1022-SR1

REV	DESCRIPTION	DWN	DATE	APPROVED
-	ENGINEERING RELEASE	CZS	03/11/14	JDMc

**SPECIFICATIONS:**

IMPEDANCE: 50 Ohms

FREQUENCY RANGE: 0-11 GHz

VSWR: 1.3 Max.

INSERTION LOSS: .06 dB Max. X \sqrt{f} GHz

WORKING VOLTAGE: 1k V rms @ sea level

TEMPERATURE RANGE: -65°C TO 165°C

INSULATION RESISTANCE: 5k M Ohms min.

FOR .085 SEMI RIGID, RG-405/U & BELDEN 1671A CABLE

9	HEX NUT	1	BRASS	NICKEL, 100 μ "
8	WASHER	1	BRASS	NICKEL, 100 μ "
7	GASKET	1	SILICONE	---
6	SOLDER NUT	1	BRASS	GOLD, 3 μ "
5	INSULATOR	1	PTFE	---
4	CONTACT	1	PHOS BRONZE	GOLD, 3 μ "
3	INNER BODY	1	BRASS	NICKEL, 100 μ "
2	INSULATOR	1	PTFE	---
1	OUTER BODY	1	BRASS	NICKEL, 100 μ "

#	DESCRIPTION	QTY	MATERIAL	FINISH
---	-------------	-----	----------	--------

CUSTOMER
OUTLINE DRAWINGALL DIMENSIONS
ARE REFERENCE ONLYUNLESS OTHERWISE SPECIFIED:
DIMENSIONS ARE IN INCHES
AND [MILLIMETERS]DRAWN
C. ZUNIGA 03/11/14
CHECKEDORJ DRAWN
C. ZUNIGA 03/11/14**RoHS
COMPLIANT**PROPRIETARY AND CONFIDENTIAL
THIS DRAWING CONTAINS
INFORMATION PROPRIETARY TO
RF INDUSTRIES. ANY
UNAUTHORIZED USE OF THIS
DRAWING IS EXPRESSLY
PROHIBITED WITHOUT WRITTEN
PERMISSION FROM RF
INDUSTRIES. ANY VIOLATION IS
PUNISHABLE UNDER U.S.
COPYRIGHT LAWS.**RFconnectors**
DIVISION OF RF INDUSTRIES, LTD.7610 MIRAMAR RD.
SAN DIEGO, CA 92126
(858) 549-6340
(858) 549-6345 FAX**N JACK, BULKHEAD**
DOUBLE D FLAT & GASKET

SIZE	CABLE GROUP	DWG NO.	REV
A	SR1	RFN-1022-SR1	—
SCALE: NTS	ENGINEERING ID: 000000	SHEET 1 OF 1	