

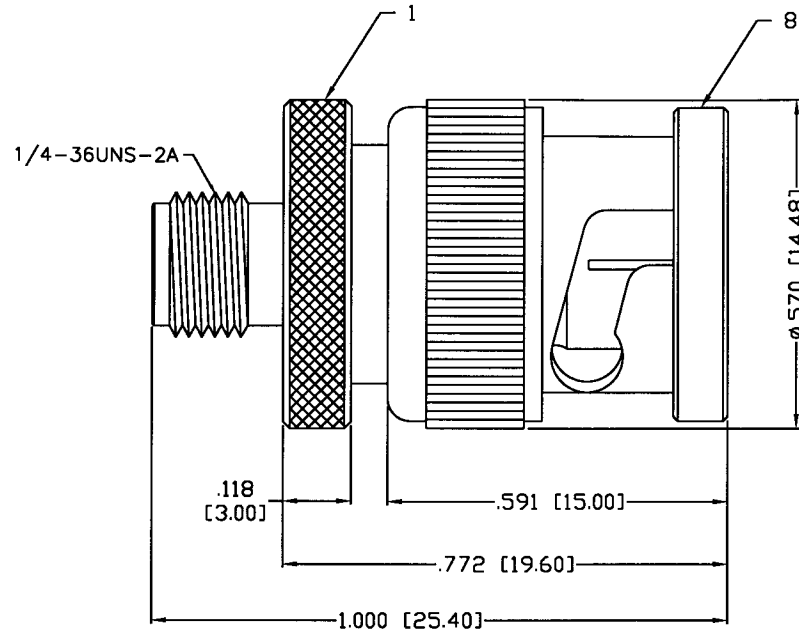
THIS DRAWING CONTAINS INFORMATION PROPRIETARY TO RF INDUSTRIES,
 ANY UNAUTHORIZED USE OF THIS DRAWING IS EXPRESSLY PROHIBITED
 WITHOUT WRITTEN PERMISSION FROM RF INDUSTRIES.
 ANY VIOLATION IS PUNISHABLE UNDER U.S. COPYRIGHT LAWS.

ALL DIMENSIONS ARE REFERENCE ONLY

PART NO.

RSA-3476

REV	DESCRIPTION	DWN	DATE	APPROVED
B	CHANGE PART NO. FROM RSA-2388 TO RSA-3476	WMD	8/11/93	C. JONES
C	CREATE SECTION DRAWING	KMM	7/14/94	R. RICE
D	CHG TO 1 PC DIE \ CHG CONTACT SHELL	KMM	10/5/96	R. RICE
E	UPDATE FORMAT AND SPECS	CZS	9/6/02	J.D. McR.



SPECIFICATIONS:

IMPEDANCE: 50 Ohms
 FREQUENCY RANGE: 0-4 GHz
 WORKING VOLTAGE: 335 V rms Max. @ Sea Level
 INSULATION RESISTANCE: 5k M Ohms min.
 TEMPERATURE RANGE: -65°C TO 85°C

1	BODY	1	BRASS	NICKEL, 100μ"
2	INSULATOR	1	PTFE	---
3	CONTACT	1	P. B.	GOLD, 3μ"
4	WASHER	1	BRASS	NICKEL, 100μ"
5	SPRING	1	SK5	---
6	RETAINING RING	1	BRASS	NICKEL, 100μ"
7	GASKET	1	RUBBER	---
8	COUPLING NUT	1	BRASS	NICKEL, 100μ"
9				
10				
11				
12				
13				
14				
#	DESCRIPTION	QTY	MATRL	FINISH

008974	
DRAWN	C. ZUNIGA
CHECKED	9/6/02
ORJ DRAWN	3/7/01
C. ZUNIGA	
APPROVALS	DATE

UNLESS OTHERWISE SPECIFIED:

- REMOVE ALL BURRS
- BREAK ALL CORNERS & EDGES .005 R. MAX.
- CHAMFER 1ST & LAST THREADS 45°
- SURFACE ROUGHNESS 63 FINISH MIL-STD-10
- DIAMETERS ON COMMON CENTERS TO BE CONCENTRIC WITHIN .002 T.I.R.
- ALL DIMENSIONS ARE AFTER PLATING.

DIMENSIONS ARE IN INCHES AND [MILLIMETERS]
 UNLESS OTHERWISE NOTED TOLERANCES ARE:

DECIMALS	DIAMETER
.xxx±.003 [.08]	.xxx±.001 [.03]
.xx±.005 [.13]	.xx±.003 [.08]

RF connectors
 DIVISION OF RF INDUSTRIES, LTD.

7610 MIRAMAR RD
 SAN DIEGO, CA 92126
 (858) 549-6340
 (858) 549-6345 FAX

**SMA JACK TO
 BNC PLUG ADAPTOR**

SIZE	CABLE GROUP	DWG NO.	REV
A	N/A	RSA-3476	E
SCALE: NTS		CAD FILE OUTLINE	SHEET 1 OF 1