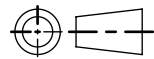
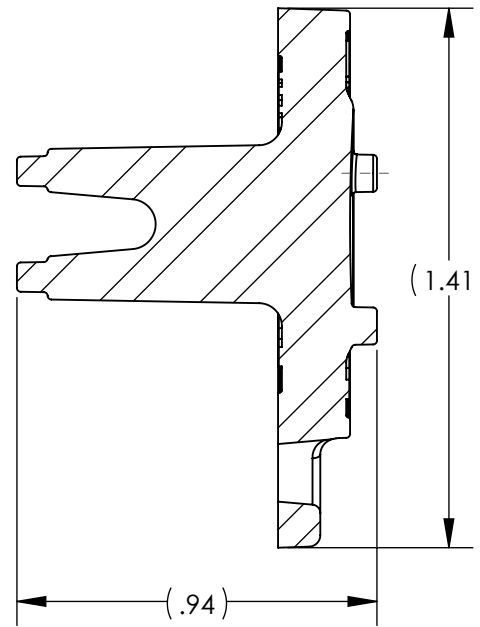
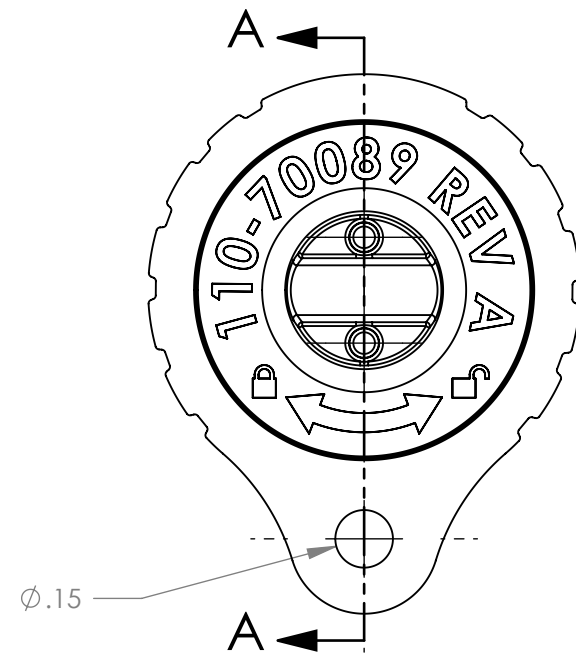
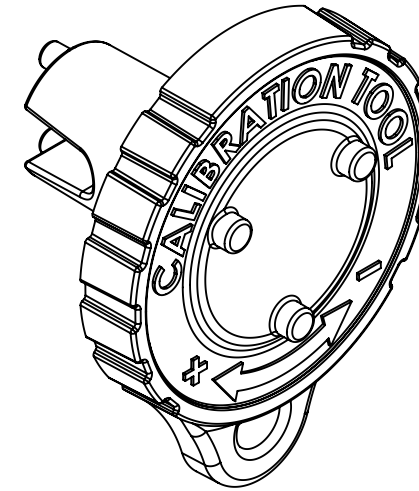
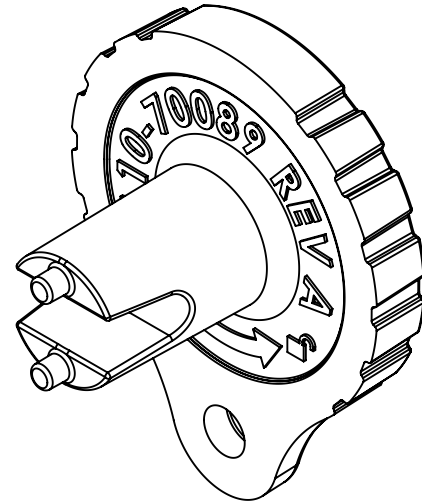


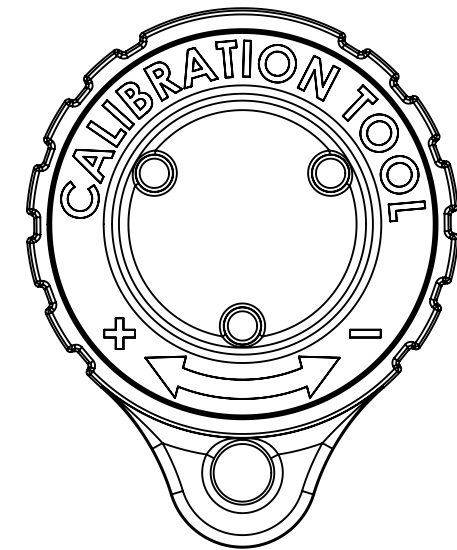
SW2010



Revision level		Revision Record	Changed	Date	Approved	Date
Drawing	Part					
00	A	SEE ECN# 300150	TJM	03/04/2014	TJM	03/04/2014



SECTION A-A



Notes

Material
STAINLESS STEEL

Units: inches
Dimension without tolerances details to:
.xxxx = ±.0005
.xxx = ±.005
.xx = ±.01
.x = ±.03
None = ±.06
∠ = ±0.5°
Dimension Formatted in [mm]

The copyright of this drawing is reserved by HellermannTyton. It is issued on condition that it is not reproduced, copied, or disclosed to a third party, either wholly or in part, without the consent of HellermannTyton.

Drawn TJM 03/04/2014
Approved TJM 03/04/2014
HellermannTyton
North America
Email: corp@htamericas.com
Web: www.hellermann.tyton.com

Article/Type-No 110-70089
Title CALIBRATION TOOL
Drawing-No 07-022-396-CSU
Production : Phase

Scale 2:1
Project Number PRP07-022
Format B
Sheet 1/1