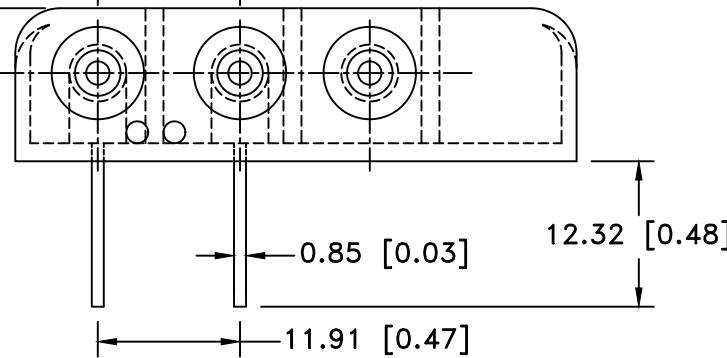
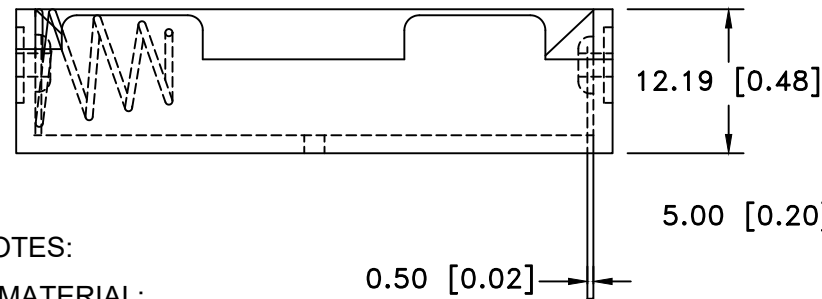
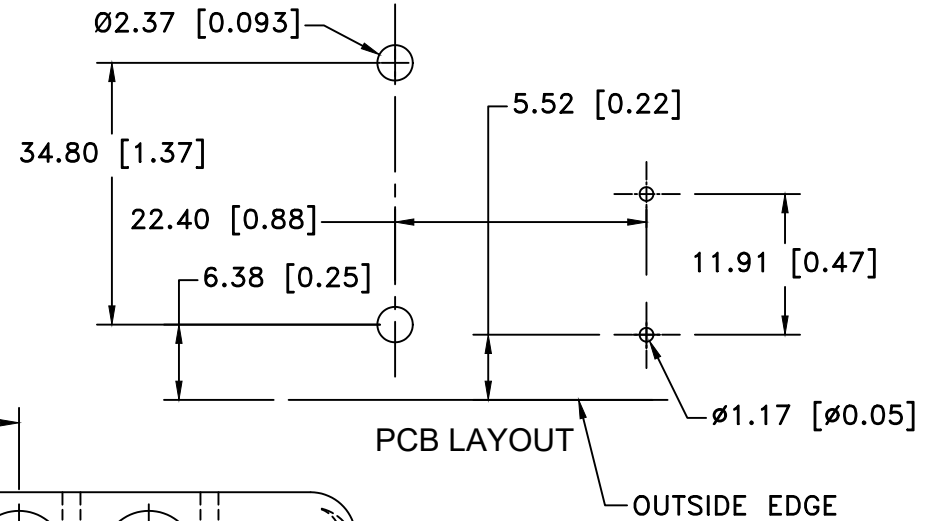


Date	SYM	REVISION RECORD	AUTH	DR.	CK.
06/14/13	B	UPDATED TITLE	T.B.	B.S.	
07/07/17	C	ADDED DIM. 02.74	T.B.	B.S.	
07/22/17	D	DIM. 0.050 WAS 0.051, DIM. 0.85 WAS 1.02	T.B.	B.S.	
03/07/19	E	UPDATED TO "ROHS COMPLIANT"	T.B.	B.S.	
10/16/20	F	DIM. 22.40 WAS 21.29	T.B.	B.S.	



NOTES:

1. MATERIAL:

HOUSING : BLACK POLYPROPYLENE
 FLAMMABILITY RATING- UL94-HB, UL FILE NO. E216959

RIVETS: BRASS, NICKEL PLATED.

SPRING: SPRING STEEL, NICKEL PLATED.

PC PINS: SPRING STEEL, NICKEL PLATED.


TEMPERATURE RANGE: -10°C TO +110°C

CONTACT RESISTANCE: UNDER 50mΩ FOR +/- CONTACTS PER
 EIA-540J000

ROHS COMPLIANT

MOUNTING INSTRUCTION:

USE 2-56 MACHINE SCREWS OR EYELETS 0.089" OD
 BY 0.15" FLANGE STIMPSON GS-3 SERIES OR EQUIVALENT.
 ALSO ADHESIVES AND DOUBLE SIDED TAPES WORK WELL.

Tolerance (Except as noted)	 Memory Protection Devices, Inc 200 Broad Hollow Road, Farmingdale, New York 11735		
decimal ±.5 (.020)		Scale	Drawn By B.S.
			Approved By T.B.
Fractional ± .8 (.030)	Title FOUR "AAA" CELL HOLDER WITH PC PINS		
Angular ± 3°	Date 10/16/20	Drawing Number BC4AAAPC	