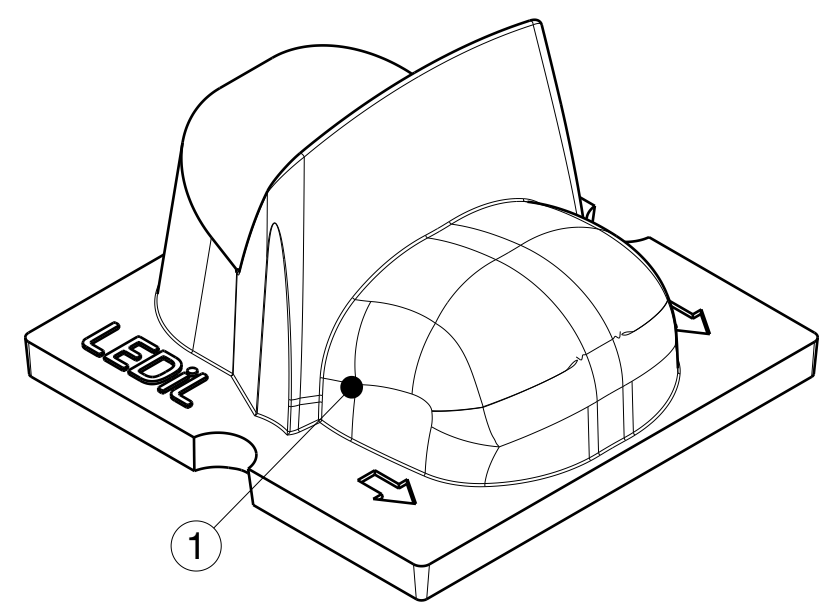
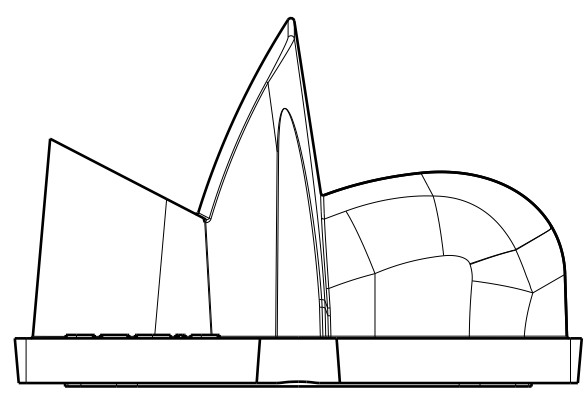
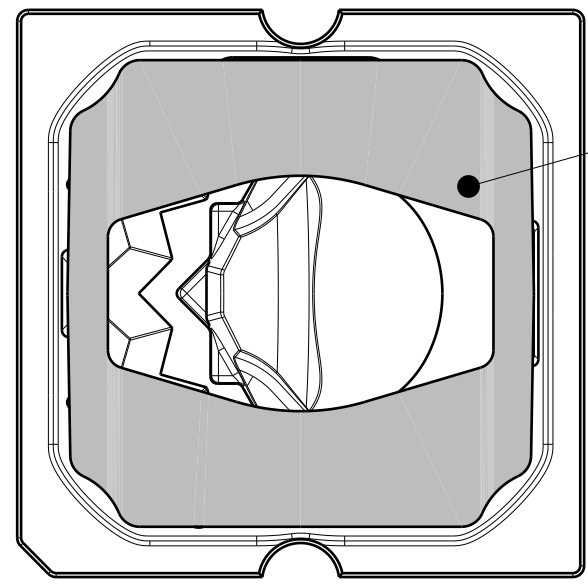
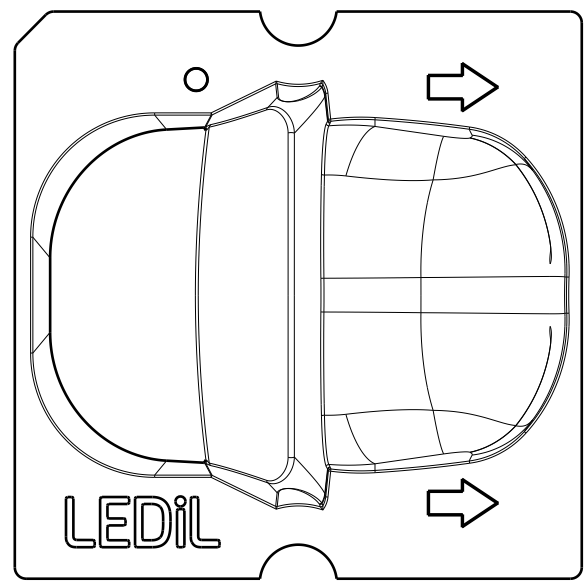


4



3



2

1

**Notes**

1	3D model Is always the master. For complete documentation this Drawing must be accompanied with related 3D model file name.format/date.
2	Inspection dimensions in this drawing are numbered: 1-x. Only dimensions with a dimension number are to be measured.
3	SPC dimensions are marked with full circle. Measurement frequency must be agreed separately.
4	Measurement planes for the part are defined by the datum reference A, B, C.
5	Sharp edges are allowed to have max. 0,x mm radius.
6	Gate cutting remain max 0,x mm.
7	Surface treatment SPI-xx
8	Surface treatment VDIxx
9	Surface treatment VDIxx
10	Surface treatment unless otherwise shown: SPI-xx
11	Pillow geometry as machined surface quality.
12	Material code:
13	Apply marking x in this area.
14	Ejector not allowed in optical areas. Allowed area shown with raster.

**COMPONENTS**

CA16470\_STRADA-SQ-FS3-NP

INDEX	PART	TYPE	MATERIAL	COLOR / COATING
1	C16469_STRADA-SQ-FS3-NP		PMMA 8N	
2	C14564_TAPE-ROSE		PU 2-sided adhesive foam tape	

<b>PRODUCTION DRAWING</b>		<b>LEDiL®</b>
FAMILY <b>STRADA</b>		
Plastic molding general tolerances are based on DIN 16901 and applies if not otherwise shown in drawing. Silicone molding general tolerances are based on ISO 3302-1:2014(E) and applies if not otherwise shown in drawing.	FIRST ANGLE PROJECTION: 	This drawing is the property of LEDiL Oy. It may not be reproduced, copied or communicated without a written agreement with LEDiL Oy.
SCALE 3:1	WEIGHT -	A3 SHEET 1/1