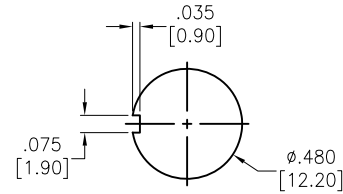
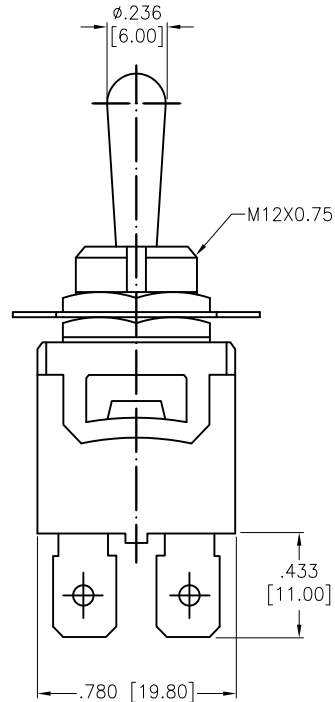
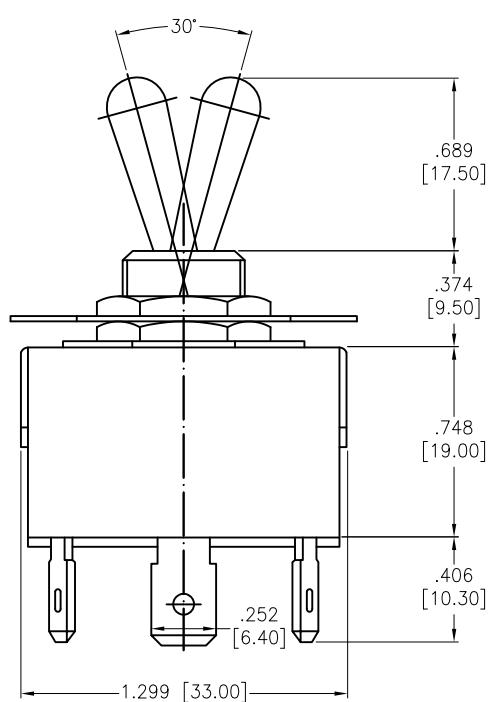
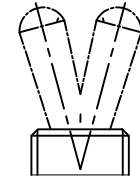


APPROVED: _____
 DATE: _____ TITLE: _____

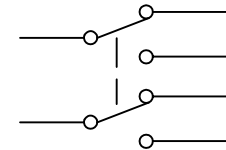
Rev	AWO #	Description	Date	Appr
-		RELEASED	8/10/21	



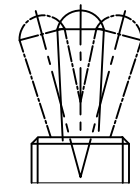
RECOMMENDED
 PANEL CUT-OUT



2 WAY



CIRCUIT DIAGRAM
 (DPDT)



3 WAY

SW-T1-4X-E-K2A

- B=ON-ON
- D=ON-(ON)
- E=ON-OFF-ON
- F=ON-OFF-(ON)
- G=(ON)-OFF-(ON)

SPECIFICATIONS:

Material:
 Body: Bakelite, Color: Black
 Lever: Brass, Nickel plated
 Terminal: Brass, Silver plated

Electrical:
 Rating: 10A @ 250V AC
 15A @ 125V AC

Contact resistance: 50 mΩ max
 Insulation resistance: 1000 MΩ min @ 500 VDC
 Dielectric withstanding voltage: 1500V AC for 1 minute
 Electrical Life: 10,000 cycles
 Temperature Rating:

Operating temperature: -25°C to +85°C

Environmental:

Lead free, RoHS compliant



UNLESS OTHERWISE SPECIFIED ALL DIMENSIONS
 ARE INCHES [MM]. TOLERANCES: EXCEPT AS NOTED

INCHES	HOLES
.X ± .10	ØX ± .10
.XX ± .020	ØXX ± .015
.XXX ± .015	ØXXX ± .010



909 Rahway Avenue,
 Union, NJ 07083
 Phone: 908-687-5000
 Fax: 908-687-5710

DRAWN	WX	8/10/21
CHECKED	RC	8/10/21
APPROVED		

TITLE SWITCH, TOGGLE MEDIUM, DPDT,
 PC TERMINALS .250 [6.35mm]

THIS DRAWING CONTAINS INFORMATION THAT IS PROPRIETARY
 AND SHOULD NOT BE USED WITHOUT PRIOR WRITTEN
 PERMISSION FROM ADAM TECH

SIZE X	PART NO. SW-T1-4X-B-K2A	REV. -
REF: S00204C	SCALE: NTS	SHEET 1 OF 1