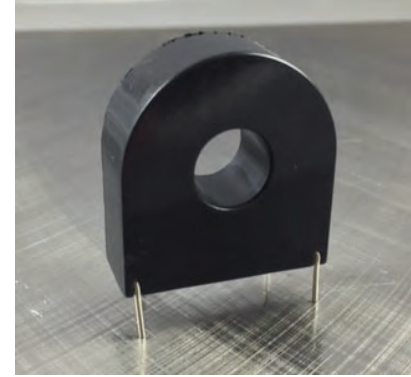
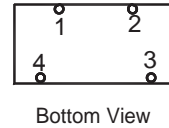
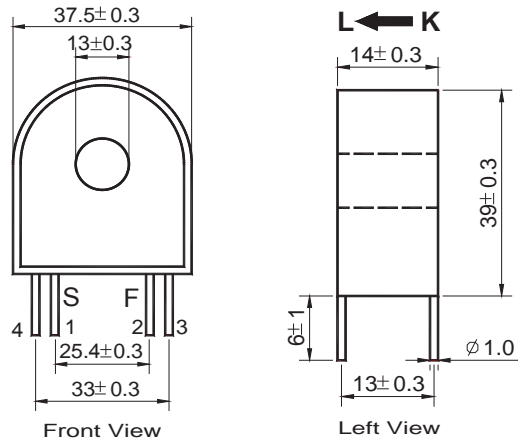


## ACT13

## Current Sensing Transformer



Dimensions: (MM)

**Features**

- Mini-Precision Current Transformer
- Good linearity over the entire range
- Ideal for Current Measurement, Monitoring & Protection Applications
- Standard Input Current 30-120A
- Frequency 50Hz-400Hz
- Custom designs available.
- Standard accuracy 0.1%,0.2%,0.5%
- ANSI C57.13 and IEC60044-1 Standards
- Constructed using UL approved materials

**Electrical**

HI-Pot: 4KV/1MA/1MIN

Insulation Resistance: 500mΩ @ 500VDC

Operating Temp: - 40°C ~ +85°C

Storage Temp: -45°C ~ +90°C

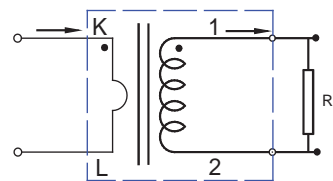
**Physical**

Weight: Approximately 50g

Allied Part Number *	Turns	Accuracy (%) *	Input Current (A)	Output Current (mA)	Load Resistor (Ω)
ACT13-30-012-_-100	2500	0.1,0.2,0.5	30	12	100
ACT13-30-015-_-100	2000	0.1,0.2,0.5	30	15	100
ACT13-50-020-_-100	2500	0.1,0.2,0.5	50	20	100
ACT13-50-025-_-100	2000	0.1,0.2,0.5	50	25	100
ACT13-80-032-_-100	2500	0.1,0.2,0.5	80	32	100
ACT13-80-040-_-100	2000	0.1,0.2,0.5	80	40	100
ACT13-100-050-_-100	2000	0.1,0.2,0.5	100	50	100
ACT13-100-040-_-100	2500	0.1,0.2,0.5	100	40	100
ACT13-120-060-_-100	2000	0.1,0.2,0.5	120	60	100
ACT13-120-048-_-100	2500	0.1,0.2,0.5	120	48	100

\*Specify desired accuracy by inserting code as follows: "01" for 0.1%, "02" for 0.2%, and "05" for 0.5%.

All specifications subject to change without notice.



note:

1. Primary current direction from K to L
2. Secondary current directions from S(1) to F(2)
3. RL: Output load resistance