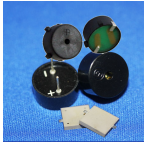


# CT15P-25S410-1

Former P/N: CT11PS-25410-1

 Rev. 4-2021  
 RoHS3 & REACH  
 Piezoelectric Sound Transducers


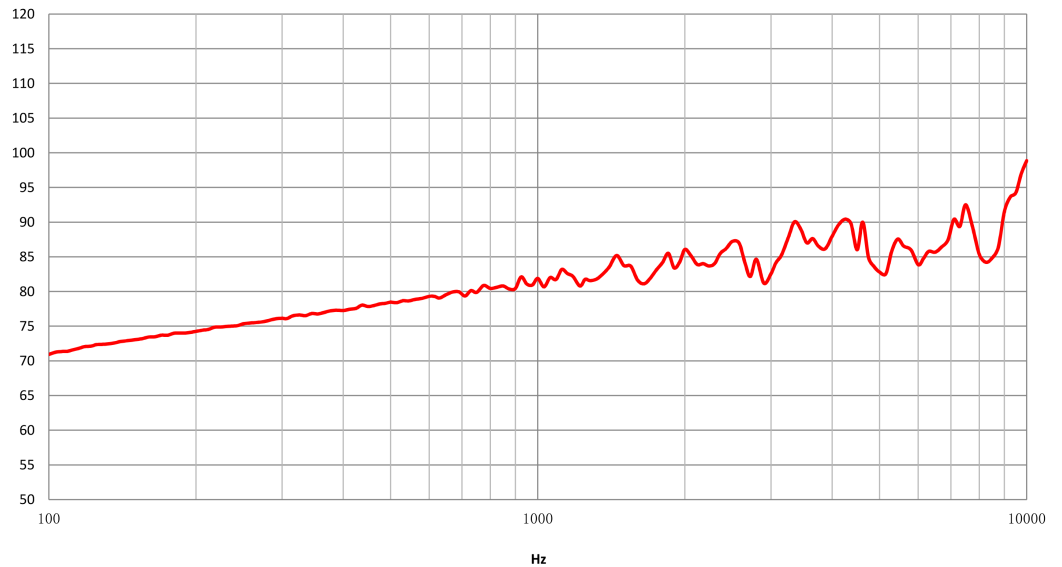
## Operating Characteristics

### ELECTRICAL

Rated Voltage	5 Vp-p
Max Operating Voltage	25 Vp-p
Max Current at V Rated	3 mA
Capacitance	13000 pF ± 30 % 120 Hz

### ACOUSTIC

Min SPL at V Rated	85 dB
Test Conditions	10 cm
$f_0$	4100 Hz



## Physical Characteristics

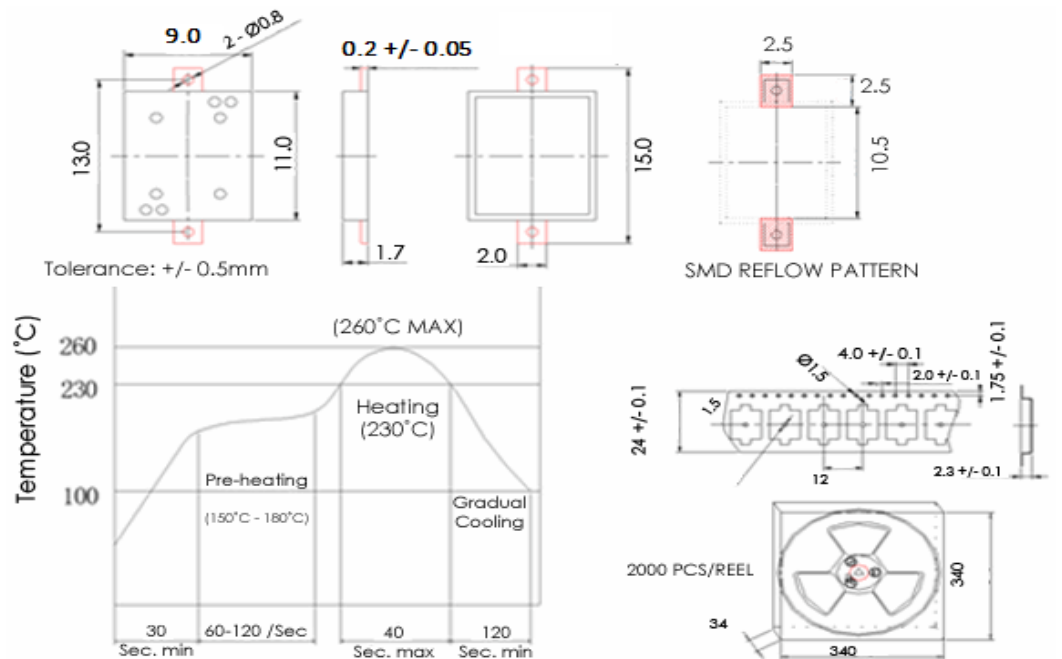
### MATERIALS

Housing	LCP
Diaphragm	Nickel
Solder Pad	Tin Plated Brass

### TEMPERATURE RANGES

Operating	-40 to +85 °C
Storage	-40 to +85 °C

Weight 0.2 g



All Measurements are mm unless noted otherwise.

Revision	Description	By	Date
3-2020	Updated mechanical drawing & frequency tolerance	SP	2020-09-08
4-2021	Updated housing material from White LCP to LCP	CT	2021-03-25

Warranty: For a period of one (1) year from date of shipping under normal operations conditions. This warranty does not apply to products damaged through misuse, abuse, improper installation, alteration, rework, or attempt to repair.

The information contained herein is believed to be correct, but no guarantee or warranty, express or implied, with respect to accuracy, completeness or results is extended and no liability is assumed. Challenge Electronics reserves the right to make changes in any specification, data or material contained herein.