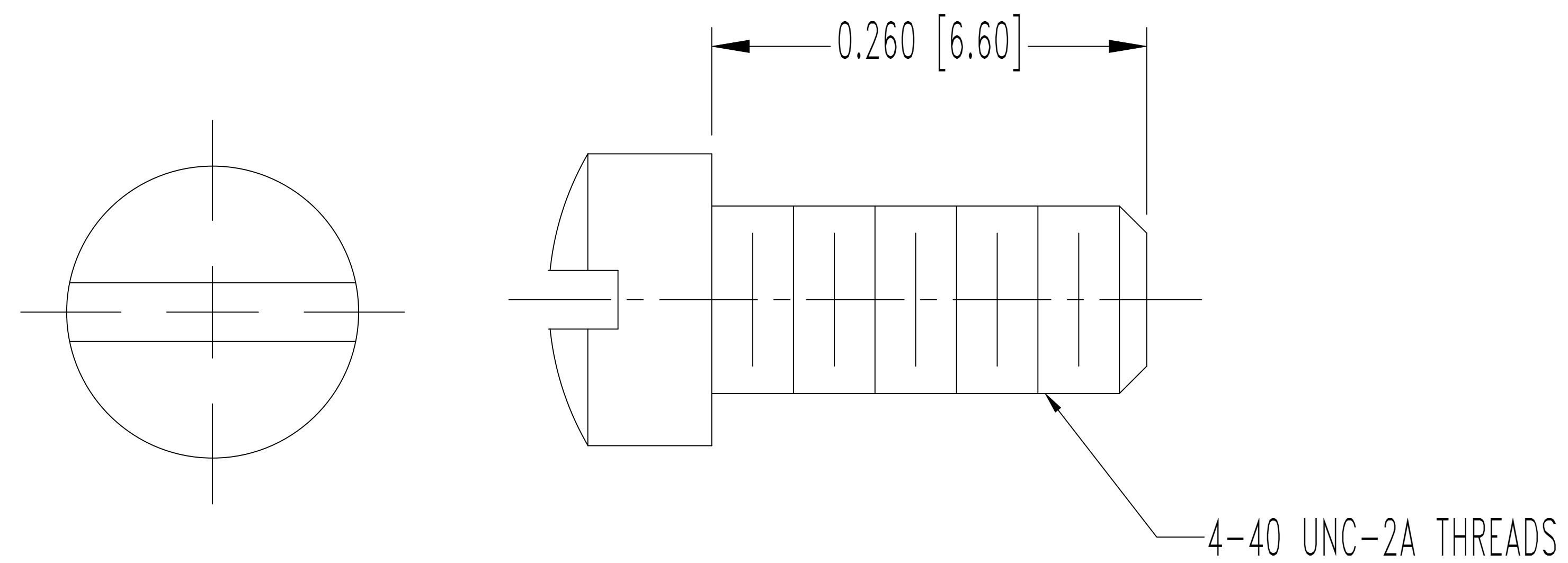


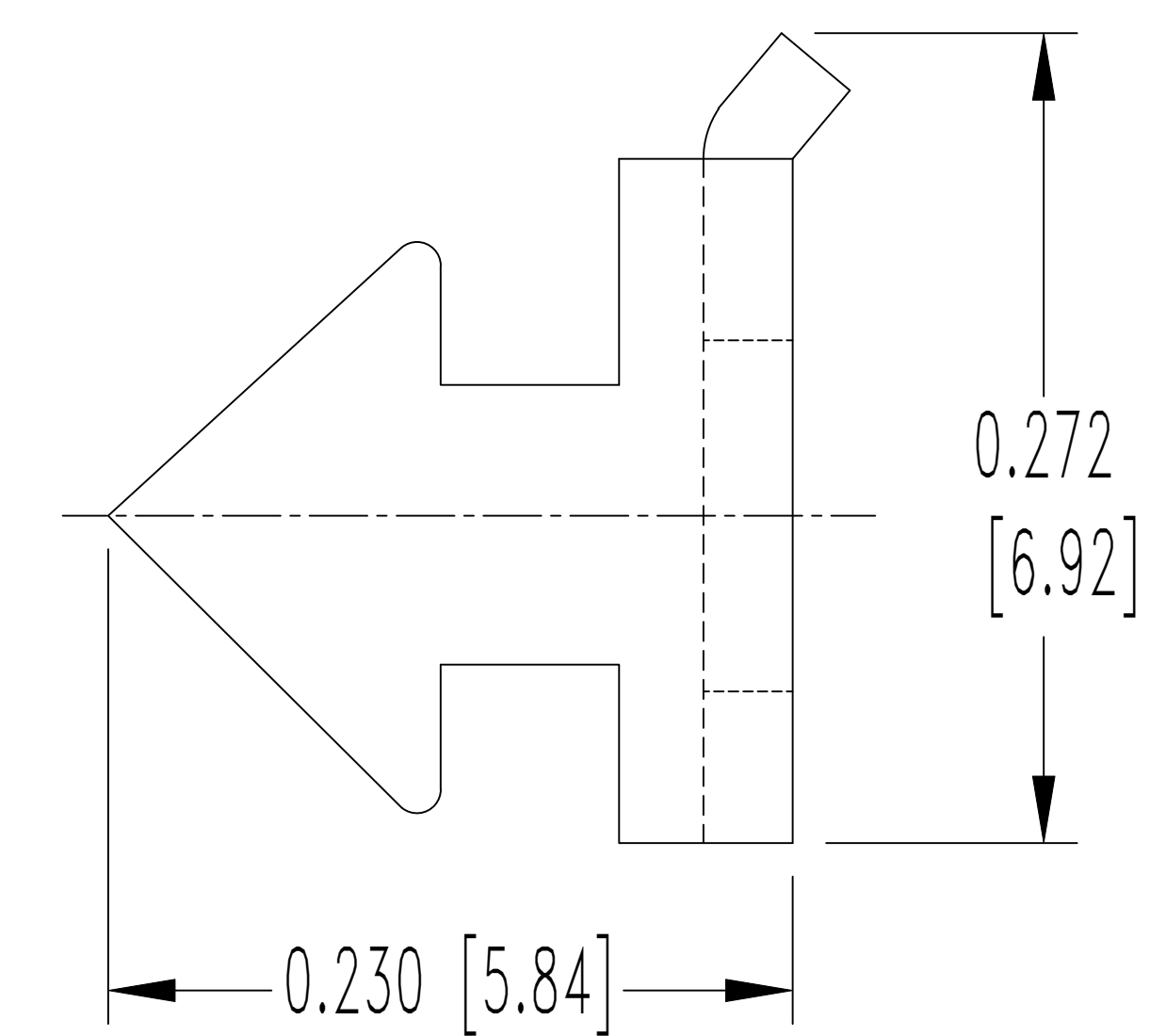
POSITRONIC INDUSTRIES BELIEVES THE DATA ON THIS DRAWING TO BE RELIABLE, SINCE THE TECHNICAL INFORMATION IS GIVEN FREE OF CHARGE, THE USER EMPLOYS SUCH INFORMATION AT HIS OWN DISCRETION AND RISK. POSITRONIC INDUSTRIES ASSUMES NO RESPONSIBILITY FOR RESULTS OBTAINED OR DAMAGES INCURRED FROM USE OF SUCH INFORMATION IN WHOLE OR IN PART.

DATE	REV	REVISION RECORD	APP	DR	CK
8-29-03	C	ECO 21352		ME	

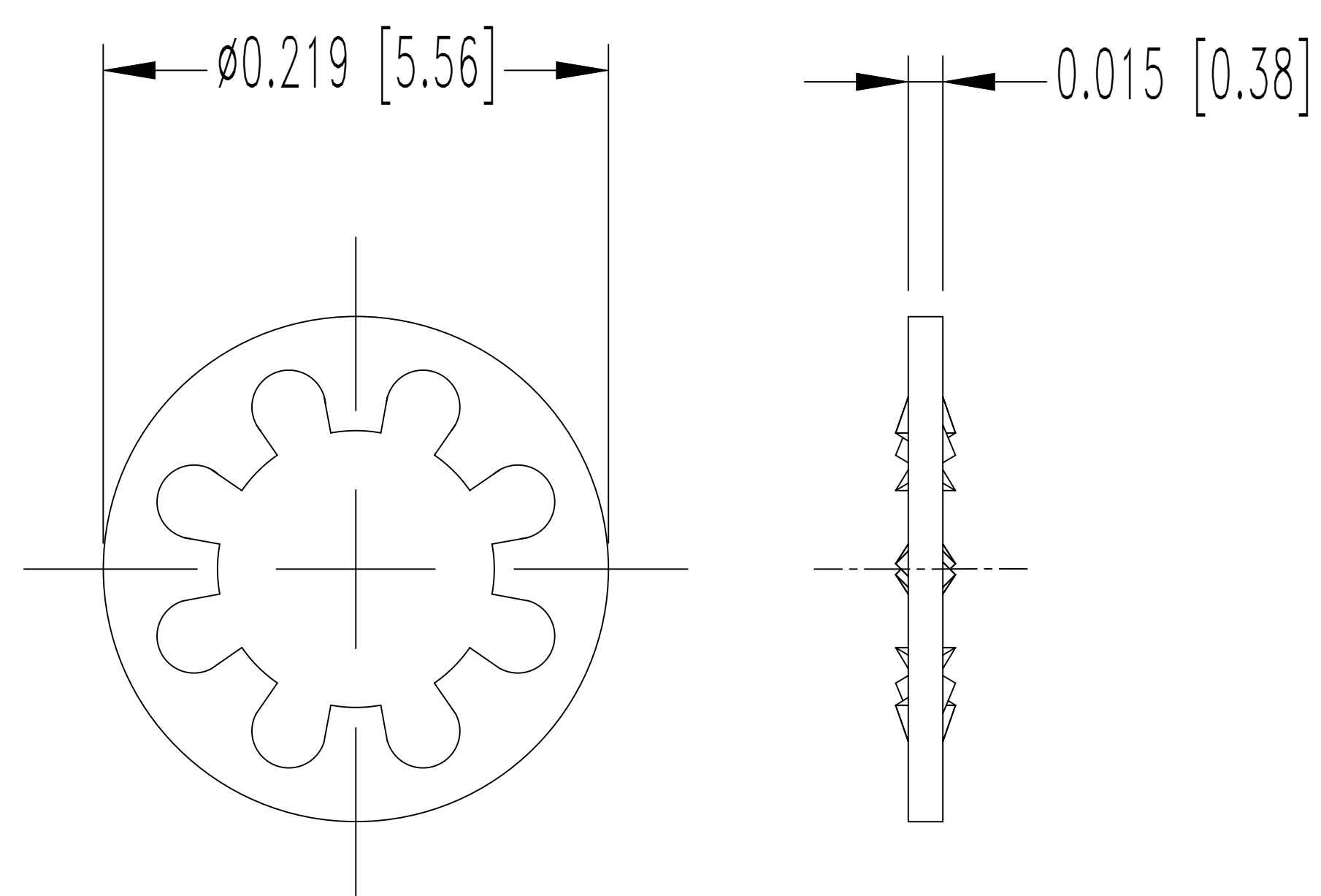
SCREW



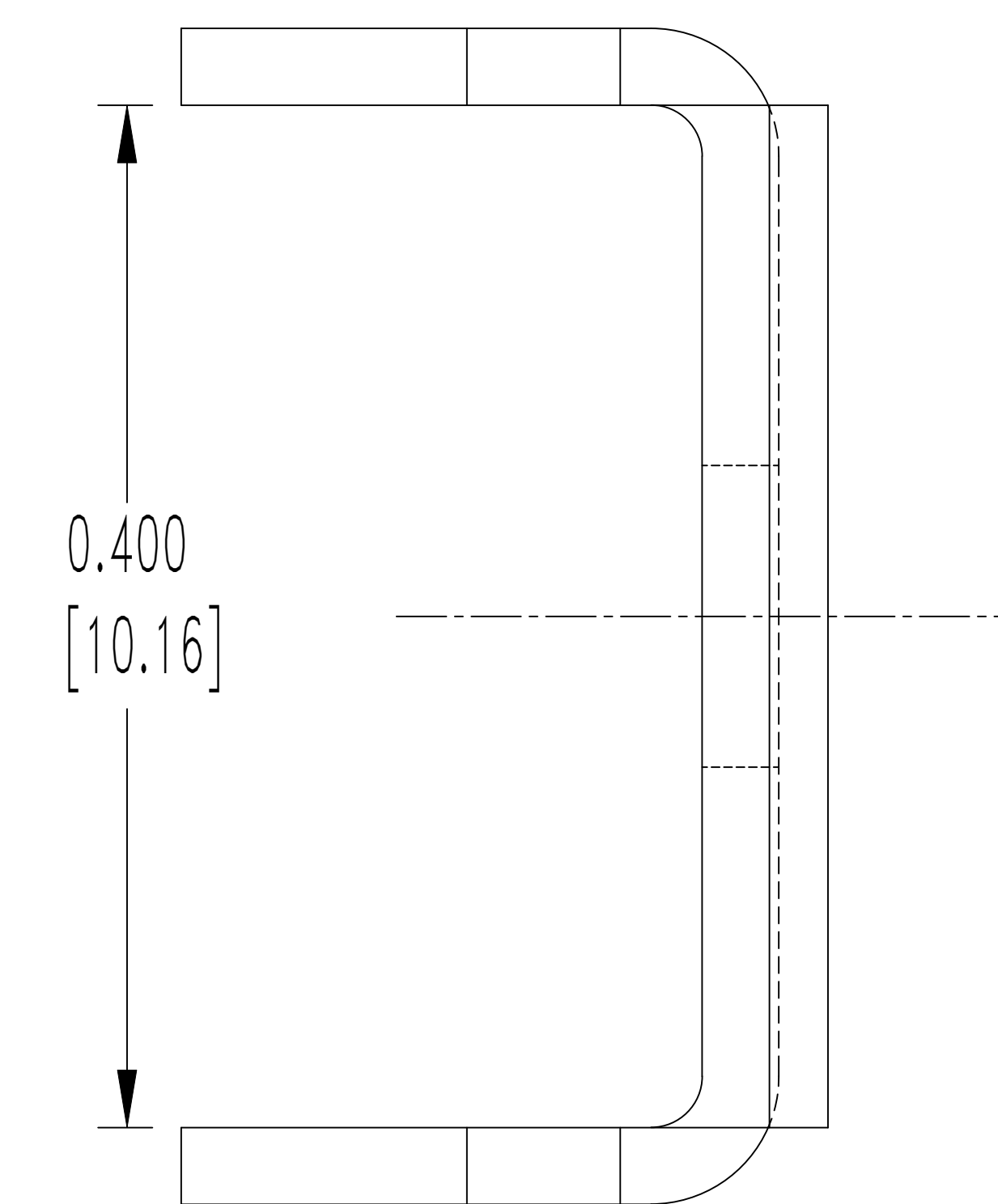
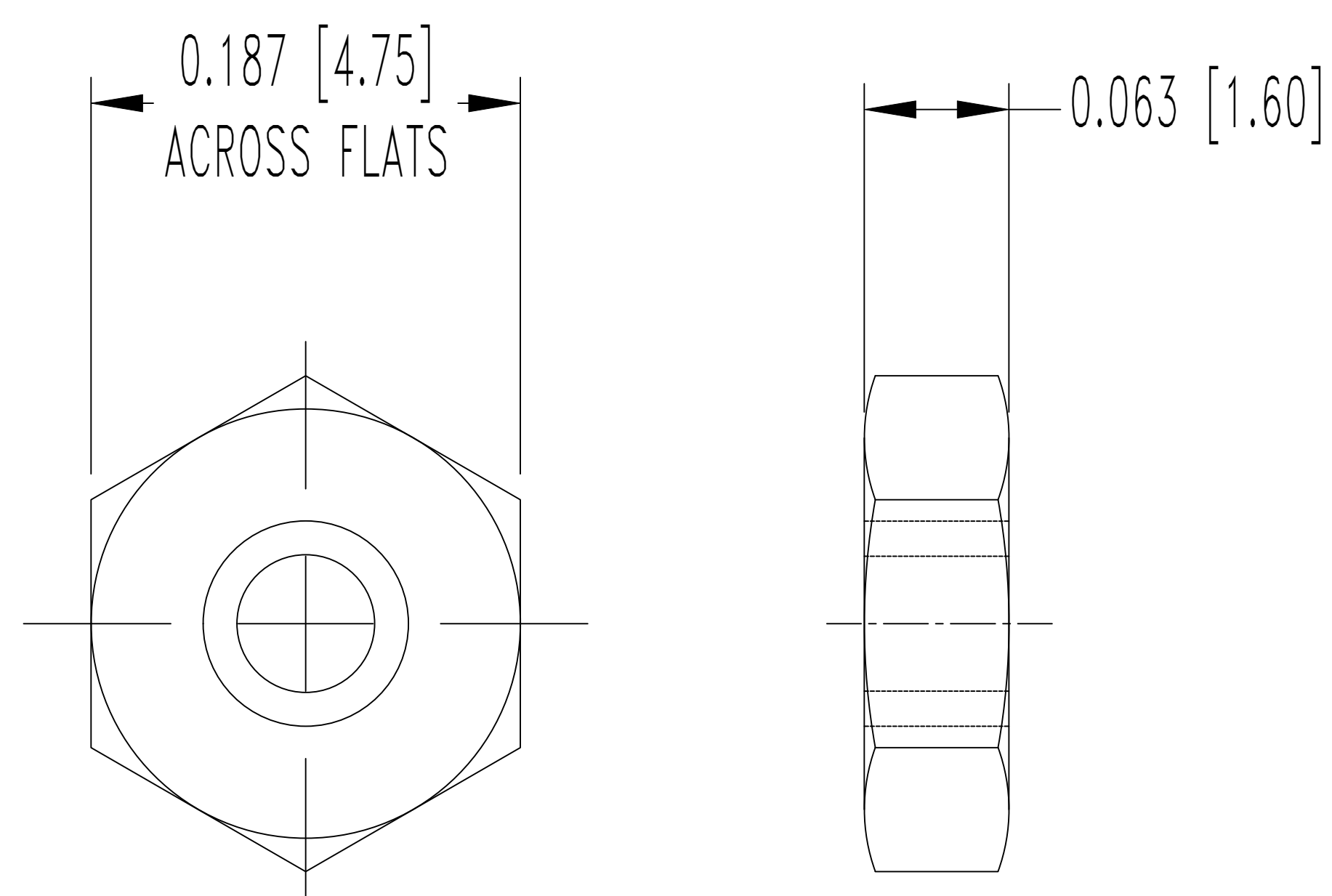
V3 LOCK TAB



LOCKWASHER

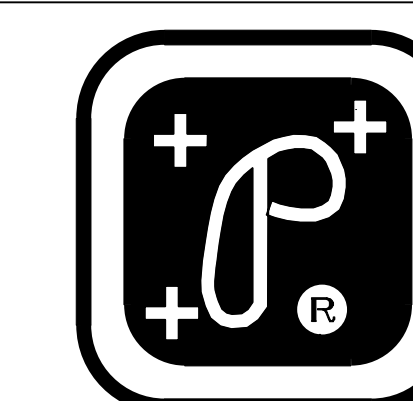


HEX NUT



NOTES:

- MATERIALS AND FINISHES:  
 LOCK TAB: STEEL, NICKEL PLATE.  
 LOCKWASHERS: BRONZE, ZINC PLATE WITH DICHROMATE SEAL.  
 HEX NUTS: BRASS, ZINC PLATE WITH DICHROMATE SEAL.  
 SCREWS: BRASS, ZINC PLATE WITH DICHROMATE SEAL.
- THIS KIT CONSIST OF: 2 LOCK TABS, 2 LOCKWASHERS, 2 HEX NUTS AND 2 SCREWS.
- DIMENSIONS ARE IN INCHES [MILLIMETERS].



**POSITRONIC INDUSTRIES INC.**  
 SPRINGFIELD, MISSOURI 65801

 DECIMAL TOL. ± 0.015 [0.38]	D SERIES	SCALE	DRAWN BY
		N.T.S.	M. ENEA
 ANGULAR TOL. ± 5°	TITLE		
	D9/370000V30		
DATE	DRAWING NUMBER	REV.	
8-29-03	SK4559-1	C	