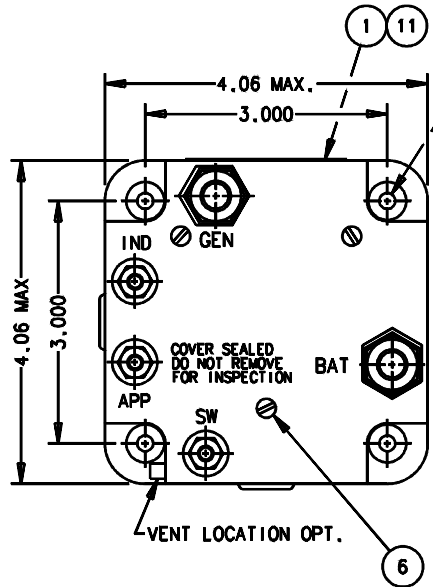


FAA/PMA

REVISIONS		RELEASED	
REV.	DESCRIPTION	DATE	APPROVED
G	31190 REDRAWN TO CAEDS; ADDED ITEM 11	96/10/10	RS
H	33356 FIND NOS 12 & 13 ADDED	97/07/24	RS
J	40555 *FAA/PMA* STAMP REPLACED	99/10/07	RS



1.196⁺.010
-.005 DIA. HOLE (REMOVE FINISH FROM BOTH SIDES OF THE .44 DIA)
4 MTG. HOLES

CONSTRUCTION
MAIN CONTACTS
CONFIGURATION
VOLTAGE
CURRENT

GASKET SEALED (VENTED)

SPST N.O.
28 VDC
400 AMP
1000 AMP FOR 30 SEC
1500 AMP INRUSH

DIFF. PICKUP
REV. I DROPOUT

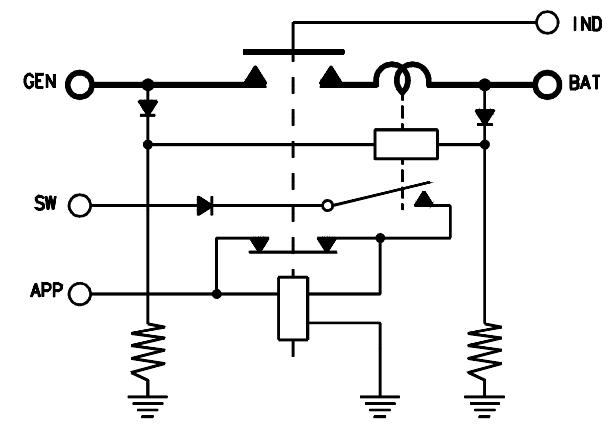
0.5 +/-0.15 VDC
25-50 AMPS

COIL DATA
VOLTAGE
PICKUP
PULL THROUGH
DROPOUT
RESISTANCE AT 25°C
PICKUP
HOLDING
PEAK INRUSH
DUTY

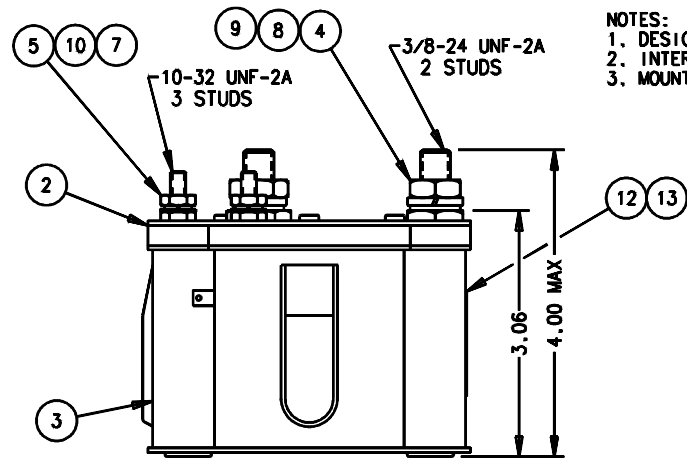
24 TO 30 VDC
15 VOLTS MAX
7 VOLTS MAX AT 25°C
0.5 - 7 VOLTS
7.5 OHM +/-20%
80 OHM +/-20%
3 AMP MAX
CONTINUOUS ECONOMIZING

AMBIENT TEMPERATURE
LIFE ELECTRICAL
WEIGHT

-55°C TO +71°C
50,000 CYCLES MIN
3 LBS. 10 OZ.



- NOTES:
1. DESIGNED TO MEET THE APPLICABLE PORTIONS OF MIL-C-5026 AND MIL-R-6106.
2. INTERMITTENT COIL DUTY FROM APP, 2 MIN. MAX
3. MOUNTING SURFACE SHALL PROVIDE ELECTRICAL GROUND



FIND NO	QTY REQD	PART OR IDENTIFYING NO	NOMENCLATURE OR DESCRIPTION	FSOM NO	DRAWING OR SPECIFICATION	MATERIAL OR NOTE
13	1	39529-024	OVERLAY			
12	1	58400-171	PLATE-FAA/PMA			
11	1	39529-001	OVERLAY - NAME PLATE			
10	3	51810-031	WASHER - LOCK, NO. 10 SPLIT			STEEL
9	2	51807-071	WASHER - LOCK 3/8 X .688 X .094 SPLIT			STEEL
8	2	51704-161	WASHER - 5/8 X .390 X .964			STEEL
7	3	51702-851	WASHER - 7/16 X 13/64 X .032			STEEL
6	3	51200-020	SCREW - 4 X 1/4 PAN HD, SHT, MTL.			S. STEEL
5	3	50410-086	NUT - 10-32 X 3/8 X 1/8 HEX.			BRASS
4	2	50407-166	NUT - 3/8-24 X 5/8 X 7/32 HEX.			BRASS
3	1	33491-010	PRIMARY ASSEMBLY			
2	1	33254-003	PLATE - BASE COVER			
1	1	16043-001	PLATE - NAME			

UNLESS OTHERWISE SPECIFIED DIMENSIONS ARE IN INCHES FOLLOWS OR

2 PL DEC.	3 PL DEC.	ANGLES
±.06	±.010	± 1°

MATERIAL

DR BY	RLS	99/11/02
CHK BY	RS	99/11/02
ENGR	JL	99/11/03
MFG	CC	99/11/04

RELEASE
CONTR NO.
GOVT APPVL

HARTMAN ELECTRICAL MANUFACTURING
MANSFIELD, OHIO

CUTOUT - REVERSE CURRENT
400 AMP - 28 VDC

093

SIZE	CODE IDENT	DWG NO.
C	74063	A-701D
SCALE	NONE	SHEET