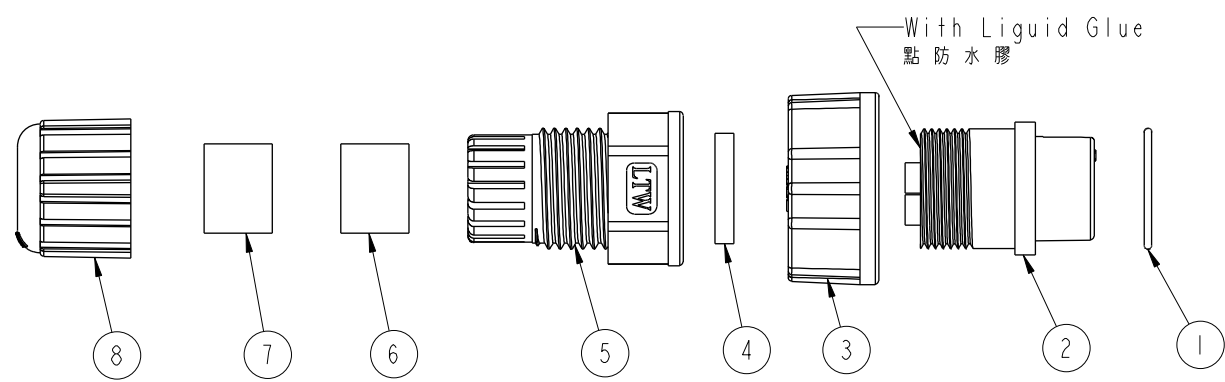


THIS DOCUMENT IS SUBJECT TO CHANGE WITHOUT NOTICE. IT IS CONFIDENTIAL AND A PROPERTY OF AMPHENOL LTW. DISCLOSURE TO THIRD PARTY HAS TO BE AUTHORIZED BY AMPHENOL LTW.

1	2	3	4	5	6	7	8
REV.	ECN NO.	DATE	SIGN	DESCRIPTION			

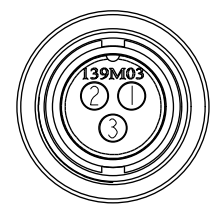
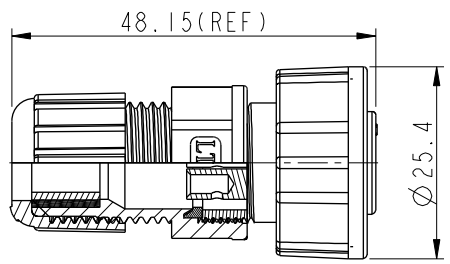


ALTW
CONFIDENTIAL
2012-04-09
R&D DEPT.

ALTW
DCC. DEPT.
CONFIDENTIAL
2012-05-09
ISSUED

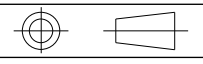
Note:

- * \varnothing Important Dimension.
(\varnothing 為重點尺寸)
- * Waterproof Rate: IP67
- * Seals B1 for Cable OD: $\varnothing 7.6\text{mm} \sim \varnothing 9.6\text{mm}$
(防水墊圈B1線徑: $\varnothing 7.6\text{mm} \sim \varnothing 9.6\text{mm}$)
- * Seals B2 for Cable OD: $\varnothing 4.0\text{mm} \sim \varnothing 7.6\text{mm}$
(防水墊圈B2線徑: $\varnothing 4.0\text{mm} \sim \varnothing 7.6\text{mm}$)
- * One Set Unassembled in One PE Bag
(每一組未組裝, 放置於一個PE袋, 並封口)
- * Ring: Black, EPDM
- * Housing: Black, Nylon+GF
- * Pin: Copper Alloy, Gold Plated
- * Screw Nut: Black, Nylon+GF
- * Gasket : Black, EPDM
- * Seals : Black, EPDM
- * Clamp Ring: Black, Nylon
- * Sealing Nut: Black, Nylon
- * Liquid Glue: Clear



Pin Assignments
Front View 前視圖

UNIT: mm



TITLE
Middle Assy Screw 3Pin F Conn F Pin

Amphenol LTW

安費諾亮泰企業股份有限公司

ITEM NO. CC-03BFFA-SL7001	DRAWN BY SamChang	DATE 2012-04-09
DWG NO. CC-03BFFA-SL7001	CHECKED BY Jeffrey	DATE 2012-05-09
CUSTOMER ALTW	APPROVED BY Lion	DATE 2012-05-09

TOLERANCE	
.X	±0.25
.XX	±0.1
.XXX	±0.05
ANGLES	±1°

SCALE 1:1	SIZE A4	SHEET 1	OF 1
REV. A	WC-REV. A.2	\varnothing : Inspection item	

F
E
D
C
B
A