

Customer Information Sheet

DRAWING No.: H2121-01

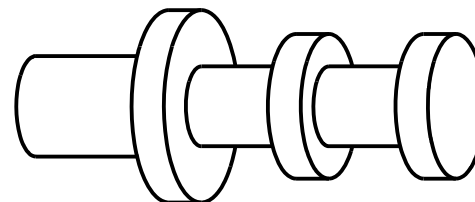
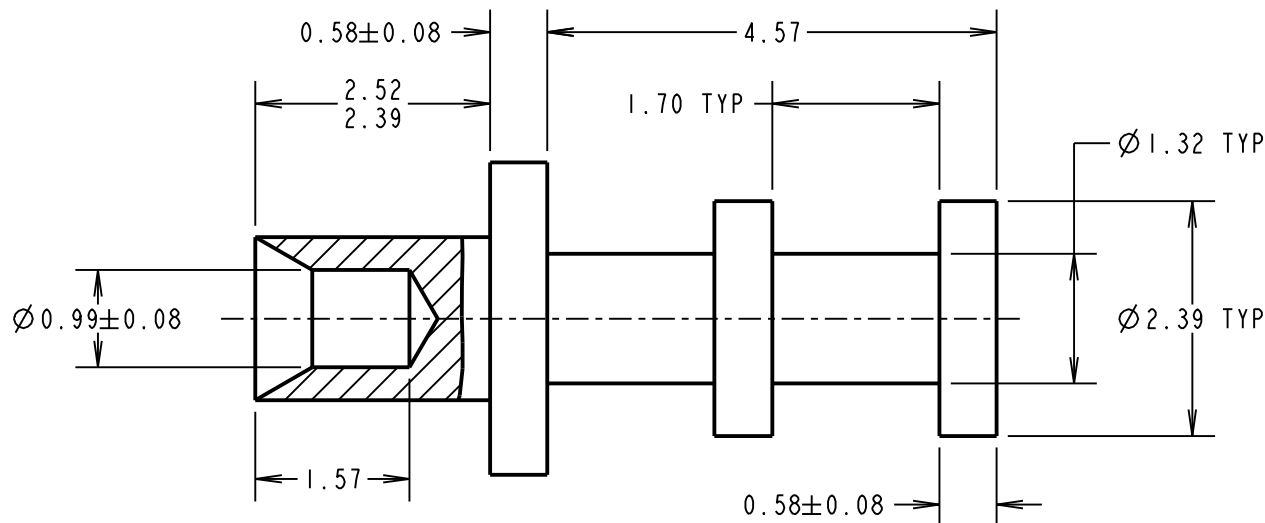
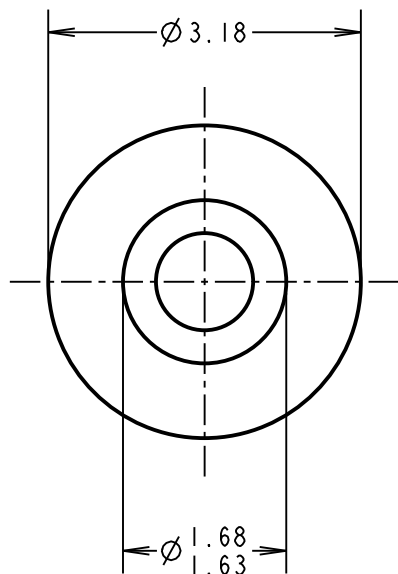
IF IN DOUBT - ASK

©

NOT TO SCALE

THIRD ANGLE PROJECTION

ALL DIMENSIONS IN mm



NOTES:

1. UNLESS OTHERWISE STATED, TOLERANCES = ± 0.13
2. RECOMMENDED HOLE SIZE = $\text{Ø} 1.69/1.74\text{mm}$
3. FOR USE WITH BOARD THICKNESS 1.60mm
4. USE PUNCH AND DIE TOOL PART NUMBER Z2121-00

MGP	16	14.01.19	21346
NAME	ISS.	DATE	C/NOTE
APPROVED: MGP			
CHECKED: SB			
DRAWN: J.KEIR			
CUSTOMER REF.:			
ASSEMBLY DRG:			

HARWIN

www.harwin.com
technical@harwin.com

THIS DRAWING AND ANY INFORMATION OR DESCRIPTIVE MATTER SET OUT HEREON ARE CONFIDENTIAL AND COPYRIGHT PROPERTY OF THE HARWIN GROUP AND MUST NOT BE DISCLOSED, LOANED, COPIED OR USED FOR MANUFACTURING, TENDERING OR FOR ANY OTHER PURPOSE WITHOUT THEIR WRITTEN PERMISSION.

~~TOLERANCES~~
~~X = $\pm 1\text{mm}$~~
~~X.X = $\pm 0.50\text{mm}$~~
~~X.XX = $\pm 0.10\text{mm}$~~
~~X.XXX = $\pm 0.01\text{mm}$~~
~~ANGLES = $\pm 5^\circ$~~
 UNLESS STATED

MATERIAL:
 ANNEALED BRASS
 CW614N M TO BS EN 12164
 FINISH: 100% TIN OVER NICKEL
 S/AREA: mm²

TITLE:
 TERMINAL
 DRAWING NUMBER:
 H2121-01
 SHT
 2 OF 2