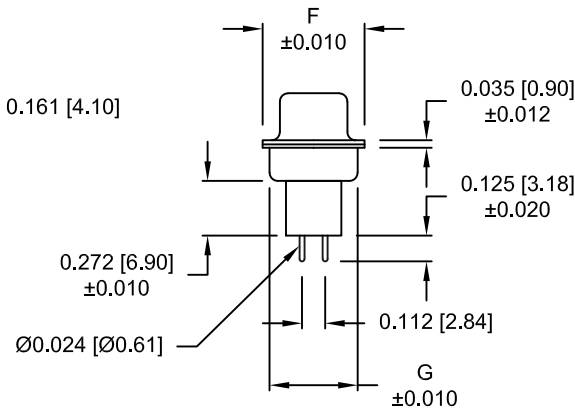
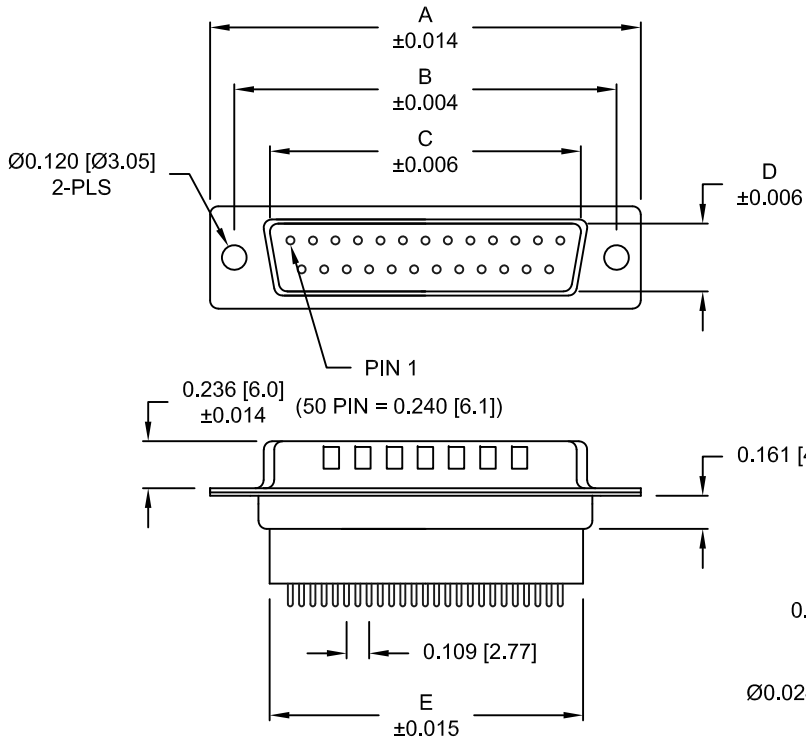


DESCRIPTION: MALE - DIP SOLDER - HIGH PROFILE

DIMENSIONS

No. OF PINS	A	B	C	D	E	F	G
9	1.213	0.984	0.666	0.329	0.618	0.496	0.429
	30.80	24.99	16.92	8.36	15.70	12.60	10.90
15	1.541	1.312	0.994	0.329	0.933	0.496	0.429
	39.15	33.32	25.25	8.36	23.70	12.60	10.90
25	2.087	1.852	1.534	0.329	1.496	0.496	0.429
	53.00	47.04	38.96	8.36	38.00	12.60	10.90
37	2.728	2.500	2.182	0.329	2.142	0.496	0.429
	69.30	63.50	55.42	8.36	54.40	12.60	10.90
50	2.638	2.402	2.079	0.436	2.039	0.602	0.535
	67.00	61.00	52.80	11.07	51.80	15.30	13.60



172-YYY-18YLYY1

- SERIES _____
- POSITIONS _____
- 009 _____
- 015 _____
- 025 _____
- 037 _____
- 050 _____
- GENDER _____
- 1 = MALE
- TERMINATION _____
- 8 = HIGH PROFILE VERTICAL
- SHELL PLATING _____
- 3 = NICKEL (GROUND INDENTS)
- RoHS COMPLIANT _____
- HARDWARE OPTIONS _____
- 00 = NO HARDWARE
- 01 = .098" CLINCH NUT (BOARD SIDE)
- 02 = .236" CLINCH NUT (BOARD SIDE)
- 03 = .236" CLINCH NUT (MATING SIDE)
- PLATING OPTIONS _____
- 1 = GOLD FLASH
- 2 = 30u" GOLD

MATERIAL:

- SHELL: STEEL, NICKEL PLATED
- INSULATOR: UL 94V-O RATED, PBT-BLACK
- PROCESS TEMP: 230°C
- CONTACTS: BRASS - GOLD PLATED

ELECTRICAL:

- CURRENT RATING: 5 AMPS
- CONTACT RESISTANCE: 15 mOhms Max.
- INSULATION RESISTANCE: 1,000 MOhms min.
- VOLTAGE: 500VAC FOR 1 MINUTE
- TEMPERATURE: -50° C TO 100° C

DO NOT SCALE FROM DRAWING



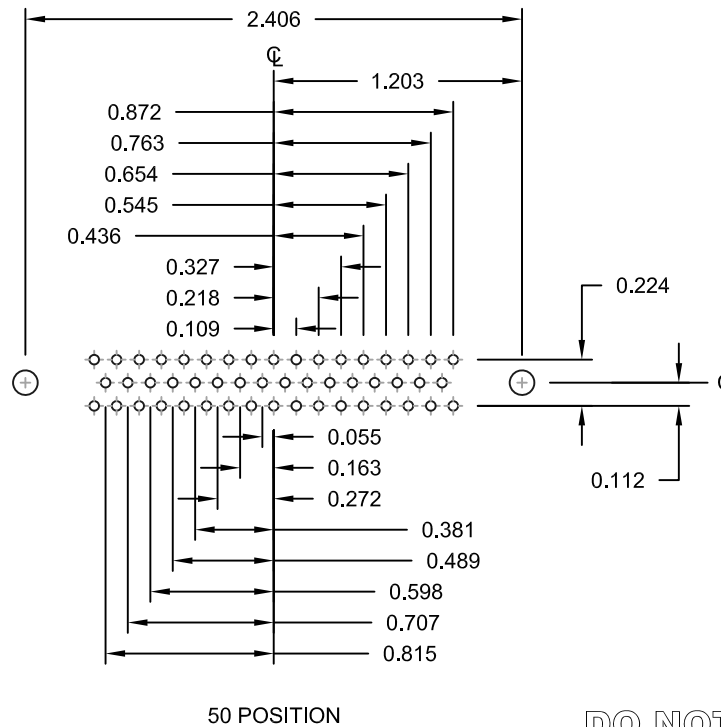
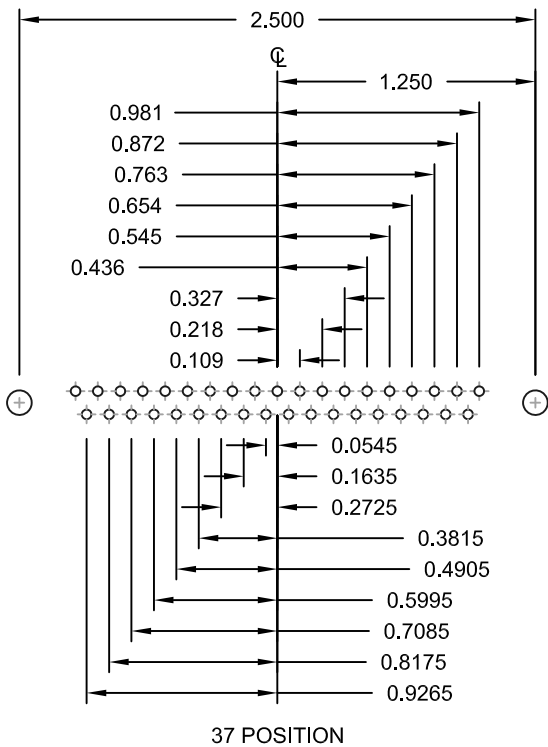
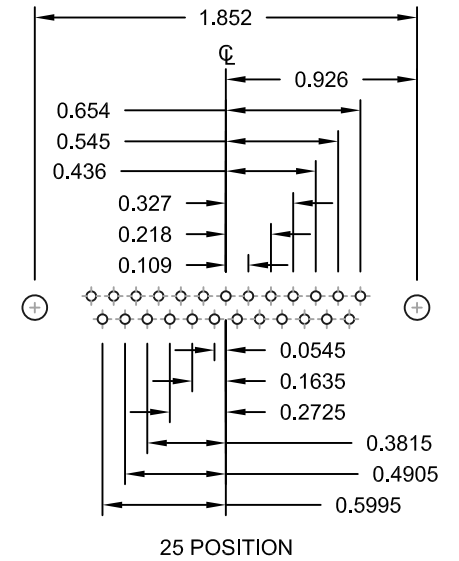
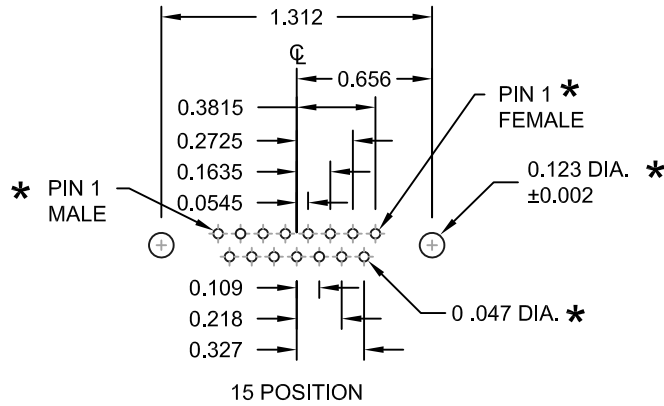
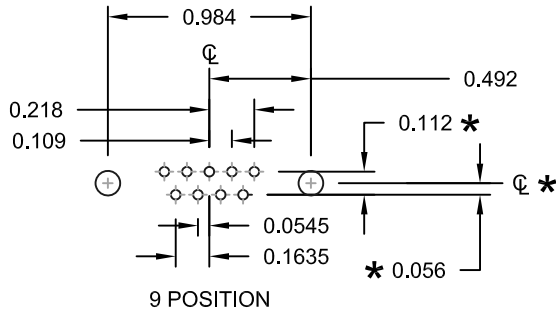
THESE DRAWINGS AND SPECIFICATIONS ARE THE PROPERTY OF NorComp AND SHALL NOT BE REPRODUCED, COPIED OR USED AS THE BASIS FOR THE MANUFACTURE OF SALE OF APPARATUS WITHOUT WRITTEN PERMISSION.

DRAWN: WAYNE ROBBINS		DATE: 08-23-98	
SCALE: NTS	SHEET 1 OF 3	REV 17	
DWG NO. 172-YYY-18YLYY1			

RoHS COMPLIANT

NorComp

DESCRIPTION: PCB LAYOUT - STANDARD "D" - MALE & FEMALE



* TYP. ON ALL SIZES

DO NOT SCALE FROM DRAWING



THESE DRAWINGS AND SPECIFICATIONS ARE THE PROPERTY OF NorComp AND SHALL NOT BE REPRODUCED, COPIED OR USED AS THE BASIS FOR THE MANUFACTURE OF SALE OF APPARATUS WITHOUT WRITTEN PERMISSION.

DRAWN: WAYNE ROBBINS

DATE: 08-23-98

NorComp

SCALE: NTS SHEET 2 OF 3 REV 17

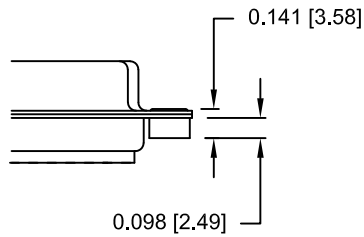
DWG NO. 172-YYY-18YLYY1

DESCRIPTION: CLINCH NUT HARDWARE

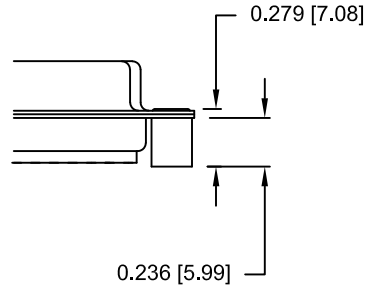
TOLERANCE:
ALL DIMENSIONS ARE ± 0.010

ALL CLINCH-NUTS ARE 4-40 INTERNAL THREADS

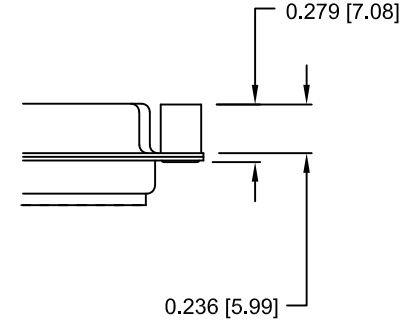
01X 0.065" (BOARD SIDE)



02X 0.236" (BOARD SIDE)



03X..... 0.236" (MATING SIDE)



DO NOT SCALE FROM DRAWING



THESE DRAWINGS AND SPECIFICATIONS ARE THE PROPERTY OF NorComp AND SHALL NOT BE REPRODUCED, COPIED OR USED AS THE BASIS FOR THE MANUFACTURE OF SALE OF APPARATUS WITHOUT WRITTEN PERMISSION.

DRAWN:
WAYNE ROBBINS

DATE:
08-23-98

NorComp

SCALE: NTS SHEET 3 OF 3 REV 17

DWG NO. 172-YYY-18YLYY1

RoHS COMPLIANT