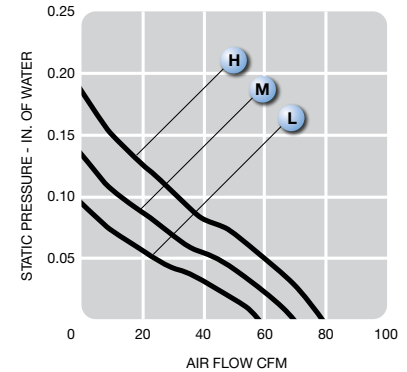
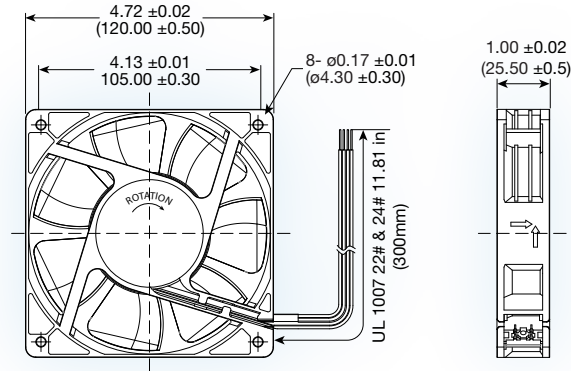




LPH12B99 series



(120 x 120 x 25 mm)

4.72 x 4.72 x 1.00 inches

Operating voltage: 85 to 265 VAC

Construction: plastic frame and impeller

Bearing option: ball bearing

Motor: electronically commutated

Air flow: exhaust over struts

Connection: lead wire UL1007 24AWG
or terminal

Protection/IP Level: auto restart / IP54

Options: tachometer, PWM,
environmental protection

Model No.	Rated Voltage V	Freq. HZ	Input Power W	Rated Cur. A	Speed RPM	Air Volume		Max. Static Pressure (H ₂ O)		Sound Noise dB(A)	Weight g
						M ³ /Min.	CFM	MM	INCH		
LPH12B99-L*	100-240	50/60	2.4	0.06	2200	1.6	58	2.5	0.10	37	147
LPH12B99-M*	100-240	50/60	3.8	0.08	2600	2.0	70	3.3	0.13	41	147
LPH12B99-H	100-240	50/60	6.0	0.10	3000	2.2	79	4.6	0.18	44	147

*This speed not UL recognized