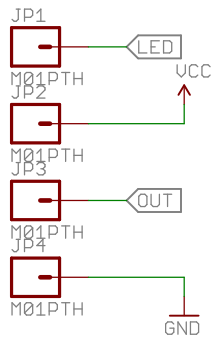
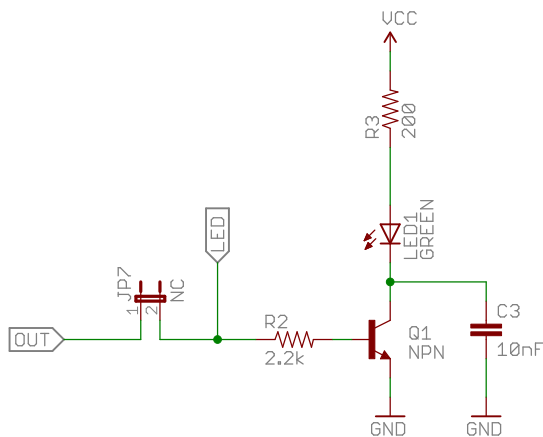


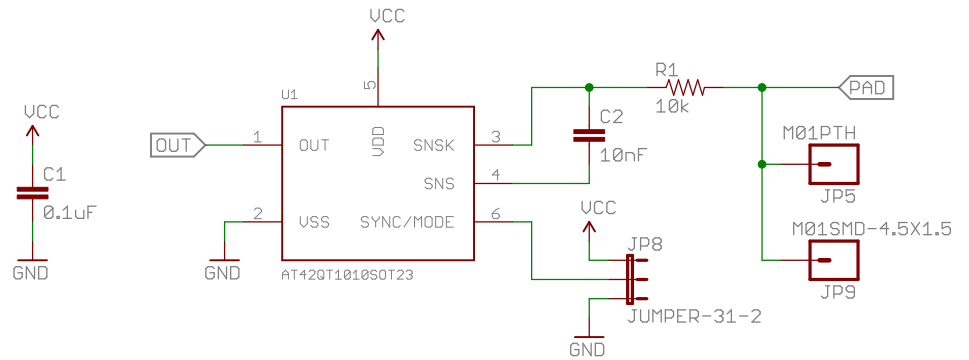
SMD Header



PTH Header



LED



Mode Select

F	Fast mode Fast response time (200 $\mu$ A - 750 $\mu$ A draw)
L	Low power mode Slower response time (15 $\mu$ A - 75 $\mu$ A draw)

Capacitive Touch

Released under the Creative Commons Attribution Share-Alike 3.0 License  
<http://creativecommons.org/licenses/by-sa/3.0>

TITLE: AT42QT1010\_Capacitive\_Touch\_Breakout

Design by: **Shawn Hymel** REV: **10**

Date: 12/23/2013 8:45:44 AM Sheet: 1/1

