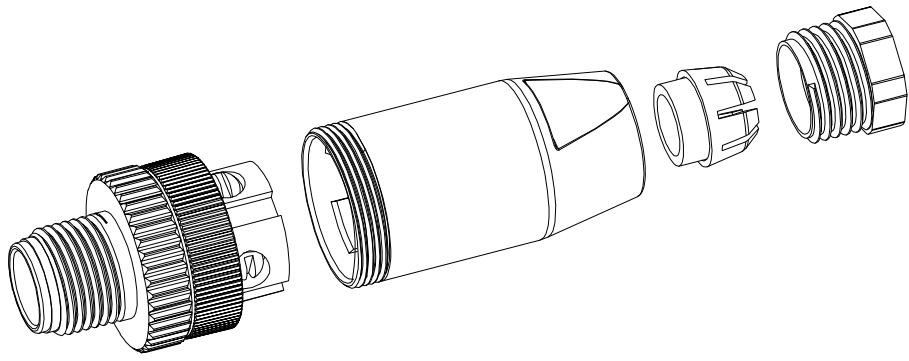
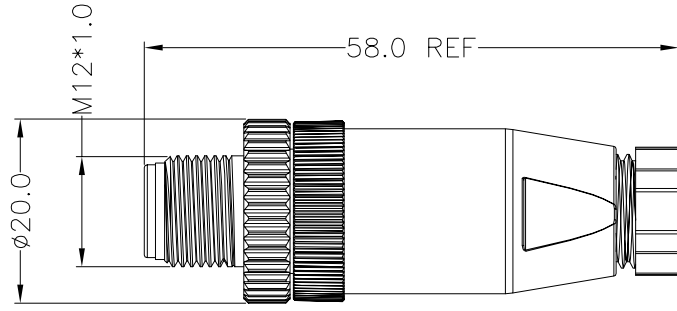


DESCRIPTION: M12 // FIELD INSTALLABLE // MALE // UNSHIELDED // 4-6mm CABLE OD



MALE

A04	A05	A08	D04	B05

NOTE:

MATERIAL	
M12 INSULATOR	PA66, UL94V-0, BLACK
CABLE NUT/GROMMET/SHELL	PA66, UL94V-0, BLACK
CONTACT	GOLD FLASH PLATED BRASS
MATING NUT	NICKEL PLATED BRASS
ELECTRICAL	
RATED CURRENT	2A(8P) / 4A(4/5P)
VOLTAGE	30V(8P) / 60V(5P) / 250V(4P)
INSULATOR RESISTANCE	100 MOhms MIN.
CONTACT RESISTANCE	10 mOhms MAX.
MATING CYCLES	100 CYCLES MIN
ENVIRONMENT	
OPERATION TEMPERATURE	-40°C TO +85°C
IP RATING	IP66
RECOMMENDED TORQUE	0.4Nm TO 0.8Nm

858FYYY-103RAU1

SERIES	858F = M12 FIELD INSTALLABLE
CONTACT ARRANGEMENT	A04 = 4P A-CODE A05 = 5P A-CODE A08 = 8P A-CODE D04 = 4P D-CODE B05 = 5P B-CODE
GENDER	1 = MALE
CABLE OD	A = 4mm-6mm OD
CONTACT PLATING	1 = GOLD FLASH

RoHS COMPLIANT



THESE DRAWINGS AND SPECIFICATIONS ARE THE PROPERTY OF NorComp AND SHALL NOT BE REPRODUCED, COPIED OR USED AS THE BASIS FOR THE MANUFACTURE OR SALE OF APPARATUS WITHOUT WRITTEN PERMISSION.

DRAWN: J. KADEL
DATE: 02/04/2022

UNITS = mm

DO NOT SCALE FROM DRAWING



SCALE: NTS	SHEET 1 OF 1	REV 1
DWG NO. 858FYYY-103RAU1		