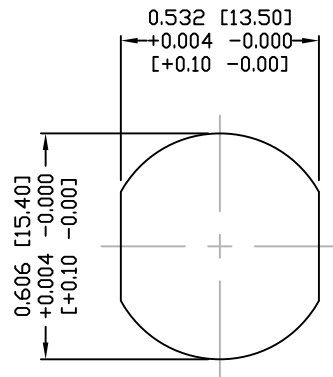


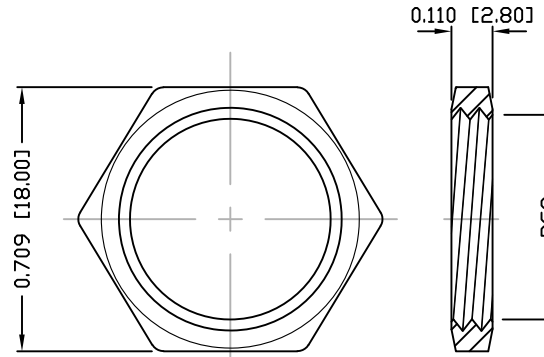
DESCRIPTION: M12 FEMALE - PANEL MOUNT (REAR) - 8 POS.

NOTE:

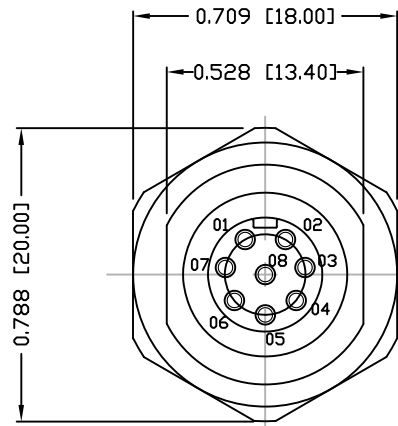
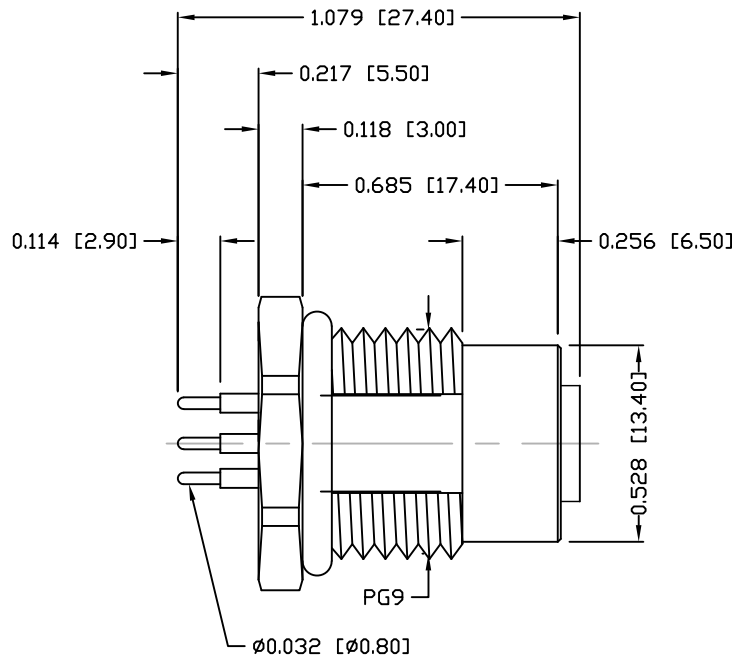
MATERIAL  
 HOUSING: PBT UL94V-0, BLACK  
 CONTACT: BRASS  
 NUT: BRASS  
 SHELL: BRASS  
 O-RING: EPDM, BLACK  
 FINISH  
 CONTACT: GOLD PLATED  
 NUT: OVER 50µ" NICKEL  
 SHELL: NICKEL PLATED  
 ELECTRICAL  
 RATED CURRENT: 2A  
 RATED VOLTAGE: 30V  
 INSULATION RESISTANCE: 100 MΩhms MIN.  
 CONTACT RESISTANCE: 10 mΩhms MAX.  
 WATER PROOF: IP67  
 ENVIRONMENT  
 OPERATION TEMPERATURE: -40°C TO +85°C



PANEL CUTOUT



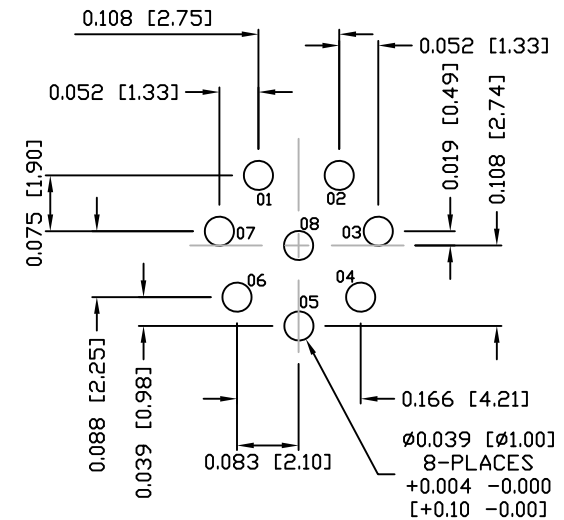
NUT



860-008-213R00Y

3 = BRASS/NICKEL SHELL & NUT  
 S = STAINLESS STEEL SHELL & NUT

1 = GOLD FLASH  
 4 = 10µ" GOLD



PCB LAYOUT

DO NOT SCALE FROM DRAWING

RoHS COMPLIANT

UNITS = INCHES [MM]



THESE DRAWINGS AND SPECIFICATIONS ARE THE PROPERTY OF NorComp AND SHALL NOT BE REPRODUCED, COPIED OR USED AS THE BASIS FOR THE MANUFACTURE OR SALE OF APPARATUS WITHOUT WRITTEN PERMISSION.

DRAWN:

M. SIGMON

DATE:

03-07-16

NorComp

SCALE: NTS

SHEET 1 OF 1

REV 3

DWG NO.

860-008-213R00Y