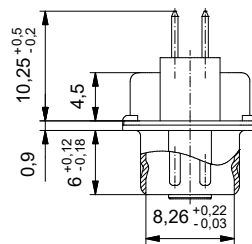
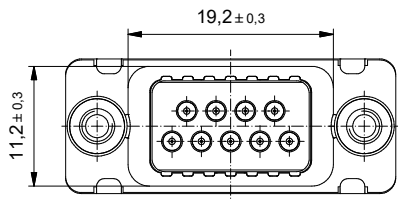
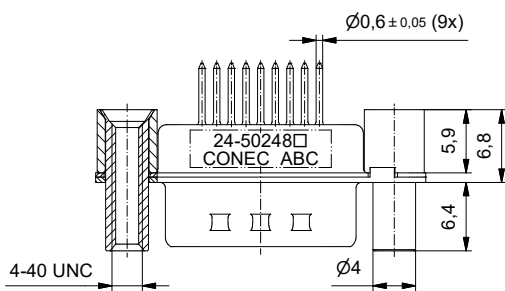
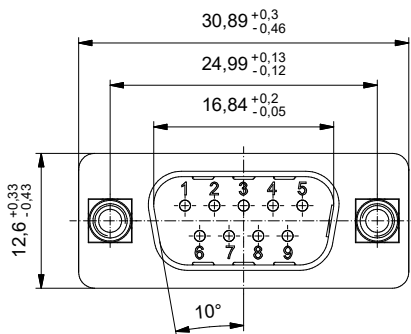
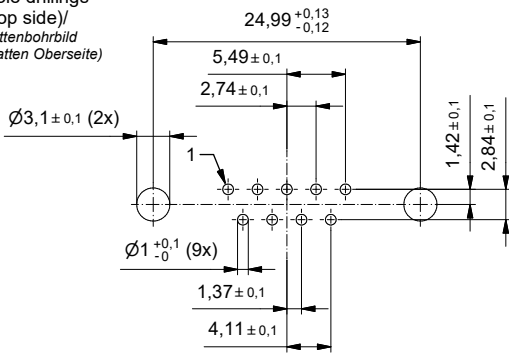


**Technical specification/  
Technische Daten:**

Working voltage/ Betriebsspannung:	100 VDC
Current rating/ Strombelastbarkeit:	5 A
Insulation resistance/ Isolationswiderstand:	≥ 1 GΩ
Dielectric withstanding voltage/ Spannungsfestigkeit (DWV):	424 VDC
Temperature working range/ Umgebungstemperatur:	- 25 °C ... + 105 °C
Capacitance value/ Kapazitätswert:	370 pF ± 20 %
Mating cycles/ Steckzyklen:	Quality class 1 = 500 Gütestufe 1 Quality class 2 = 200 Gütestufe 2 Quality class 3 = 50 Gütestufe 3

PCB hole drillings  
(PCB top side)  
Leiterplattenbohrbild  
(Leiterplatten Oberseite)



**Materials/  
Werkstoffe:**

Contact/ Kontakt:	Cu alloy, Au over Ni Contact tails pretinned/ Kontaktspitzen verzinkt
Insulator/ Isolierkörper:	High temp. PA UL94 V-0
Shell/ Gehäuse:	Steel, Sn over Ni
Threaded rear spacer and front threaded lock/ Gewindebolzen und Gewinde-Abstandsbolzen:	Cu alloy, Sn over Ni
Sleeve/ Hülse:	Cu alloy, Sn over Ni

**Installation specification/  
Montagedaten:**

Solder parameter/ Lötparameter:	
Solder preheat temperature/ Vorheiztemperatur:	100 °C for 30 sec./ 100 °C für 30 sek.
Solder bath temperature/ Lötbadtemperatur:	260 °C for 5 sec./ 260 °C für 5 sek.
Recommended torque value for thread/ Empfohlenes Drehmoment für Gewinde:	max. 6 in.LB/ max. 67 Ncm

Part no. / Part marked/ Art.-Nr. / Bedruckung:	Quality class/ Gütestufe:	Contact plating/ Kontakt Veredelung:
24-502483	3	Gold flash over nickel Gold über Nickel
24-502482	2	20 µin hard gold over min. 50 µin nickel 20 µin Gold über min. 50 µin Nickel
24-502481	1	30 µin hard gold over min. 50 µin nickel 30 µin Gold über min. 50 µin Nickel

**PRELIMINARY**

CUSTOMER APPROVAL DATE:

NAME:

COMPANY NAME:

APPROVAL # FREIGABE # DEBLOCKAGE # AUTORIZACION

Index: a Original	Scale/ Maßstab: 2:1	dim. in mm	D-SUB C-Filter Male 9pos. with threaded rear spacer and front threaded lock D-SUB C-Filter Stiftleiste 9pol. mit Gewindebolzen und Gewinde-Abstandshalter	dwg no / Z.-nr.: 24K1A2003	DIN-A3
RoHS compliant/ konform			Customer specific product		1 / 1

This reproduction, distribution and utilization of this document as well as the communication of its contents to others without express authorization is prohibited. Offenders will be held liable for the payment of damages. For further information on our legal notices please refer to our homepage: www.conec.com. Copyright © 2021 Conec Technology AG. All rights reserved. Conec Technology AG, Schwanenbühlstrasse 10, 8002 Zürich, Switzerland. Conec Technology AG, Schwanenbühlstrasse 10, 8002 Zürich, Switzerland.