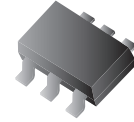


CPDT6-24V4-HF

RoHS Device
Halogen Free

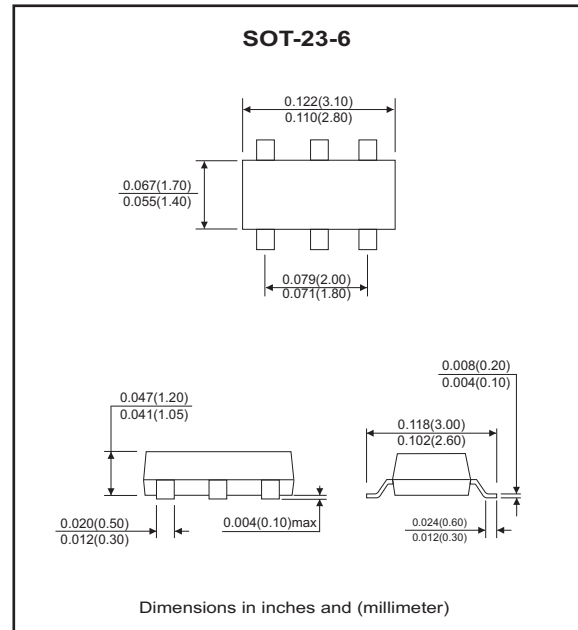


Features

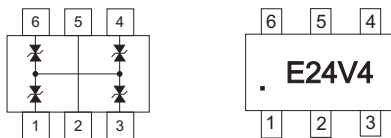
- Common anode ESD protection.
- IEC61000-4-2 Level 4 ESD protection.
- Low operating voltage: < 24V.
- Fast turn-on and low clamping voltage

Mechanical data

- Case: SOT-23-6 Standard package, molded plastic.
- Marking code: E24V4
- Mounting position: Any.
- Weight: 0.015 grams(approx.).



Marking: E24V4



Maximum Rating (at TA=25°C unless otherwise noted)

Parameter	Conditions	Symbol	Value	Unit
Peak pulse power	T _P = 8/20us	P _{PP}	47	W
Peak pulse current	T _P = 8/20us	I _{PP}	1	A
ESD capability	IEC 61000-4-2(air) IEC 61000-4-2(contact)	ESD	±15 ±8	kV
Operation temperature range		T _J	125	°C
Storage temperature range		T _{STG}	-55~+150	°C

Electrical Characteristics (at TA=25°C unless otherwise noted)

Parameter	Conditions	Symbol	Min	Typ	Max	Unit
Working peak reverse voltage		V _{RWM}			24	V
Breakdown voltage	I _T = 1mA	V _{BR}	25	28		V
Reverse leakage current	V _{RWM} = 24V	I _R		0.1	2.0	uA
Clamping voltage	I _{PP} = 1A, T _P = 8/20us	V _C			47	V
Junction capacitance	V _R = 0V, f = 1MHz	C _J		10		pF

RATING AND CHARACTERISTIC CURVES (CPDT6-24V4-HF)

Fig.1 - 8/20us Peak Pulse Current Waveform Acc. IEC 61000-4-5

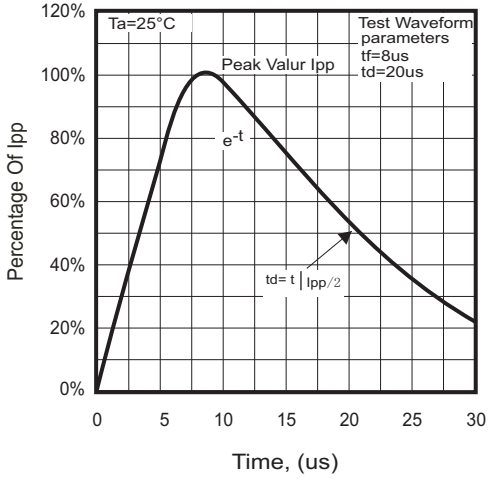


Fig. 2 - Capacitance Between Terminals Characteristics

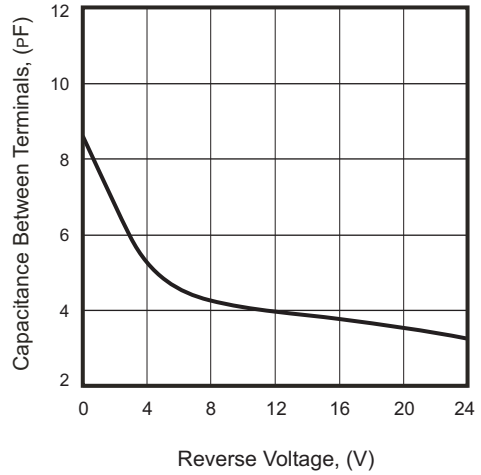


Fig.3 - Clamping Voltage Vs. Peak Pulse Current

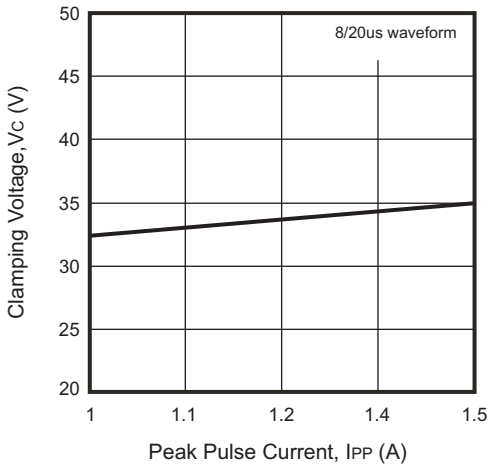
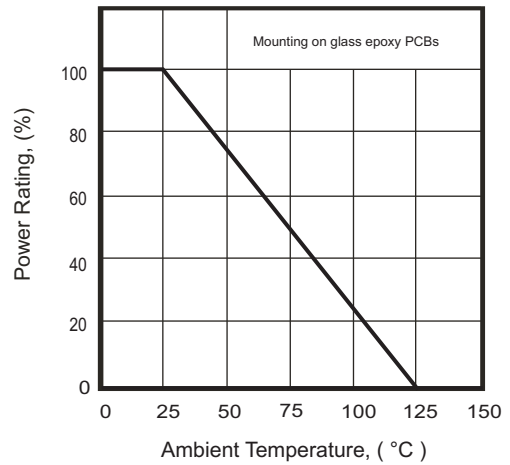
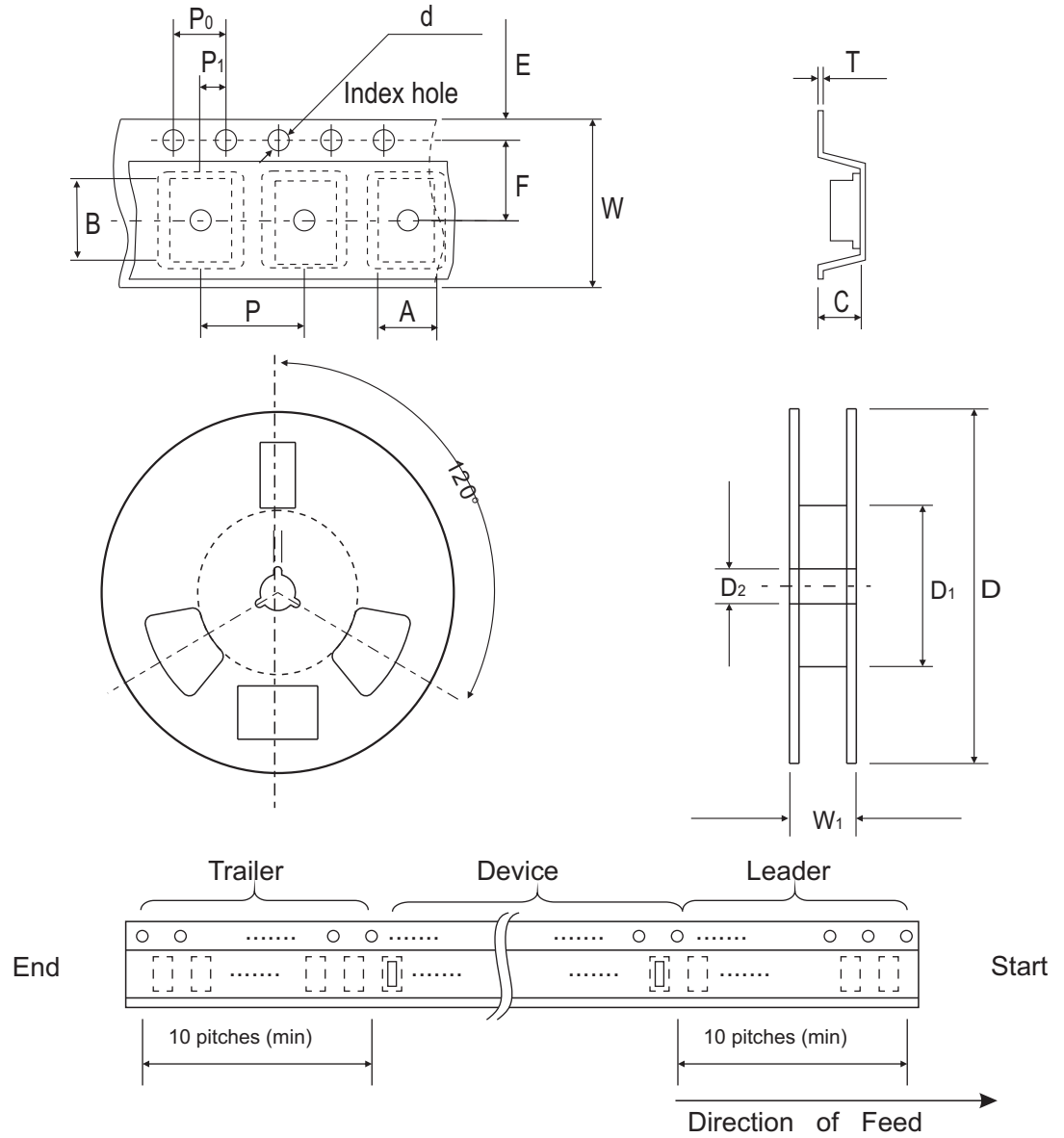


Fig. 4 - Power Rating Derating Curve



Reel Taping Specification

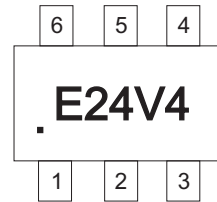


SOT-23-6	SYMBOL	A	B	C	d	D	D1	D2
	(mm)	3.15 ± 0.10	3.15 ± 0.10	1.30 ± 0.10	1.55 ± 0.05	178 ± 1	60.0 ± 0.50	13.0 ± 0.20
	(inch)	0.124 ± 0.004	0.124 ± 0.004	0.051 ± 0.004	0.061 ± 0.002	7.008 ± 0.040	2.362 ± 0.020	0.512 ± 0.008

SOT-23-6	SYMBOL	E	F	P	P0	P1	W	W1
	(mm)	1.75 ± 0.10	3.50 ± 0.05	4.00 ± 0.10	4.00 ± 0.10	2.00 ± 0.05	8.00 ± 0.20	12.0 ± 0.50
	(inch)	0.069 ± 0.004	0.138 ± 0.002	0.157 ± 0.004	0.157 ± 0.004	0.079 ± 0.002	0.315 ± 0.008	0.472 ± 0.020

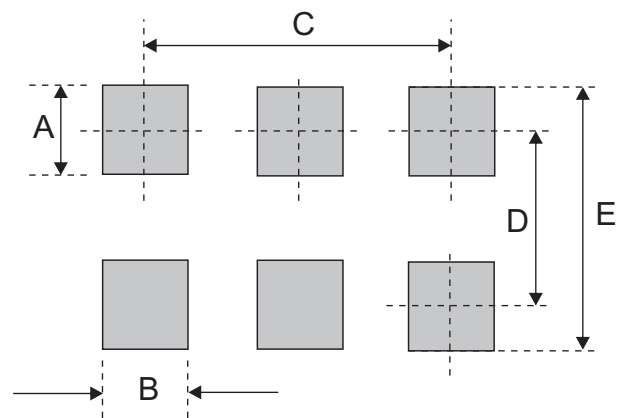
Marking Code

Part Number	Marking Code
CPDT6-24V4-HF	E24V4



Suggested PAD Layout

SIZE	SOT-23-6	
	(mm)	(inch)
A	1.10	0.043
B	0.60	0.024
C	1.90	0.075
D	2.50	0.098
E	3.60	0.142



Standard Packaging

Case Type	Qty per Reel	Reel Size
	(Pcs)	(inch)
SOT-23-6	3,000	7