



**Electrical specifications**

**Center Frequency:** 14345MHz  
**Ins. Loss @ Center Frequency:** <=2.4dB  
**Passband:** 12690-16000MHz  
**Passband Variation:** <=1.2dB  
**VSWR Over Passband:** </=1.6:1  
**Rejection:** >/=60dB@8000MHz  
**Rejection 2:** >/=60dB@19030MHz  
**Rejection 3:** >/=45dB@25000MHz  
**Impedance:** 50Ω

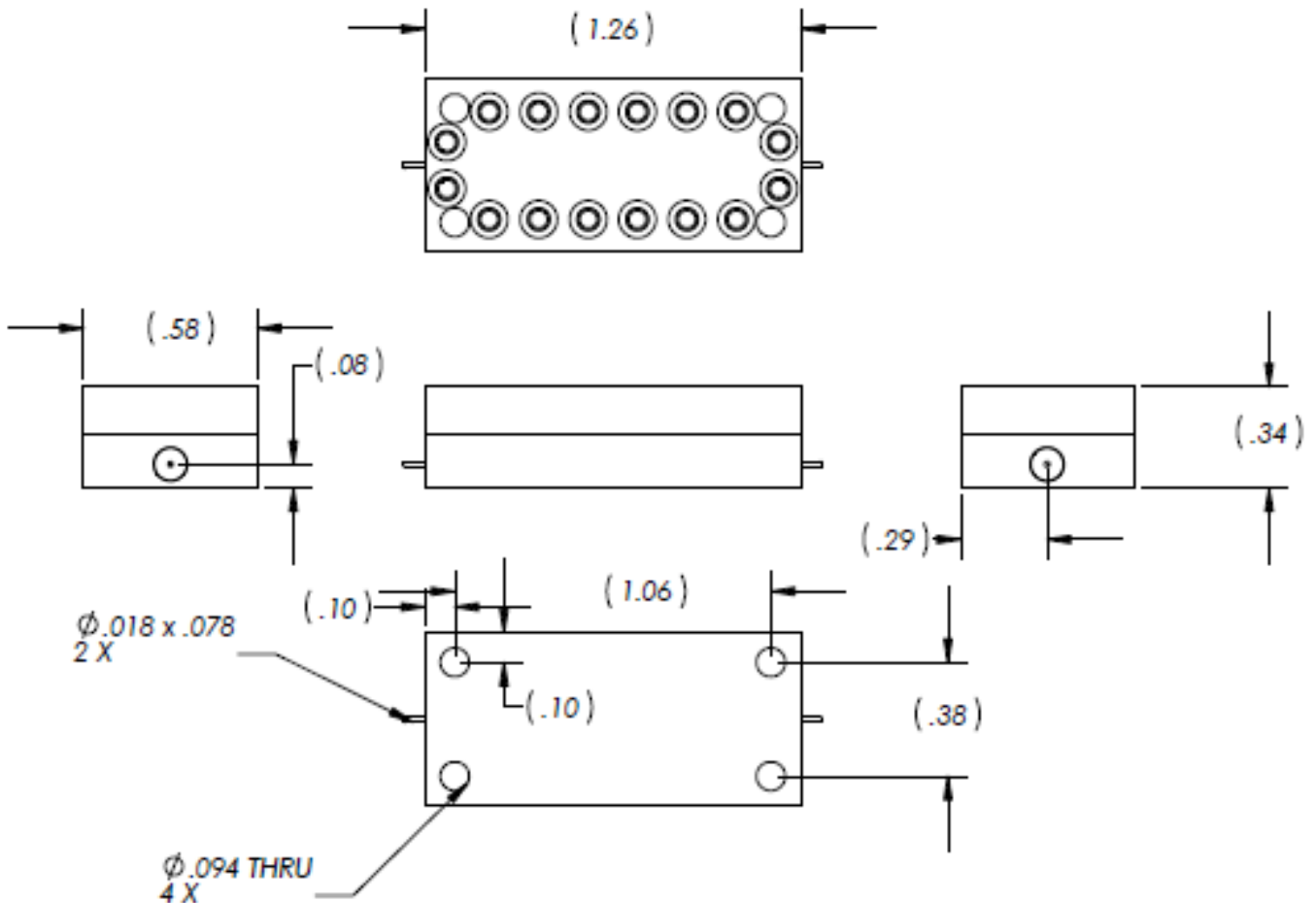
**Mechanical**

**Mounting Method:** Drop-in  
**Dimensions:** 1.26" x 0.34" x 0.58"

**Environmental**

**Operating Temperature:** -45°C to +85°C  
**Storage Temperature:** -55°C to +100°C

**Outline Drawing:**





# 14345MHz Bandpass Filter

Part Number: AE14345B11070



Plot:

