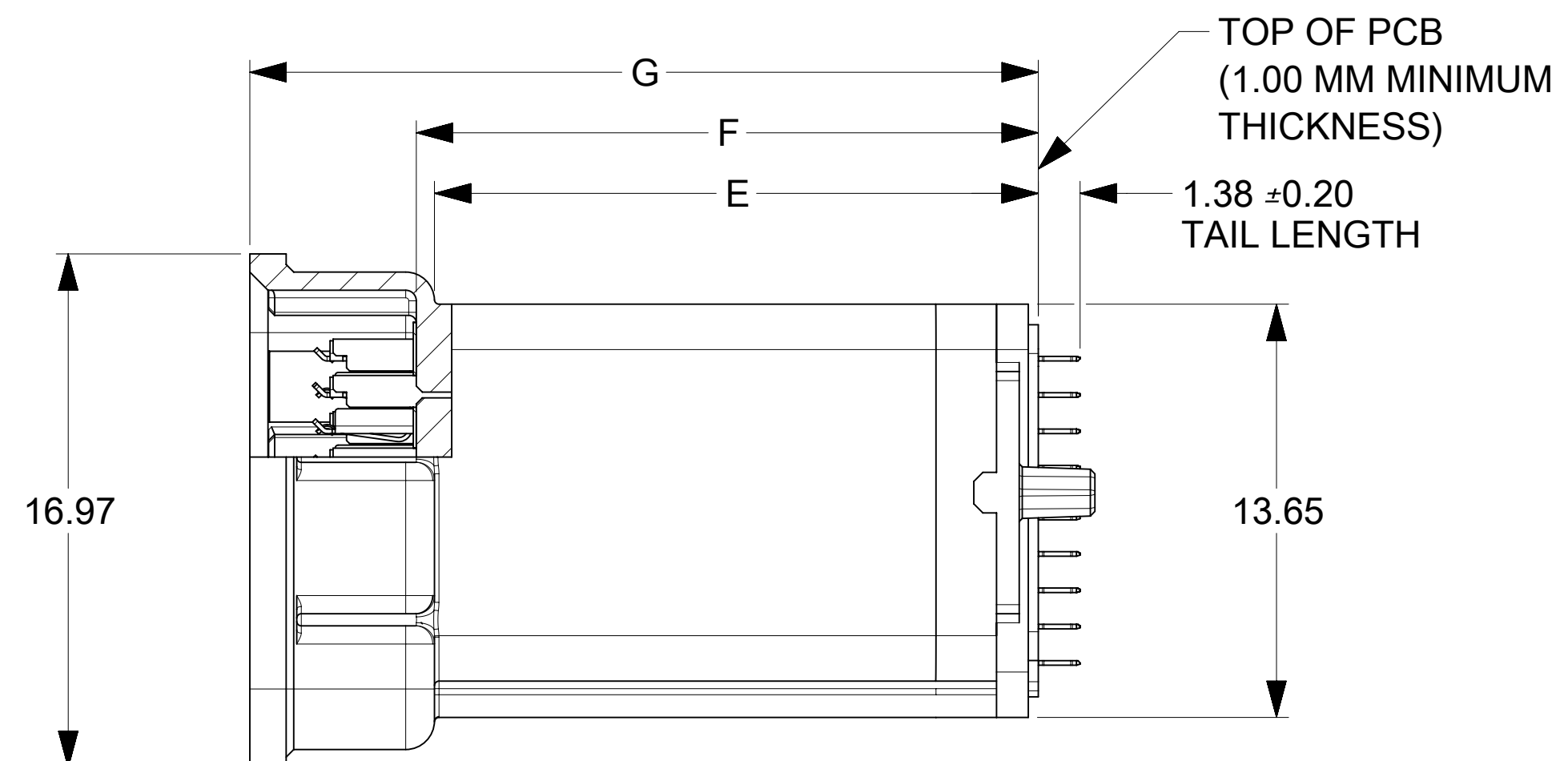
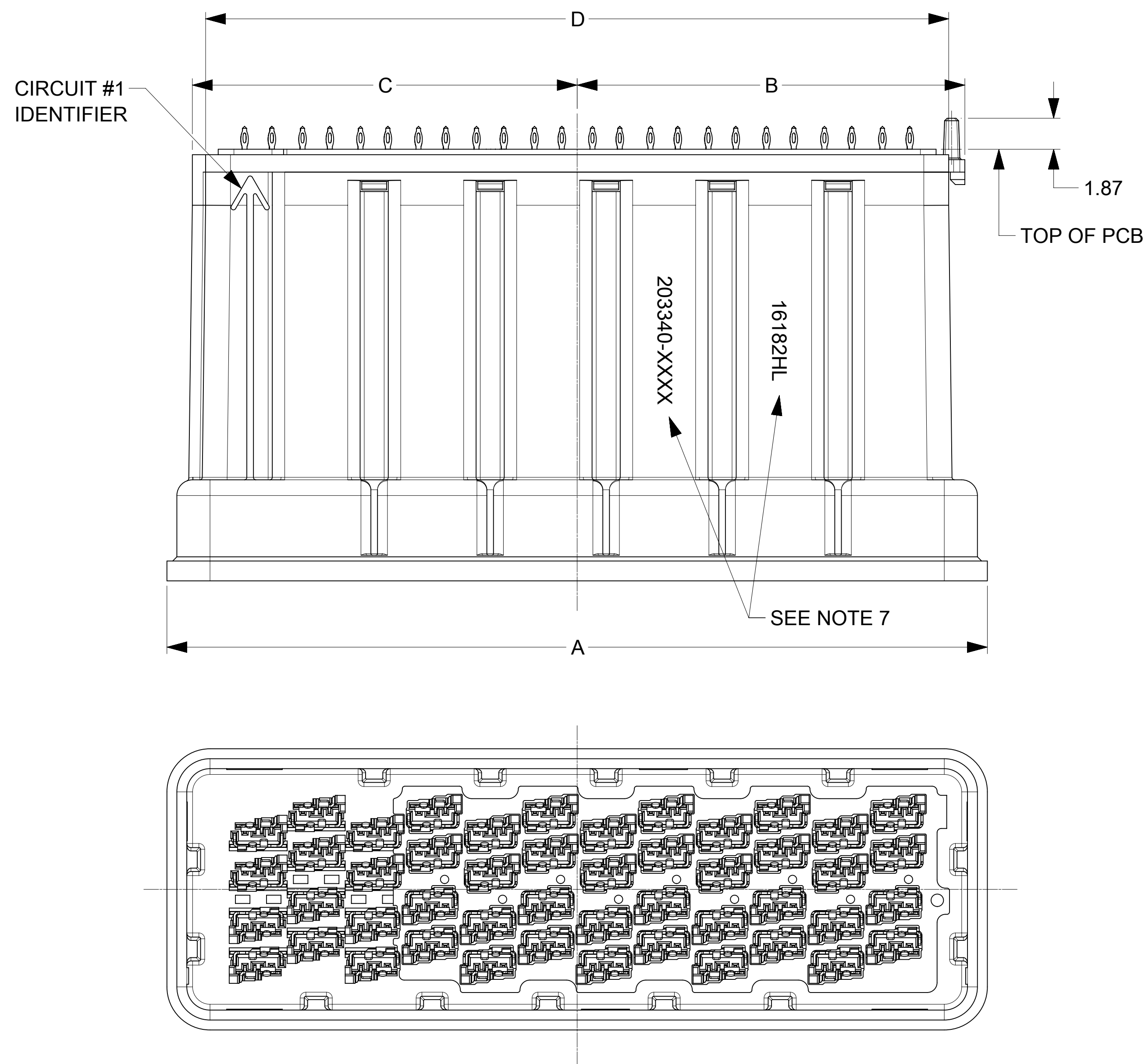


# 203340-0002 RECEPTACLE ASSEMBLY SHOWN

**NOTES:**

1. HOUSING MATERIAL: LCP, GLASS FILLED, UL 94V-0, BLACK  
CONTACT MATERIAL: HIGH PERFORMANCE COPPER ALLOY
2. FINISH:  
CONTACTS: SELECTIVE GOLD: 30 MICRO INCHES MINIMUM ON CONTACT AREA  
SELECTIVE TIN: ON COMPLIANT PIN OVER 50 MICRO INCHES MINIMUM NICKEL OVERALL
3. PRODUCT SPECIFICATION: 2033400001-PS
4. PACKAGING SPECIFICATION: 2033409000-PK
5. APPLICATION SPECIFICATION: AS-172801-0001
6. THIS PART CONFORMS TO CLASS B REQUIREMENTS OF MOLEX COSMETIC SPECIFICATION PS-45499-002.
7. PARTS ARE TO BE MARKED WITH THE PART NUMBER AND DATE CODE. FORMAT IS 2 DIGIT YEAR, 3 DIGIT DAY, 1 DIGIT HOUR (IF NEEDED), AND 1 DIGIT ASSEMBLY LINE (IF NEEDED) BY MARKING THE HOUSING AS SHOWN.



MATERIAL NUMBER	HEIGHT	NO. OF COLUMNS	DIM A	DIM B	DIM C	DIM D	DIM E	DIM F	DIM G	LOCATING PEG	TOOLED	MATES TO
2033400002	22.5	12	49.52	23.40	23.23	44.85	19.95	20.55	26.05	YES	YES	2033410002

SYMBOLS	THIS DRAWING CONTAINS INFORMATION THAT IS PROPRIETARY TO MOLEX ELECTRONIC TECHNOLOGIES, LLC AND SHOULD NOT BE USED WITHOUT WRITTEN PERMISSION		
	DIMENSION UNITS	SCALE	CURRENT REV DESC: INITIAL RELEASE
▽ = 0	mm	5:1	
▽ = 0	GENERAL TOLERANCES (UNLESS SPECIFIED)		
▽ = 0	ANGULAR TOL	± °	
▽ = 0	4 PLACES	±	EC NO: 174727
▽ = 0	3 PLACES	±	DRWN: TPREMO 2018/04/06
▽ = 0	2 PLACES	± 0.15	CHK'D: KLANG 2018/04/09
▽ = 0	1 PLACE	±	APPR: KLANG 2018/04/09
▽ = 0	0 PLACES	±	INITIAL REVISION:
☒ = 0	DRAFT WHERE APPLICABLE MUST REMAIN WITHIN DIMENSIONS		DRWN: TPREMO 2018/04/06
☒ = 0	THIRD ANGLE PROJECTION	DRAWING SERIES	APPR: KLANG 2018/04/09
		D-SIZE	203340

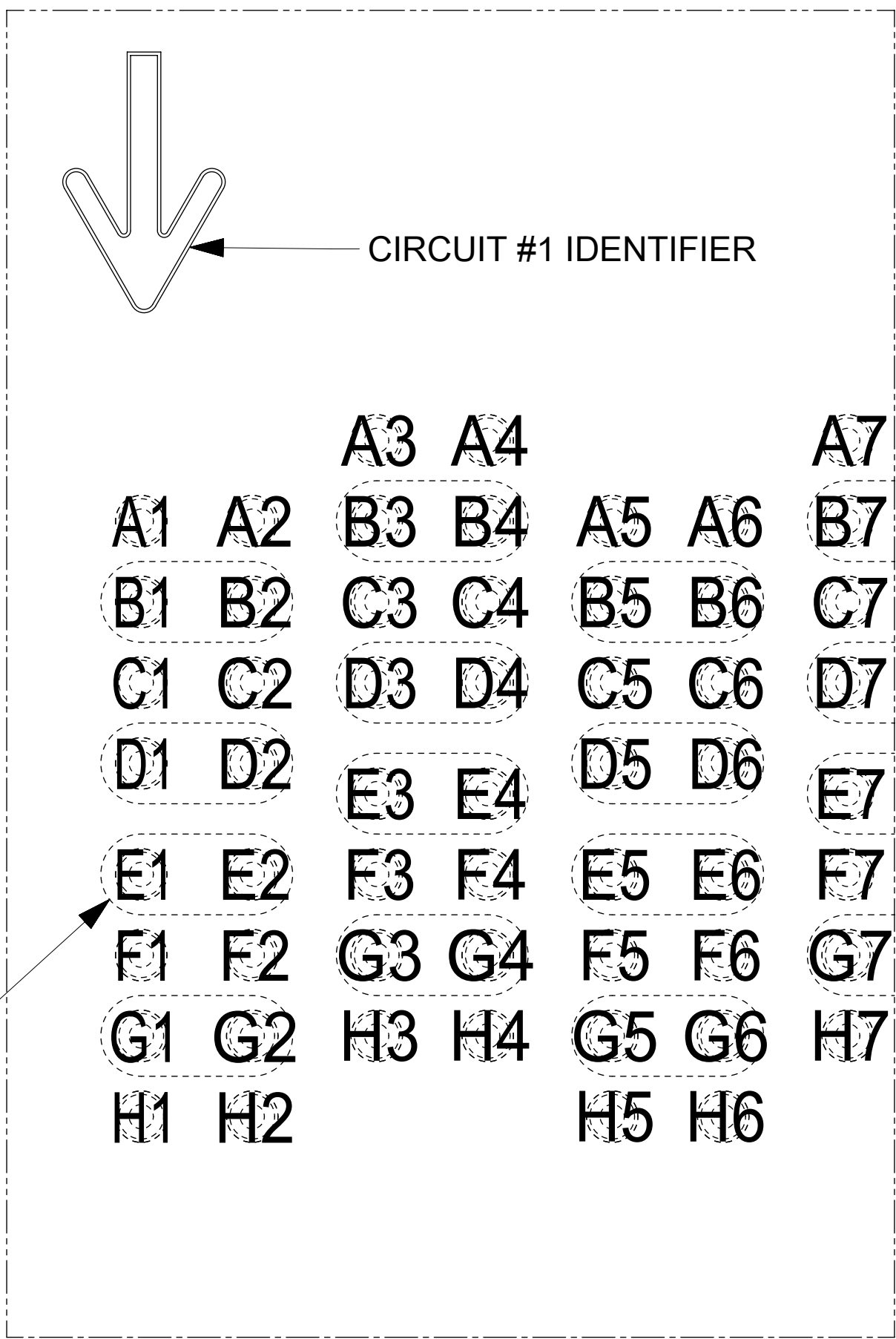
molex

NEOPRESS 4 ROW RECEPTACLE ASSY, 85 OHM

PRODUCT CUSTOMER DRAWING

DOCUMENT NUMBER	DOC TYPE	DOC PART	REVISION
2033400008	PSD	000	A

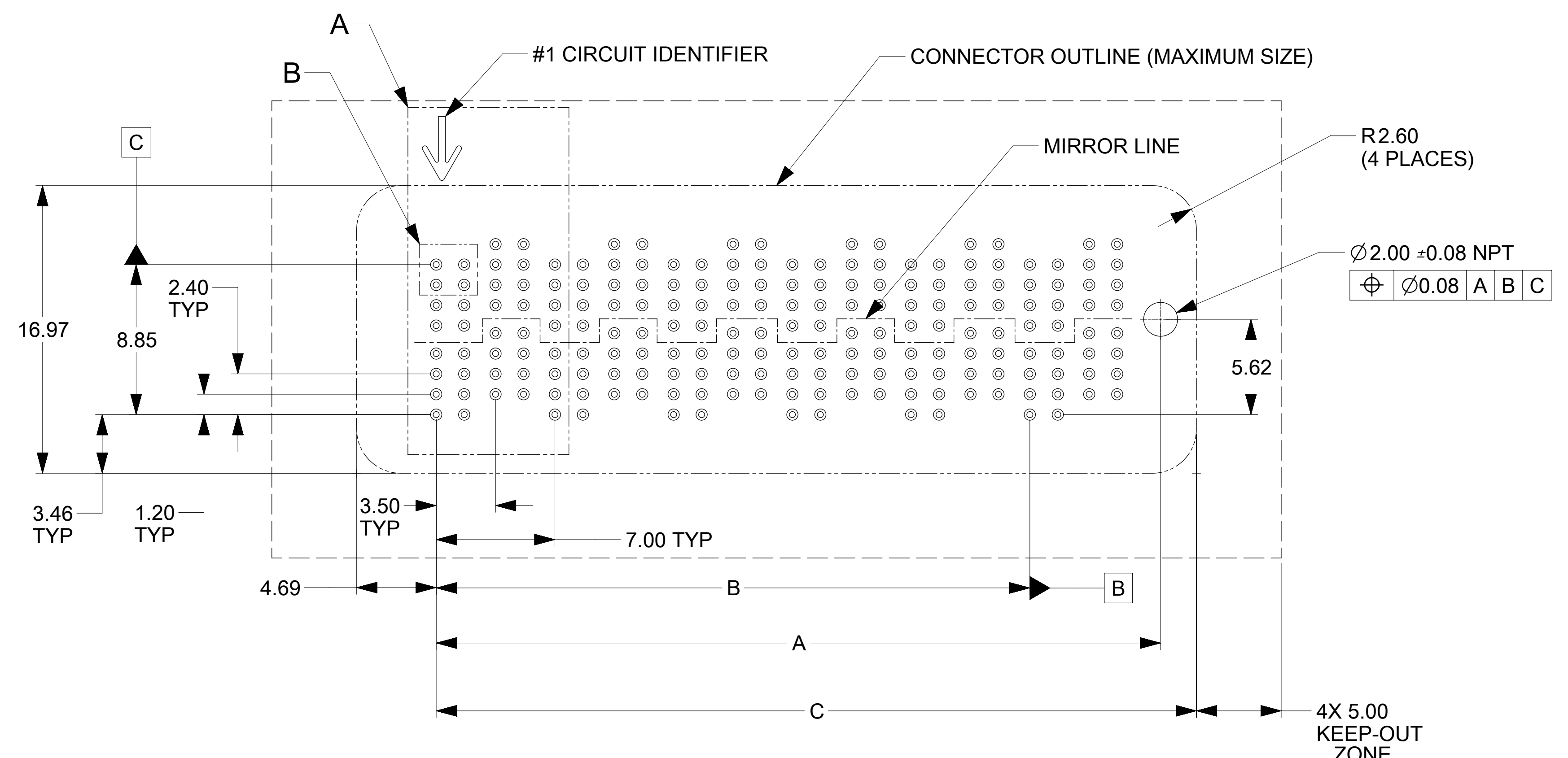
MATERIAL NUMBER	CUSTOMER	SHEET NUMBER
SEE TABLE	GENERAL MARKET	1 OF 2



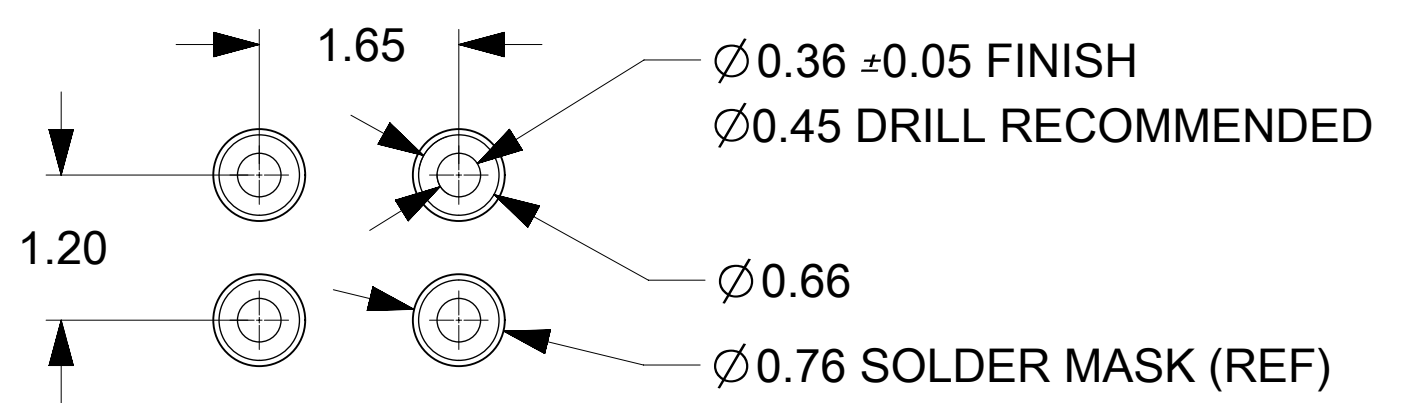
		A3	A4			A7
A1	A2	B3	B4	A5	A6	B7
B1	B2	C3	C4	B5	B6	C7
C1	C2	D3	D4	C5	C6	D7
D1	D2	E3	E4	D5	D6	E7
E1	E2	F3	F4	E5	E6	F7
F1	F2	G3	G4	F5	F6	G7
G1	G2	H3	H4	G5	G6	H7
H1	H2			H5	H6	

DETAIL A  
SCALE 12:1  
NUMBERING SCHEME

CIRCLED VIAS ARE CONNECTED TO THE SAME SHIELD TERMINAL. ALSO, ALL SHIELD VIAS ARE ELECTRICALLY INTERCONNECTED INSIDE THE CONNECTOR. (SEE TABLE FOR EXCEPTIONS FOR POWER TERMINALS\*. THE LOW SPEED TRIADS SHIELD TERMINALS MUST BE USED FOR GROUNDS ONLY AND MAY BE CONNECTED TO OTHER SHIELDS IN THIS CONNECTOR EXCEPT THE ELECTRICALLY ISOLATED SHIELDS).



FOOT PRINT SHOWN 4X12  
FOOT PRINT NOTES:  
1. DATUM -A- IS THE TOP OF THE PCB  
2. ALL DIMENSIONS ARE BASIC



DETAIL B  
SCALE 16:1

MATERIAL NUMBER	NO. OF COLUMNS	DIM A	DIM B	DIM C	ELECTRICALLY ISOLATED SHIELDS *	LOW SPEED TRIADS *
2033400002	12	42.68	35.00	44.82	COLUMN 1: B1,B2,D1,D2,E1,E2,G1,G2 COLUMN2: B3,B4,D3,D4,E3,E4, G3,G4	COLUMN 3: B5,B6,D5,D6,E5,E6,G5,G6

SYMBOLS	THIS DRAWING CONTAINS INFORMATION THAT IS PROPRIETARY TO MOLEX ELECTRONIC TECHNOLOGIES, LLC AND SHOULD NOT BE USED WITHOUT WRITTEN PERMISSION		CURRENT REV DESC: INITIAL RELEASE		<b>molex</b>
	DIMENSION UNITS	SCALE	EC NO: 174727		
▽ = 0	mm	1:1	DRWN: TPREMO 2018/04/06		NEOPRESS 4 ROW RECEPTACLE ASSY, 85 OHM
▽ = 0	GENERAL TOLERANCES (UNLESS SPECIFIED)		CHK'D: KLANG 2018/04/09		
▽ = 0	ANGULAR TOL ± °		APPR: KLANG 2018/04/09		PRODUCT CUSTOMER DRAWING
▽ = 0	4 PLACES ±		INITIAL REVISION:		
▽ = 0	3 PLACES ±		DRWN: TPREMO 2018/04/06		DOCUMENT NUMBER
▽ = 0	2 PLACES ± 0.15		APPR: KLANG 2018/04/09		
▽ = 0	1 PLACE ±		DRWN: TPREMO 2018/04/06		2033400008
▽ = 0	0 PLACES ±		APPR: KLANG 2018/04/09		
☒ = 0	DRAFT WHERE APPLICABLE MUST REMAIN WITHIN DIMENSIONS		THIRD ANGLE PROJECTION	DRAWING	SERIES
■ = 0			☉	D-SIZE	203340
▽ = 0				MATERIAL NUMBER	CUSTOMER
				SEE TABLE	GENERAL MARKET
					SHEET NUMBER
					2 OF 2