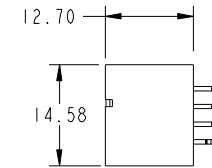
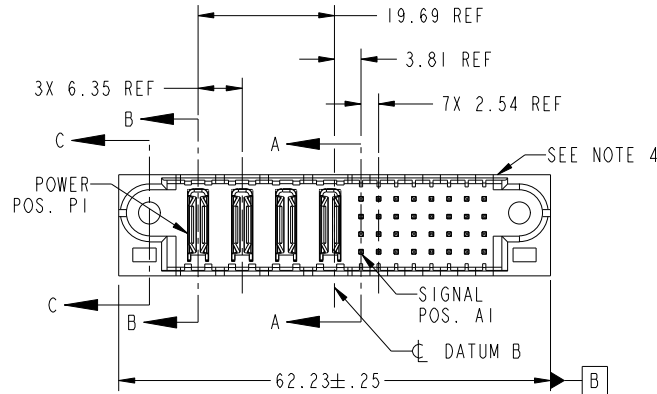
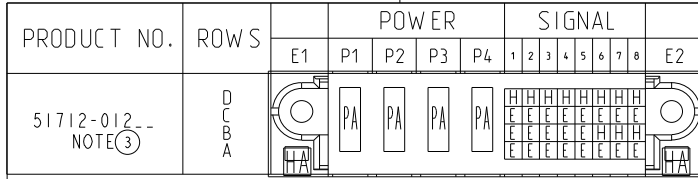


Tous droits strictement reserves. Reproduction ou communication a des tiers interdite sous quelque forme que ce soit sans autorisation écrite du propriétaire. Propriete de c FCI. Droits de reproduction FCI.



All rights strictly reserved. Reproduction or issue to third parties in any form whatever is not permitted without written authority from the proprietor. Property of FCI. Copyright FCI.



CODE	DIM "M" MATING LENGTH	CONTACT TYPE
PA	[N/A]	POWER
E	[6.86]	SIGNAL
HA	[N/A]	HOLD-DOWN
H	[5.59]	SIGNAL

mat'l code				tolerances unless otherwise specified		CUSTOMER	 www.fciconnect.com	
ltr	ecn no.	dr	date	linear	0.X ± 0.3	COPY	title	
A	DG06-0465	JMG	11/07/06	angles	0.XX ± 0.13	projection	4p+32s Vertical Solder Header	
				dr	0.XXX ± 0.051	 MIM	product family	PwrBlade
				enr	0° ± 2°		size	code
				chr	JM GUO 11/07/06	scale	dwg no	213
				appd	RYAN YUAN 11/07/06		A	51712-012
					BEER FU 11/07/06	1:1		1 of 4
					JOSEPH HSIA 11/07/06			
sheet index	revision sheet	A 1	A 2	A 3	A 4			

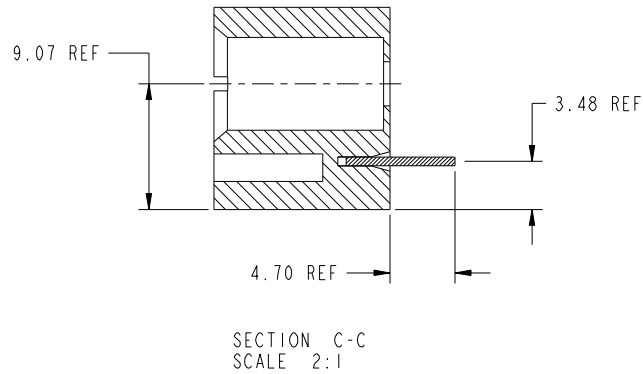
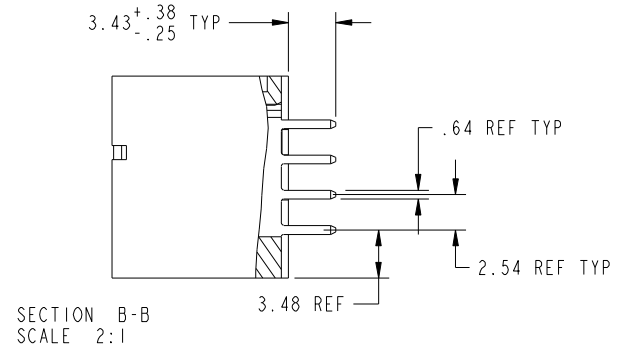
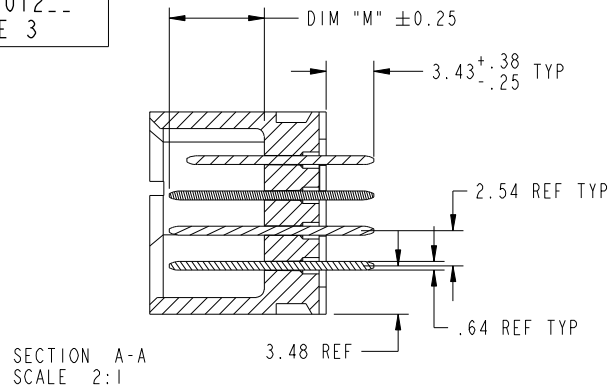
cage code 22526

Tous droits strictement reserves. Reproduction ou communication a des tiers interdite sous quelque forme que ce soit sans autorisation ecrite du proprietaire. Propriete de c FCI. Droits de reproduction FCI.



All rights strictly reserved. Reproduction or issue to third parties in any form whatever is not permitted without written authority from the proprietor. Property of FCI. Copyright FCI.

PRODUCT NUMBER
51712-012--
NOTE 3



mat'l code				tolerances unless otherwise specified		CUSTOMER		 www.fciconnect.com	
ltr	ecn no.	dr	date	linear	0.X ±0.3	COPY		title	
A					0.XX ±0.13	projection		4p+32s Vertical Solder Header	
				angles	0.XXX ±0.051			product family	
				dr	0° ±2°			PwrBlade	
				enr	JM GUO 11/07/06	scale		code	
				chr	RYAN YUAN 11/07/06	1:1		213	
				appd	BEER FU 11/07/06	A		sheet	
					JOSEPH HSIA 11/07/06			2 of 4	
sheet index		revision sheet							

cage code 22526

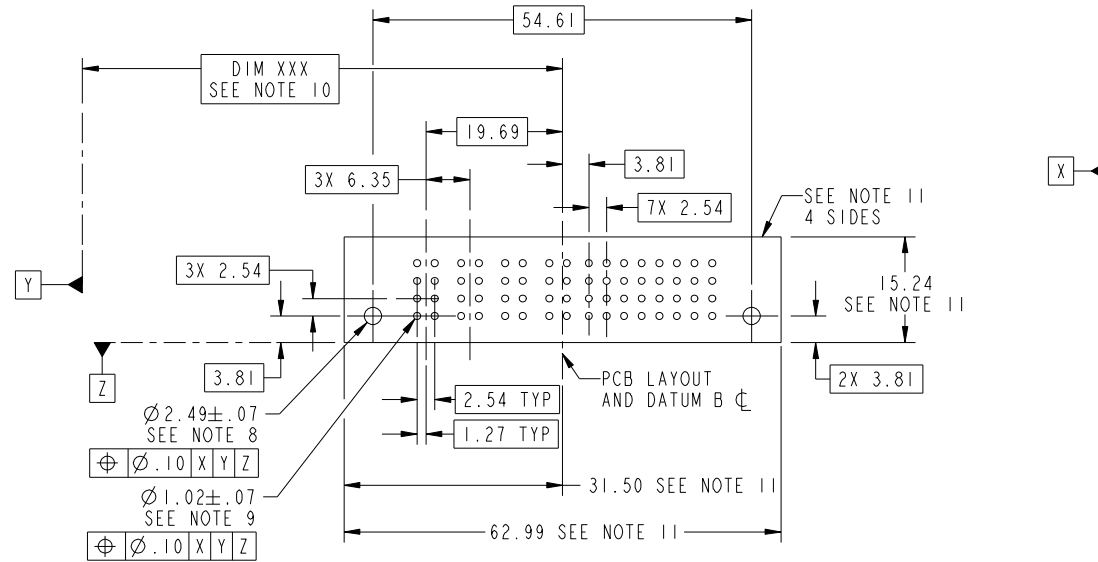
Pro/E

Tous droits strictement reserves. Reproduction ou communication a des tiers interdite sous quelque forme que ce soit sans autorisation écrite du propriétaire. Propriete de c FCI. Droits de reproduction FCI.



All rights strictly reserved. Reproduction or issue to third parties in any form whatever is not permitted without written authority from the proprietor. Property of FCI. Copyright FCI.

PRODUCT NUMBER
51712-012--
NOTE 3



mat'l code				tolerances unless otherwise specified		CUSTOMER		FCI	
ltr	ecn no.	dr	date	linear	0.X ±0.3	COPY		www.fciconnect.com	
A					0.XX ±0.13	projection		title	
				angles	0.XXX ±0.051			4p+32s Vertical Solder Header	
				dr	0° ±2°	MIM		product family	PwrBlade
				enr	JM GUO 11/07/06	scale		size	code
				chr	RYAN YUAN 11/07/06	1:1		dwg no	213
				appd	BEER FU 11/07/06			A	51712-012
					JOSEPH HSIA 11/07/06				
sheet index		revision sheet							

cage code 22526

Pro/E

Tous droits strictement reserves. Reproduction ou communication a des tiers interdite sous quelque forme que ce soit sans autorisation écrite du propriétaire. Propriete de c FCI. Droits de reproduction FCI.



All rights strictly reserved. Reproduction or issue to third parties in any form whatever is not permitted without written authority from the proprietor. Property of FCI. Copyright FCI.

PRODUCT NUMBER
51712-012--
NOTE 3

NOTES:

1. DIMENSIONS AND TOLERANCES ARE IN ACCORDANCE WITH ASME Y14.5M, 1994 UNLESS OTHERWISE SPECIFIED.

CONNECTOR NOTES:

- 2 HOUSING MATERIAL: UL 94 V-0 GLASS FILLED
HIGH-TEMP THERMOPLASTIC
POWER CONTACT MATERIAL: COPPER ALLOY
SIGNAL PIN MATERIAL: COPPER ALLOY
 - 3. PLATING:
51712-012 ,51712-012LF PLATING SPEC. WAS SHOWN IN THE PRINT OF 10064183.
 - 4 MANUFACTURER'S NAME, P/N, AND DATE CODE TO APPEAR ON THIS SURFACE.
 - 5. PRODUCT SPECIFICATION GS-12-149.
APPLICATION SPECIFICATION BUS-20-067.
 - 6. PACKAGED IN TRAYS.
- PCB NOTES:
- 7. ALL HOLE DIAMETERS ARE FINISHED HOLE SIZE.
 - 8. MOUNTING HOLES, WHERE APPLICABLE, ARE UNPLATED.
 - 9 $\varnothing 1.151 \pm 0.025$ DRILLED HOLES PLATED WITH
0.008 MIN SnPb OR Sn OVER 0.03
TO 0.08 Cu PLATING TO ACHIEVE
 $\varnothing 1.02 \pm 0.07$ HOLE.
 - 10 "DIM XXX" TO BE DETERMINED BY THE CUSTOMER.
 - 11 CONNECTOR KEEP-OUT ZONE.

mat'l code				tolerances unless otherwise specified		CUSTOMER		FCI	
ltr	ecn no.	dr	date	linear	0.X ± 0.3	COPY		www.fciconnect.com	
A				projection	0.XX ± 0.13	title		4p+32s	
				angles	0.XXX ± 0.051	Vertical Solder Header			
				dr	0° ± 2°	product family		PwrBlade	code
				enr	JM GUO 11/07/06	size		213	
				chr	RYAN YUAN 11/07/06	dwg no		51712-012	sheet
				appd	BEER FU 11/07/06	scale		4 of 4	
					JOSEPH HSIA 11/07/06	A			
sheet index	revision sheet					1:1			

cage code 22526

Pro/E