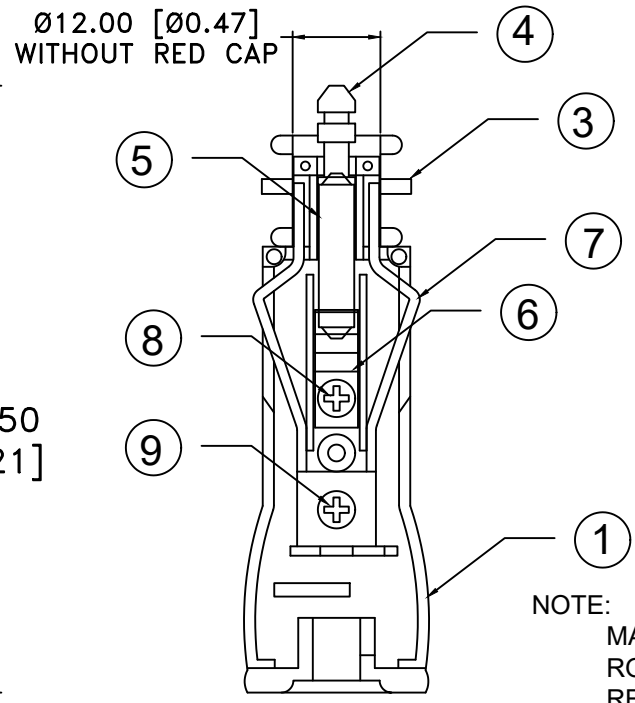
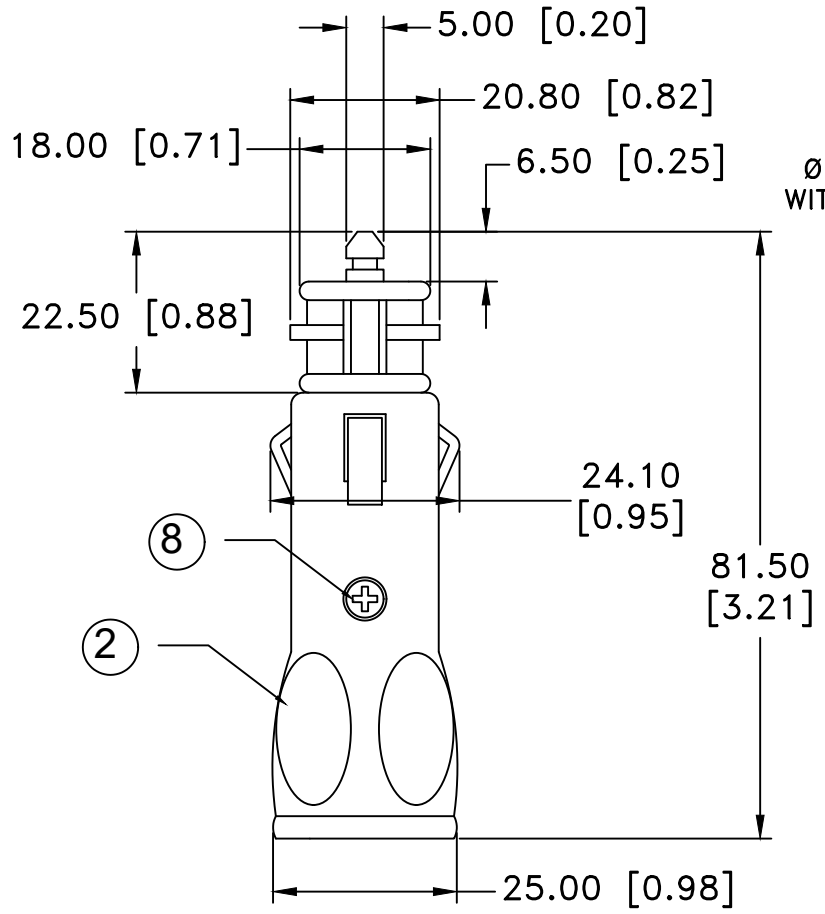


Date	SYM	REVISION RECORD	AUTH	DR.	CK.
02/23/22	F	DIM. 81.50 WAS 82.55 ITEM 3 CAP MATERIAL WAS NYLON 66	T.B.	B.S.	
12/23/22	G	ADDED CE LISTED TO NOTE	T.B.	B.S.	
03/02/23	H	ADDED DIM. 12.00	T.B.	B.S.	



NOTE:  
 MAXIMUM RATING: 5AMP.  
 ROHS COMPLIANT  
 REMOVE THE RED CAP FOR DIN 4165  
 APPLICATION  
 CE LISTED

ITEM NO.	PART NAME	MATL. SPECIFICATION	Tolerance (Except as noted)	MPD Memory Protection Devices, Inc 200 Broad Hollow Road, Farmingdale, New York 11735		
1	BOTTOM COVER	ABS, UL94-HB, FILE NO. E56070(S)	decimal ±.020 (.5)	Title	CIGARETTE LIGHTER PLUG FOR 21mm WITHOUT RED CAP OR 22.2 mm WITH RED CAP OR DIN 4165	Scale
2	TOP COVER	ABS, UL94-HB, FILE NO. E56070(S)				
3	CAP	PC	Angular ± 3°	03/02/23	AP-124	Drawn By B.S.
4	COPPER WIRE	BRASS, NICKEL PLATED				Approved By T.B.
5	FUSE	5 AMP				
6	+VE SPRING	PHOSPH. COPPER, NICKEL PLTD				
7	-VE SPRING	BRASS, NICKEL PLATED				
8	SELF TAPPING SCREW	STEEL				
9	SELF TAPPING SCREW	STEEL				