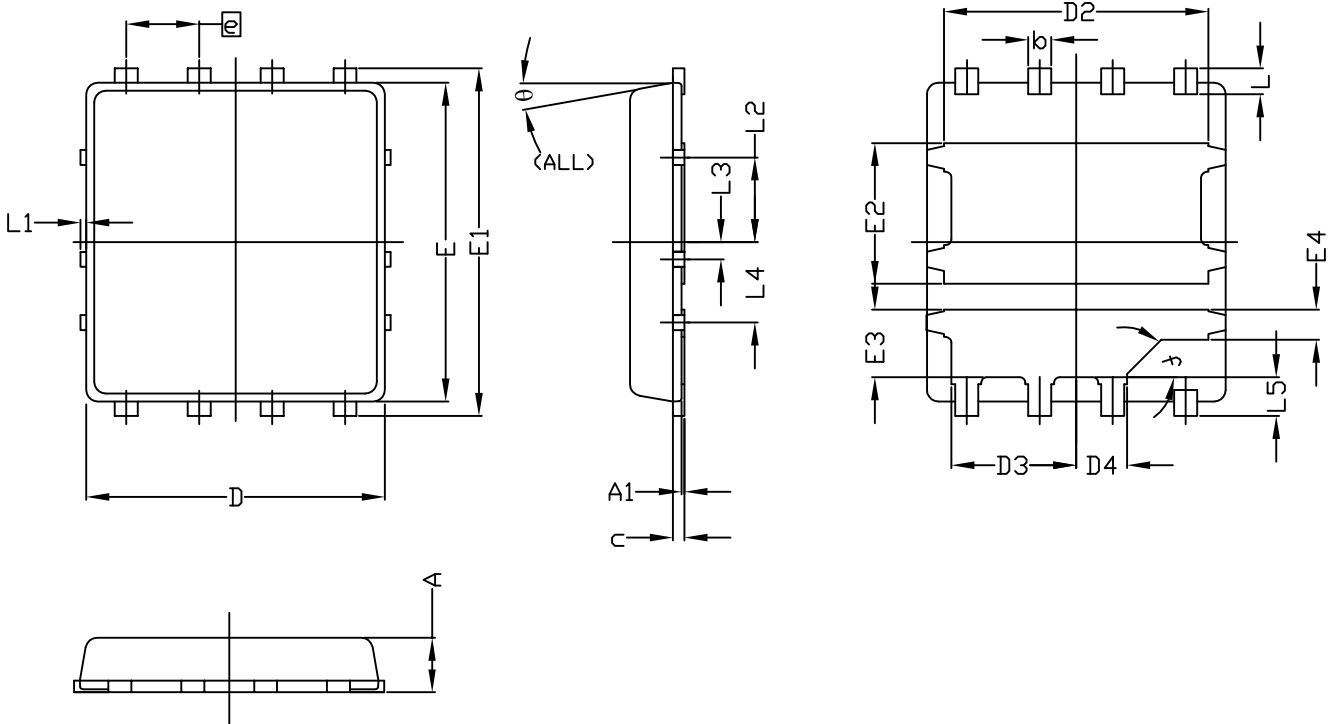
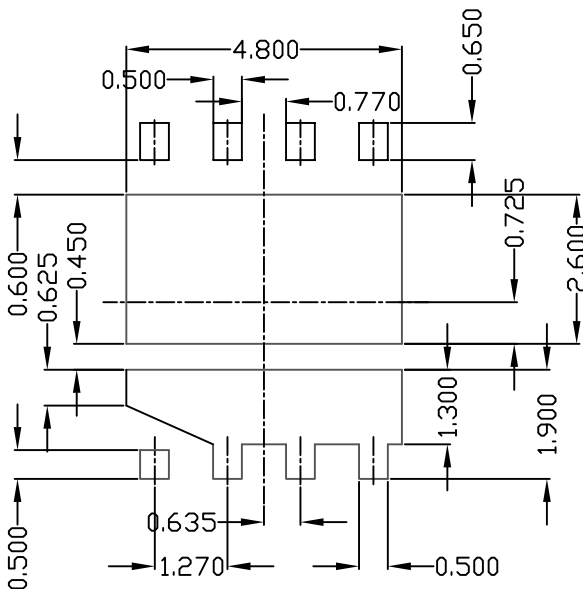




DFN5x6B_8L_EP2_P PACKAGE OUTLINE



RECOMMENDED LAND PATTERN



SYMBOLS	DIMENSIONS IN MILLIMETERS			DIMENSIONS IN INCHES		
	MIN	NOM	MAX	MIN	NOM	MAX
A	0.85	0.90	1.00	0.033	0.035	0.039
A1	0.00	---	0.05	0.000	---	0.002
b	0.35	0.40	0.45	0.014	0.016	0.018
c	0.15	0.20	0.25	0.006	0.008	0.010
D	5.20 BSC			0.205 BSC		
D2	4.50	4.60	4.70	0.177	0.181	0.185
D3	2.125	2.175	2.225	0.084	0.086	0.088
D4	0.835	0.885	0.935	0.033	0.035	0.037
E	5.55 BSC			0.219 BSC		
E1	6.05 BSC			0.238 BSC		
E2	2.10	---	2.50	0.083	---	0.098
E3	1.10	---	1.225	0.043	---	0.048
E4	0.45	---	0.575	0.018	---	0.023
e	1.27 BSC			0.050 BSC		
L	0.35	0.45	0.55	0.014	0.018	0.022
L1	0	---	0.10	0	---	0.004
L2	1.375	1.475	1.575	0.054	0.058	0.062
L3	0.20	0.30	0.40	0.008	0.012	0.016
L4	1.30	1.40	1.50	0.051	0.055	0.059
L5	0.575	0.675	0.775	0.023	0.027	0.031
f	45°			45°		
θ	0°	---	10°	0°	---	10°

UNIT: mm

NOTE

1. PACKAGE BODY SIZES EXCLUDE MOLD FLASH AND GATE BURRS.
MOLD FLASH AT THE NON-LEAD SIDES SHOULD BE LESS THAN 6 MILS EACH.
2. CONTROLLING DIMENSION IS MILLIMETER.
CONVERTED INCH DIMENSIONS ARE NOT NECESSARILY EXACT.