

S SW FS - S01 - A E 11 - HWH - C20

SUNTSU

SWITCH

FOOT SWITCH

SERIES NUMBER

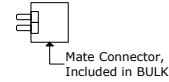
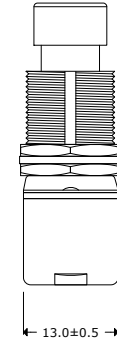
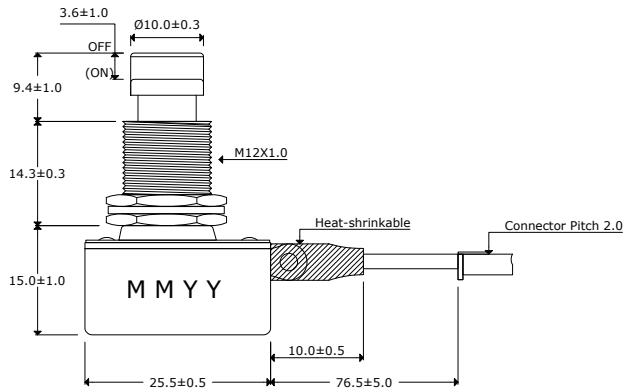
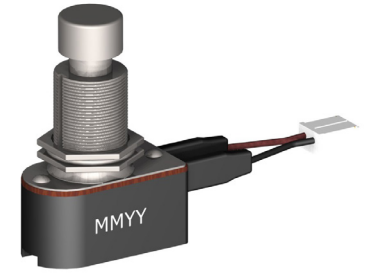
SWITCH FUNCTION
A : SPST OFF-(ON)

TERMINAL CODE
11 : Wire

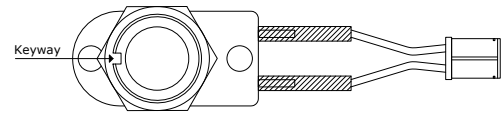
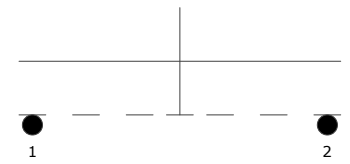
BUSHING AND BUTTON SPEC
E : Button 10.0Ø, Bushing 14.3mm

ACCESSORIES
H : Hex Nut
W : Spring Washer

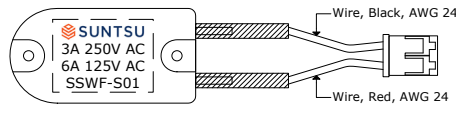
CONNECTOR
C20 : W/ Connector
Pitch 2.0mm



Test Circuit

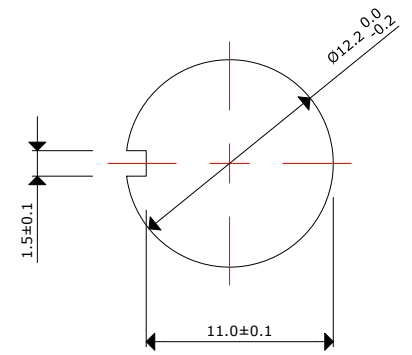


Top View



Bottom View

Mounting Hole



Electrical Parameters:

- Rating: 6A 125V AC, 3A 250VAC
- Contact Resistance: 50mΩ Max
- Insulation Resistance: DC 500V 100MΩ Min.
- Dielectric Strength: AC 1500V 1 minute
- Operation Temperature: -20°C ~ 65°C
- Switch Function: 2P SPST OFF-(ON), PUSH ON
- Accessories 2 HEX Nut & 1 SPRING Washer Assembly, Mate Connector in Bulk

Materials:

- Frame: Black, PF
- Actuator: Ni-plated, Brass
- Terminals: Silver plated, Copper Alloy

Remarks:

- 500pcs per master carton
- Electrical life 20,000 cycles
- Mechanical life 100,000 cycles



Momentary Foot Switch

| Document History | | | |
|------------------|------------|------------|-------------|
| Edits Made | Date | Edited By | Approved By |
| Initial Release | 09/07/2021 | B. Gibbons | KH Mun |
| | | | |
| | | | |
| | | | |

| | | | | |
|----------|------------------------|-----------|------------|------------|
| Part No. | SSWFS-S01-AE11-HWH-C20 | Drawn | B. Gibbons | 09/07/2021 |
| Scale | Not drawn to scale | Tolerance | | |
| Unit | mm | Pages | | |