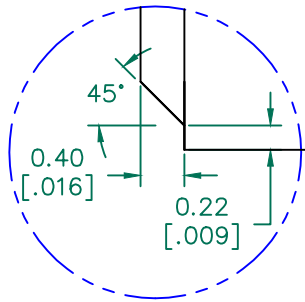
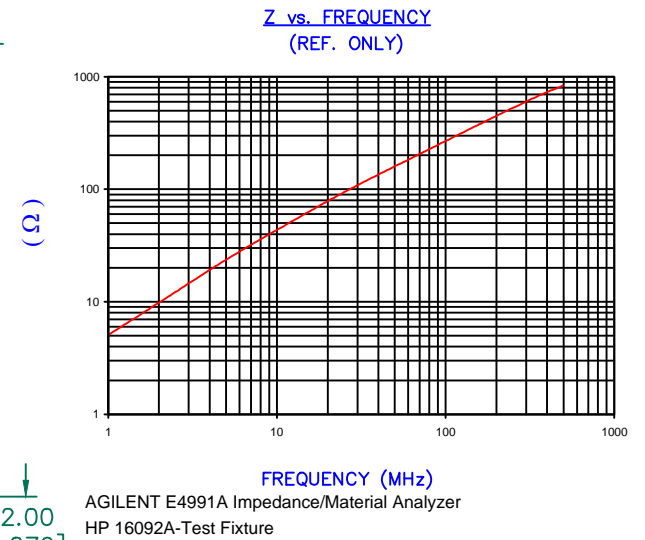
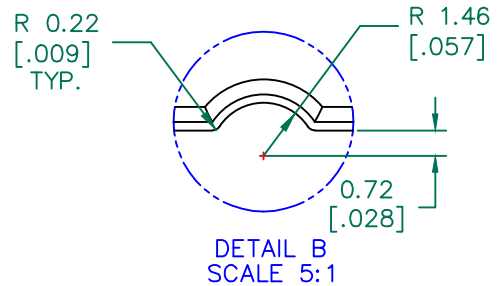


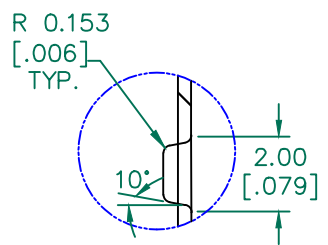
IMPEDANCE (Z)			
Frequency	25 MHz	100 MHz	300 MHz
Nominal (REF)	100 Ω	280 Ω	590 Ω
Minimum	- Ω	224 Ω	- Ω



DETAIL A
SCALE 13:1



DETAIL B
SCALE 5:1



DETAIL C
SCALE 4.5:1

FERRITE CORE DIMENSIONS (SPEC): mm [in]

A	63.50 [2.500]	±	1.27 [.050]
B	52.07 [2.050]	±	1.02 [.040]
C	28.58 [1.125]	±	0.64 [.025]
D	6.35 [.250]	±	0.25 [.010]
E	0.84 [.033]	±	0.25 [.010]
F	7.62 [.300]	±	0.18 [.007]
G	31.75 [1.250]	±	0.76 [.030]
H	2.74 [.108]	±	0.25 [.010]
J	0.86 [.034]	±	0.25 [.010]

WEIGHT/1000 50.13 kgs 110.53 Lbs

NOTES: UNLESS OTHERWISE SPECIFIED

- COSMETIC SPECIFICATION REFER TO WI-QA-038.



DIMENSIONS ARE IN mm [INCHES]				This print is the property of Laird Tech. and is loaned in confidence subject to return upon request and with the understanding that no copies shall be made without the written consent of Laird Tech. All rights to design or invention are reserved.						
K	UPDATE LOGO	08/29/16	QIU							
J	CHANGE DETALL C	07/09/10	JUN							
H	UPDATE LOGO CHANGE DIMPLE DESIGN UPDATE C DETAILS	10/16/08	JRK							
G	UPDATE PRINT FORMAT & Z SPECS ADD CURVE	07/09/03	JRK							
F	UPDATE PRINT FOR ELECTRONIC DATABASE CHG. RAD ".120" TO DIA. ".120" CORR. Z MIN @100 FROM 193 TO 189	10/30/00	JAJ							
PROJECT/PART NUMBER:				28S2001-000	REV	K	PART TYPE:	FERRITE SPLIT RIBBON	DRAWN BY:	LNK
DATE:				03/30/96	SCALE:	1.5 : 1	MATERIAL:			
CAD #				28S2001-000-K	TOOL #	S2001	Ferrite			
REV	DESCRIPTION	DATE	INT							