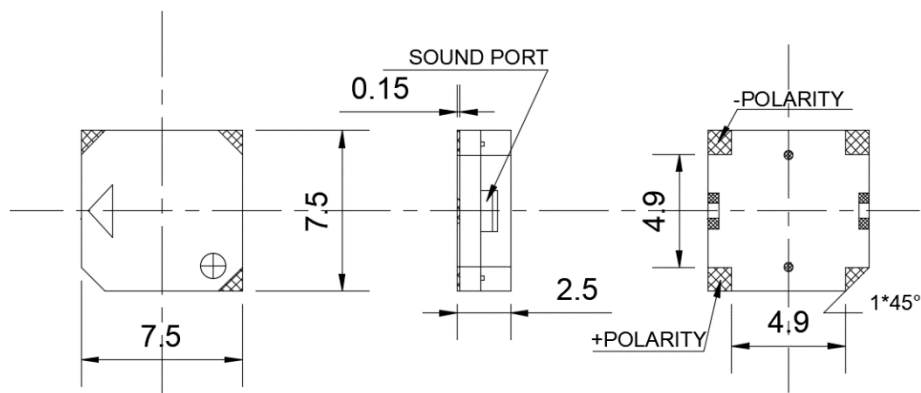


**Sales Outline Drawing**Revision **C**

**May not be suitable for all Medical and Aerospace applications.  
Contact Mallory Sonalert to discuss your application.**

**NO CIRCUITRY**

|                                       |                                   |
|---------------------------------------|-----------------------------------|
| Oscillation Frequency (Hz)            | 2700 ± 500                        |
| Operating Voltage (V <sub>p-p</sub> ) | 2.5 ~ 4.5                         |
| Rated Voltage (V <sub>p-p</sub> )     | 3.6                               |
| Current Consumption Max. (mA)         | 100 at Rated Voltage              |
| Sound Pressure Level (dB/min)         | 85 at 10cm at Rated Voltage       |
| Coil Resistance (Ω)                   | 16 ± 3                            |
| Operating Temperature (°C)            | -40 ~ +85                         |
| Storage Temperature (°C)              | -50 ~ +95                         |
| Type of Connection Terminal           | SMD                               |
| Housing                               | LCP plastic resin (Color : Black) |
| Weight (Grams)                        | 0.8                               |
| Condition by reflow soldering (°C)    | 250 ± 5 / within 10 sec           |
| Condition by hand soldering (°C)      | 350 ± 20 / within 5 sec           |
| Options                               | For other options contact factory |

**Dimensions:** (units: mm)**RoHS Compliant****Packaging:**

Parts are supplied on tape and reel; 1000 pieces per reel.

Units do not come with wash label and are not appropriate for aqueous wash.

