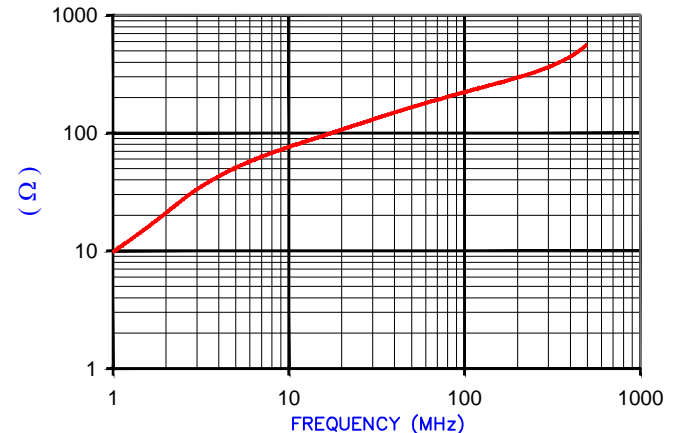
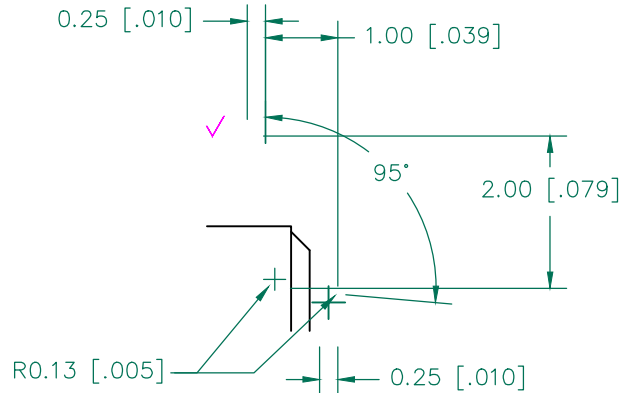


IMPEDANCE (Z)			
Frequency	25 MHz	100 MHz	300 MHz
Nominal (REF)	120 Ω	220 Ω	360 Ω
Minimum	- Ω	176 Ω	- Ω

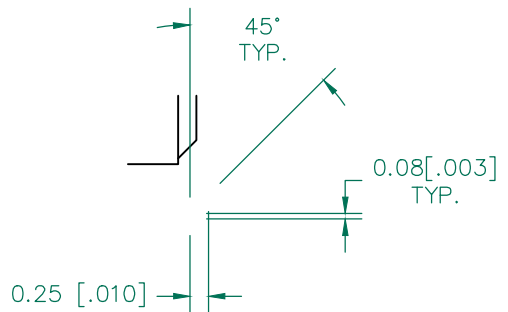
Z vs. FREQUENCY
(REF. ONLY)



AGILENT E4991A Impedance/Material Analyzer
HP 16092A-Test Fixture REF# 3219



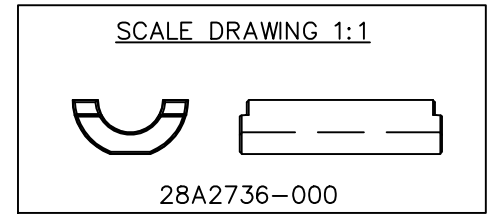
DETAIL "A"
SCALE 10 : 1



DETAIL "B"
SCALE 10 : 1

FERRITE CORE DIMENSIONS (SPEC): mm [in]

A	16.00 [.630]	±	0.30 [.012]
B	9.00 [.354]	±	0.30 [.012]
C	28.00 [1.102]	+	0.50 [.020]
		-	0.30 [.012]
D	7.50 [.295]	±	0.20 [.008]
E	5.60 [.220]	±	0.30 [.012]
WEIGHT/1000	9.09 kgs		[20.04 lbs]



DIMENSIONS ARE IN mm [INCHES].				This print is the property of Laird Tech. and is loaned in confidence subject to return upon request and with the understanding that no copies shall be made without the written consent of Laird Tech. All rights to design or invention are reserved.				
REV	DESCRIPTION	DATE	INT					
F	UPDATE DIMENSION AND TEMPLATE	10/15/10	Jcai	PROJECT/PART NUMBER:		REV	PART TYPE:	DRAWN BY:
E	UPDATE Z SPECS AND COMPANY LOGO	07/12/07	JRK	28A2736-000		F	FERRITE SPLIT CORE	TMB
D	UPDATE Z SPEC 100 MHZ MIN VALUE	12/08/06	TMB	DATE:		SCALE: 2 : 1		MATERIAL:
C	CHG Z SPEC @100 MHZ ADD TEST REF#	12/20/04	JRK	10/23/02				Ferrite
B	CHANGE PRINT FORMAT CHANGE Z SPECS AND ADD CURVE	06/26/03	TMB	CAD #		TOOL #		
A	ORIGINAL DRAFT	10/23/02	TMB	28A2736-000-F		A2736		
REV	DESCRIPTION	DATE	INT					