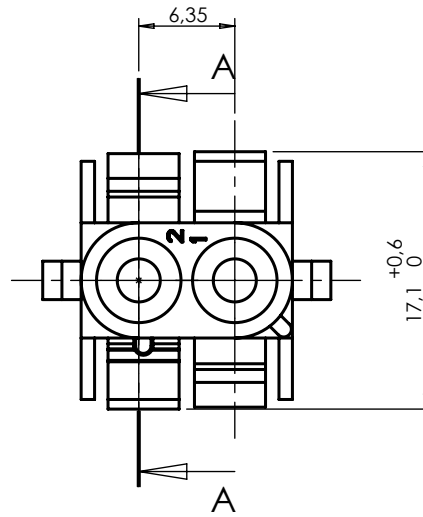
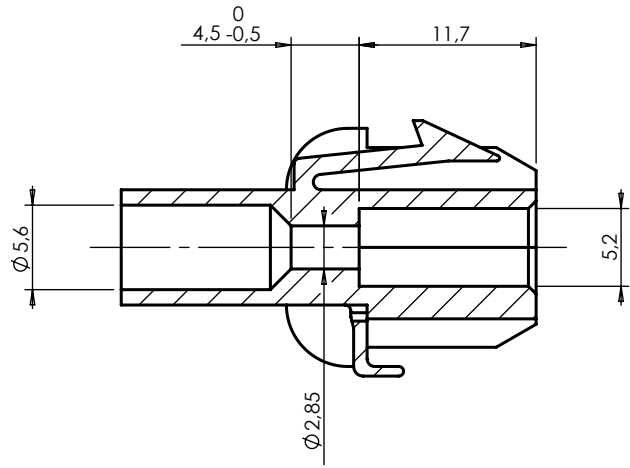
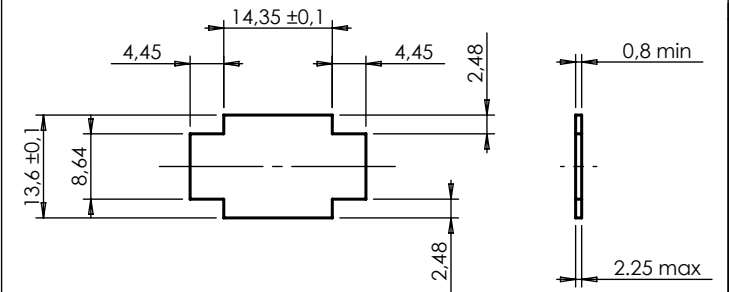


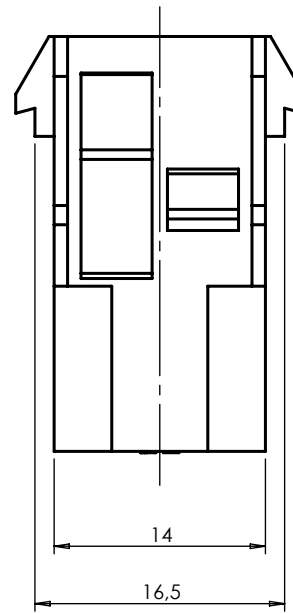
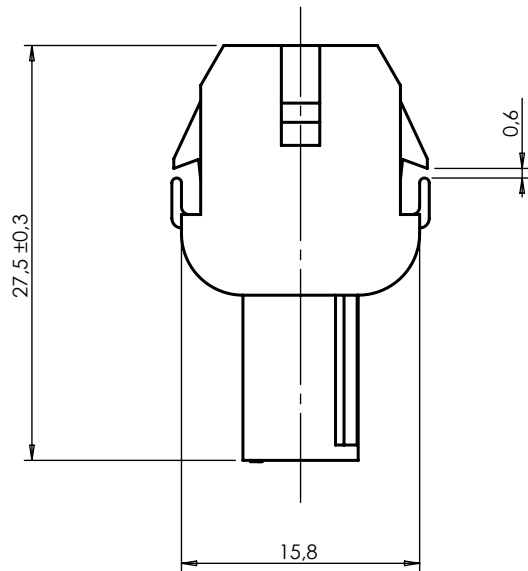
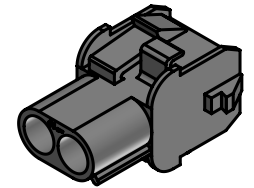
### SEZIONE A-A



### DISEGNO TAGLIO LAMIERA



SCALA 1 : 1



5	Added UL & CSA symbols	08-11-2011
4	Updated raw materials table and title box	23-02-2011
3	Updated drawing	10-11-2005
2	Updated total weight	27-03-2002
1	Updated tolerances	02-12-1999
INDEX	MODIFICATION	DATE



**CS S.r.l.**  
 20063 CERNUSCO S/N - VIA COMO, 11  
 TEL +39.02.9210.7404 - FAX +39.02.9210.0217  
 http://www.csconnectors.com - e-mail: info@csconnectors.com



CHECKED BY Stefano Galimberti	DATE 10-06-2016	DESIGN UNITS METRIC
DRAWN BY Luca Viscardi	DATE 10-06-2016	WEIGHT 2.12 g
CAD REFER Y:\dis\cs\lk\02vie\f\	SIZE A4	SCALE 2:1
		INDEX 0 15-11-1997

DIMENSIONS WITHOUT TOLERANCES				CS-LK02F r5	PA66 UL94 V-2
A ±2°	0 - 6	±0.1	CS-LK02F r5V0	PA6/66 UL94 V-0	
	6 - 30	±0.2	CS-LK02F r5STY	PA46 UL94 V-2	
	> 30	±0.3	CS-LK02F r5V0750NF	PA66 UL94 V-0 GWIT 775	
			CS-LK02F r5-G	PA6 UL94 V-2 GWIT 775	
			PART NUMBER	MATERIAL	

BASE CODE	DESCRIPTION
CS-LK02F r5	2 poles cap housing for LK series terminal Ø2.12 mm