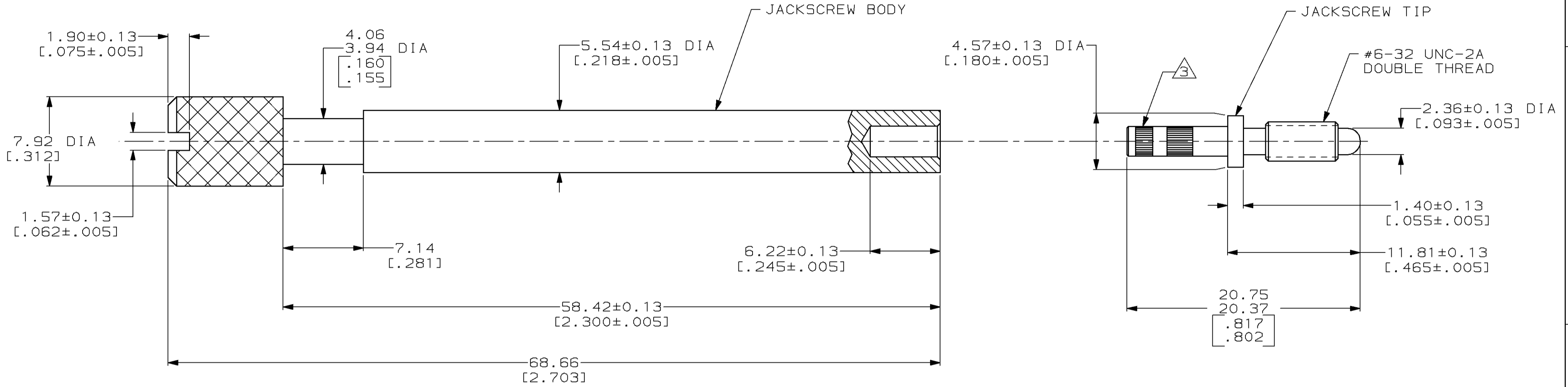
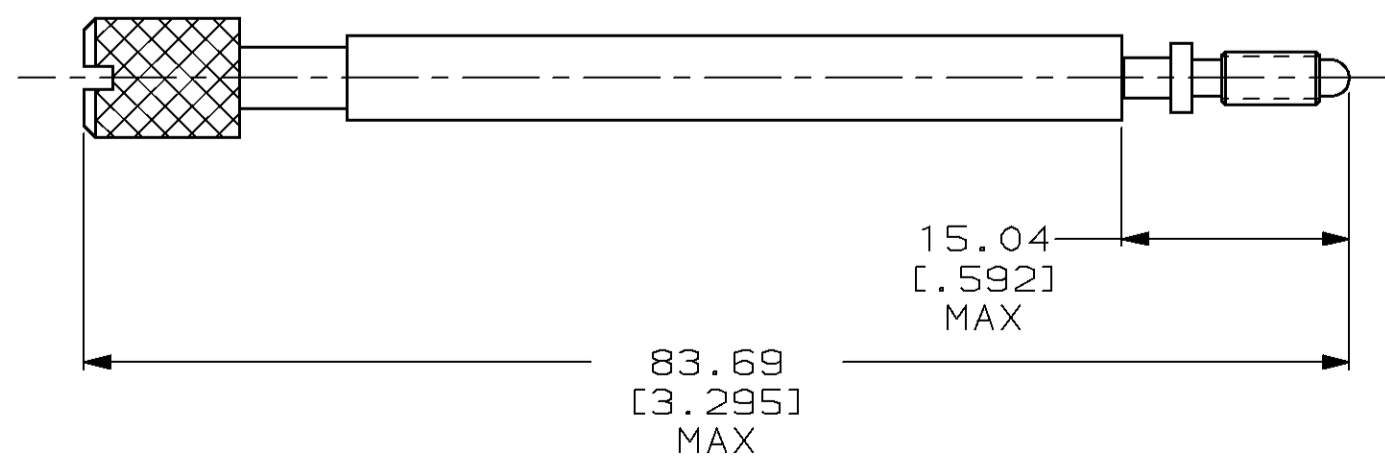


THIS DRAWING IS UNPUBLISHED. RELEASED FOR PUBLICATION
 BY AMP INCORPORATED. ALL RIGHTS RESERVED.

LOC	DIST	REVISIONS			
P	LTR	DESCRIPTION	DATE	DWN	APVD
FT	8	F	REDRAWN W/O CHANGE PER EC 0020-289-96	07 AUG 96	-



- 1 JACKSCREW BODY: BRASS.
JACKSCREW TIP: STAINLESS STEEL.
- 2 JACKSCREW BODY: 5.08µm [.000200] MIN NICKEL.
- 3 TIP KNURLED 2 PLC FOR PRESS FIT.



ASSEMBLED VIEW

205268-1
 PART NUMBER

THIS DRAWING IS A CONTROLLED DOCUMENT.		DWN B. CARBO	07 AUG 96	AMP Incorporated Harrisburg, PA 17105-3608
DIMENSIONS: mm [INCHES]		CHK R. STONE	04 JUN 97	
TOLERANCES UNLESS OTHERWISE SPECIFIED:		APVD G. STEINHAEUER	02 SEP 97	
0 PLC ±- 1 PLC ±- 2 PLC ±0.38 [.015] 3 PLC ±- 4 PLC ±- ANGLES ±- FINISH ±-		NAME G. STEINHAEUER	PRODUCT SPEC -	
MATERIAL	1	APPLICATION SPEC	-	SIZE A2
MATERIAL		WEIGHT	-	CAGE CODE 00779
FINISH		CUSTOMER DRAWING	-	DRAWING NO C-205268
SCALE		4:1		SHEET 1 OF 1
REV		F		

205268

B

A