

1

2

3

4

5

6

7

A

B

C

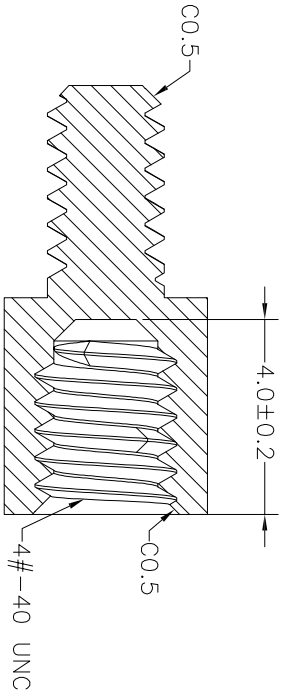
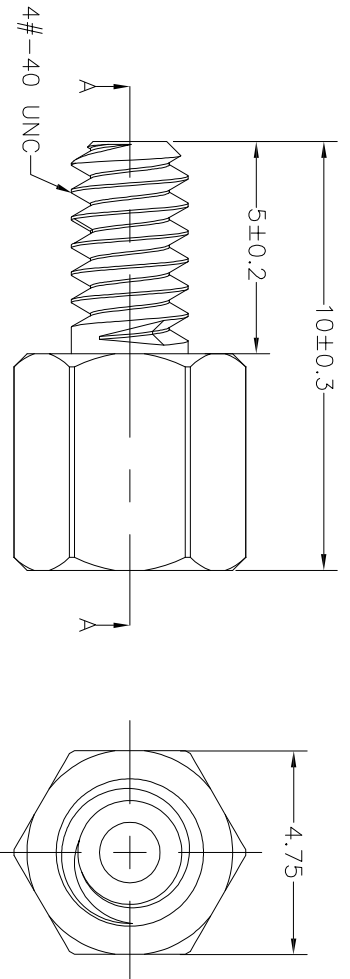
D

E

F

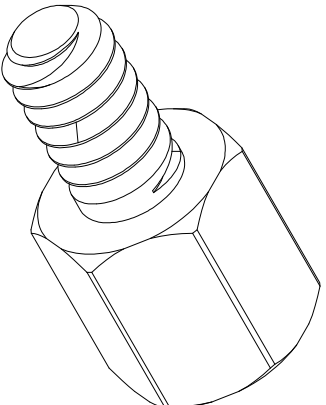
G

H



SEC:A-A

- Notes:
1. Material: Brass C3604.
 2. Requirements: Bright nickel 100u" Min, salt spray 48H.
 3. The appearance of the product is smooth without obvious veins.



RoHS compliant

Unit: mm

Scale	Free	Customer-No.	
TOLERANCE		Drawn	03.12.2018
.X	±0.15	Segal	
.XX	±0.10	Approved	03.12.2018
DIM	TOL		
X.°	±1.0°		
.X°	±0.5°		
Angle	TOL		

Id.	Modification	Date	Name
①	Drawn	03.12.2018	Segal

Date	Name	Customer-No.
03.12.2018	Segal	
03.12.2018	Amy	

Drawing-No.	Replace	Sheet
ASSMANN WSW-No. ASCW-000-01EB10		
ASSMANN 8261 CO		rev00

1

2

3

4

5

6

7

SV4396