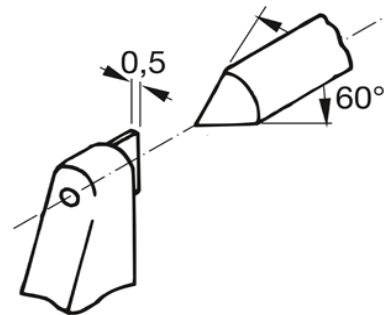


LOC	DIST	REVISIONS					
A1	00	P	LTR	DESCRIPTION	DATE	DWN	APVD
			C1	ECR-14-010161	07JUL14	LS	GS

Digital external micrometer with measuring tip 0-20 mm
 Digitale Bügelmessschraube mit Messspitze 0-20mm



Micrometer with calibration and calibration certificate!





RELEASED FOR PUBLICATION -,-

ALL INTERNATIONAL RIGHT RESERVED.

THIS DRAWING IS UNPUBLISHED.



DIMENSION:	DWN	12FEB13	MATERIAL	FINISH			
mm	L. Sandhu						
TOLERANCES UNLESS OTHERWISE SPECIFIED: 0 PLC ± - 1 PLC ± - 2 PLC ± - 3 PLC ± - 4 PLC ± - ANGLES ± -	CHK	12FEB13	 TE Connectivity				
	G. Stegmayer						
	APVD	12FEB13					
	G. Stegmayer		NAME	MICROMETER, PEAK Buegelmessschraube, Messspitze			
	PRODUCT SPEC		SIZE	CAGE CODE	DRAWING NO.	RESTRICTED TO	
	APPLICATION SPEC		A4	00779	 547203-1	—	
	WEIGHT	- kg	CUSTOMER DRAWING		SCALE	SHEET	REV
					-	1 of 1	C1

