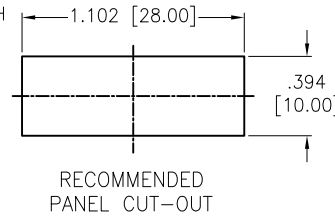
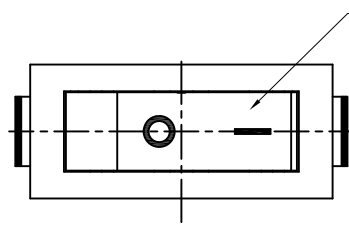


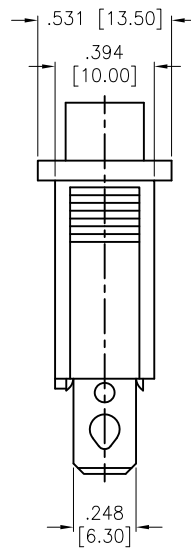
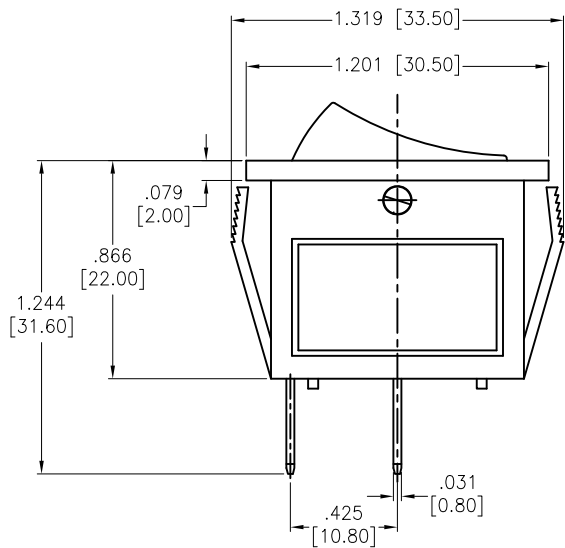
APPROVED: _____
 DATE: _____ TITLE: _____

Rev	AWO #	Description	Date	Appr
-		RELEASED	9/2/21	



CIRCUIT DIAGRAM
(SPST) ON-OFF

CIRCUIT DIAGRAM
(SPST) OFF-(ON)



A=ON-OFF
 C=OFF-(ON)
 SW-R1-1X-E-XX-0

	Actuator Color
BLANK	Standard Black
W	White
R	Red
G	Green
Y	Yellow (Amber)
B	Blue
O	Orange

	Actuator Markings
1	
2	
3	
4	
5	
6	

Replace "x" in P/N with the corresponding switch color and marking

SPECIFICATIONS:

Body: Nylon 66, Color Black, Rated UL 94V-0
 Terminal: Brass, Silver plated

Button: Nylon 66, Solid color, White color markings. (See Chart)

Electrical:

The rated load: 250V AC, 15A
 125V AC, 20A

Contact resistance: 50 mohms max
 Insulation resistance: 100 Mohms min

Dielectric withstanding voltage: 1500 VAC/5S min

Mechanical:

Electrical life: 10000 Cycles min

Temperature Rating:

Operating temperature: -25°C to +85°C

Environmental:

Lead free, RoHS compliant



UNLESS OTHERWISE SPECIFIED
 ALL DIMENSIONS ARE INCHES [MM]
 TOLERANCES: EXCEPT AS NOTED
 INCHES HOLES

.X ± .10	∅X ± .10
.XX ± .020	∅XX ± .015
.XXX ± .015	∅XXX ± .010



909 Rahway Avenue,
 Union, NJ 07083
 Phone: 908-687-5000
 Fax: 908-687-5710

APPROVALS		DATE
DRAWN	WX	9/2/21
CHECKED	RC	9/2/21
APPROVED		

TITLE SWITCH, MEDIUM ROCKER, SPST, ON-OFF, OFF-(ON), QC .250 [6.35MM]		
SIZE X	PART NO. SW-R1-1X-E-XX-0	REV. -
REF: S00206C	SCALE: NTS	SHEET 1 OF 1