

FUSES

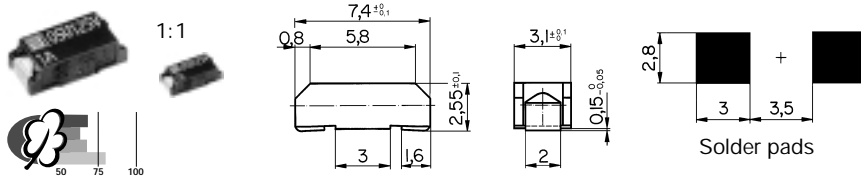
Non resettable fuses

OSU 125

Telecom

Surface Mount Fuses NEW Type OSU 125

available in lead-free version
directly solderable on printed circuit boards or pluggable into surface mount fuseholder

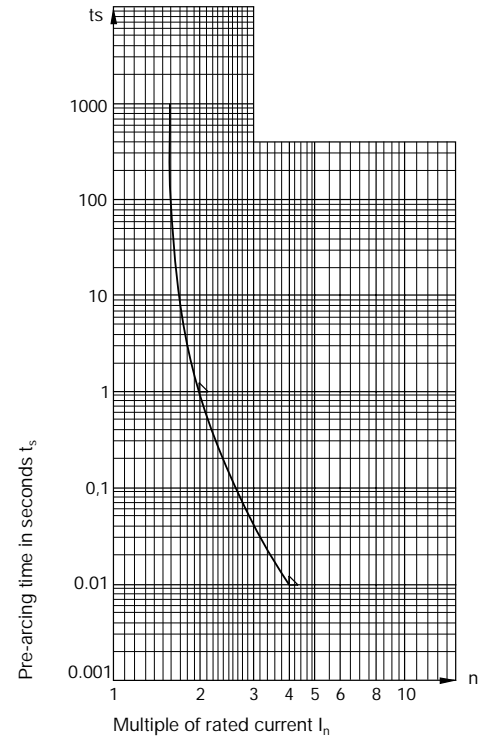


Approvals, Patents



for wave and reflow soldering.

Patents in U.S. (No. 4,851,806) and in further countries



Pre-arcing time/current characteristic (at T_a 23 °C)

Rated current I_n	$n \cdot I_n$		
	$1 \cdot I_n^*$	$2 \cdot I_n$	$4 \cdot I_n$
	min.	max.	max.
0,25 – 3,15 A	4 h	1 s	10 ms

* Non fusing current I_{nf}

Standards

UL 248-14
CSA C22.2 No. 248.14
ITU-T K.20/UL 1459/GR 1089

The standards do not contain requirements for fig. 1–5. Therefore test-agencies do not carry out tests

Breaking capacity

100 A / 125 V AC/DC
p.f. / cos φ 1

Order No.	Rated current I_n Rated voltage U_n	Voltage drop at I_n , typ. mV	Sustained power dissipation at $1 \cdot I_n$ typ. mW	Pre-arcing I^2t at $4 \cdot I_n$ typ. A ² s	ITU-T K.20			UL 1459	GR 1089
					Fig. 1 Lightning Surge 10x1 kV/ 10/700 μ s I_{puls} max. A	Fig. 2 Power Induction AC 300 V / 0,5 A 5 x 200 ms A	Fig. 3 Power Contact AC 250 V 15 min I_{SC} max. A	Fig. 4 AC 600 V 40A / 1,5s 7A / 5s 2,2A / 30 min A	Fig. 5 1000 V 50 x 10/ 1000 μ s I_{puls} max.
2060.0006.XX	250 mA / 125 V	990	250	$5,8 \cdot 10^{-3}$	2,5		50	< 1,5	
2060.0043.XX	350 mA / 125 V	430	150	$8,4 \cdot 10^{-3}$	4		25	< 1,5	
2060.0007.XX	400 mA / 125 V	360	140	$9,6 \cdot 10^{-2}$	5,8	•	25	< 1,5	
2060.0045.XX	500 mA / 125 V	350	180	$1,6 \cdot 10^{-2}$	7,7	•	25	2,5	
2060.0008.XX	630 mA / 125 V	350	220	$2,3 \cdot 10^{-2}$	10	•	25	4,6	
2060.0046.XX	750 mA / 125 V	300	230	$5,2 \cdot 10^{-2}$	13	•	25	7	
2060.0009.XX	1 A / 125 V	220	220	$8,6 \cdot 10^{-2}$	16	•	25	9,3	
2060.0010.XX	1,25 A / 125 V	220	280	$1,4 \cdot 10^{-1}$	25	•	25	14 ⁽⁶⁾	
2060.0011.XX	1,6 A / 125 V	200	320	$2,7 \cdot 10^{-1}$	33	•	12,5	14 ⁽⁶⁾	
2060.0012.XX	2 A / 125 V	200	400	$4,4 \cdot 10^{-1}$	45	•	8,3	14 ⁽⁶⁾	
2060.0013.XX	2,5 A / 125 V	190	480	$7,9 \cdot 10^{-1}$	67 ⁽¹⁾	•	8,3	14 ⁽⁶⁾	
2060.0048.XX	3,15 A / 125 V	190	600	1,1	67 ⁽¹⁾	•	8,3	14 ⁽⁶⁾	

XX Packaging index

Explanation for fig. 1–5 and index ⁽¹⁾ / ⁽⁶⁾ see pages 210–213

⁽⁶⁾ test carried out

• New .XX.BF for lead-free version

Additional technical data and packaging see page 125



Suitable surface mount fuseholder see page 182

FUSES

Non resettable fuses

OSU 125, OSU 250

Telecom

Technical data and packaging

Types OSU 125
OSU 250

Additional technical data

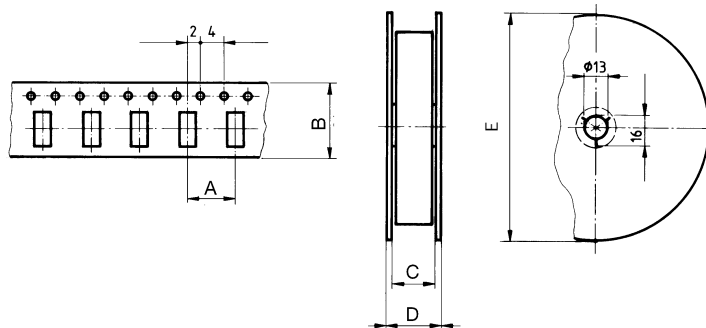
Ambient temperature max. T_a	- 40 °C to + 85 °C
Permissible continuous operating current at 23 °C	OSU 125: $0,7 \times I_n$ Shift of the rated current at ambient air temperatures > 23 °C OSU 250: $0,8 \times I_n$ see diagramm on page 44
Resistance to vibration	Frequency 10 ÷ 2000 Hz, cross-over frequency 60 Hz < 60 Hz constant Amplitude of 0,75 mm > 60 Hz constant acceleration of 100 m/s ² (10 g); OSU 250 V: 196 m/s ² (20 g) according to IEC 60068-2-6, Test Fc
Resistance to shock	981 m/s ² (100 g), 6 ms, IEC 60068-2-27 test Ea
Climatic category	GPF according to DIN 40040
Solderability (Reflow- and Wave soldering)	235 °C / 2 sec. IEC 60068-2-58 / testTd
Soldering heat resistance	260 °C / 10 sec. IEC 60068-2-58 / test Td
Fuse-link temperature rise ≤ 75 K (UL/CSA) /	trackwidth for: $I_n \leq 5$ A: ≤ 5 mm $I_n 6,3/7$ A ≥ 5 mm $I_n 8/10$ A ≥ 10 mm
Storage temperature max.	40 °C / 70% r. H
Materials Housing Terminals	Temperature resistant plastic, flammability class UL 94V-0 Brass, tin plated
Net weight pieces %	OSU 125: 10 g OSU 250: 35 g

Packaging

Box or tape	Type OSU 125	Type OSU 250
Boxes of 100 pieces	2060.XXXX.11	2070.XXXX.11
Taped and reeled 750 pieces	2060.XXXX.22	
Taped and reeled 2000 pieces		2070.XXXX.24
Taped and reeled 3000 pieces	2060.XXXX.24	

Blister tape and reel

according to IEC 60286-3



Types	Dimensions						
	A	B	C (max.)	D (max.)	E (750)	E (2000)	E (3000)
OSU 125	8	16	18,4	22,4	180		
OSU 250	8	24	26,4	30,4		330	330